

# 3" RECESSED MINI-ARC LED

**Applications:** Ambient Lighting, High-end Residences, Restaurants, Utility Spaces, Retail/Jewelry Display Casings, and all others where small aperture high lumen downlights are needed.

# LITON®

## ▶ LHBLD3 [HOUSING] / LR3L17 [TRIM]

**3" Mini-Arc LED** "With More Than 360 Lumens Delivered!"

▶ 3-inch recessed LED



### ▶ Features:

- Glare-Free 60° lamp/glare cut-off
- Integral LED driver for 120V/277V AC input
- Exceeds Energy Star LED downlighting requirement
- Thermally maintained for 40,000 Hour L70 Life
- Patent Pending ExternaCOOL™ Cooling Mechanism

### ▶ Options include:

- Remodel or New Construction Mounting
- Emergency Battery Back-Up

Hanger Bars



## LIGHTING DETAILS:

This product meets/exceeds **Energy Star** requirements for residential and commercial recessed downlighting **L.E.D.** lighting applications.

|                             | EQUIVALENTS                                       |
|-----------------------------|---|
| <b>9W LED 360+ Lumens</b>   | 60W A19<br>50W PAR20 FL<br>50W MR16 FL<br>18W CFL |
| <b>4W LED 275+ Lumens</b>   | 40W A19<br>20W MR16 FL                            |
| Estimated Lamp Life (L70)   | 9W: 40,000 Hrs.<br>4W: 50,000 Hrs.                |
| Color Rendering Index (CRI) | 80  |
| Color Temperature           | 3000K   |

CONSULT FACTORY FOR LM79 IES PHOTOMETRIC FILES

# LHBLD3 MINI-ARC LED HOUSING SERIES

3" Micro-Cast Energy Efficient LED Recessed Lighting Series

## APPLICATION

Architectural-grade recessed downlight housing for low to medium height ceilings and commercial installations. A variety of trims, compatible styles and finishes are available to achieve the proper décor and illumination.

## HOUSING

- Pre-wired housing adjusts up to a 1 1/4" ceiling thickness.
- Integral thermal protector to guard against improper lamping and installation.
- Housing provides an adjustable socket plate which allows for use of different lamp types.
- Trim is secured with torsion wing springs.

## MOUNTING

- Housing suitable for **new construction** installations only. **Hanger bars optional.**
- Accepts multiple hanger bar options for residential and commercial use.
- Bat-wing hanger bar brackets adjust vertically 3 1/4" for multiple ceiling types and accepts 1/2" EMT.
- Accepts HB24 adjustable hangers with nails for wood joists. 26" C-Channel Strut for T-bar ceilings and 27" adjustable linear hanger bars for plaster ceilings or wood/metal joists.
- Heavy duty 16-gauge, die-formed galvanized steel.

## LIGHTING DETAILS

| LED LAMP WATTAGE | LUMENS | CRI | COLOR TEMPERATURE | LED LAMP EQUIVALENTS                      | EST. LAMP LIFE (L70) |
|------------------|--------|-----|-------------------|---|----------------------|
| 9 Watts LED      | 360+   | 80  | 3000K             | 60W A19, 50W PAR20FL, 50W MR16FL, 18W CFL | 9W : 40,000 Hours    |
| 4 Watts LED      | 275+   | 80  | 3000K             | 40W A19, 20W MR16FL                       | 4W : 50,000 Hours    |

## LED DRIVER

Electronic Direct Current **LED driver** integrally mounted on electric junction box.

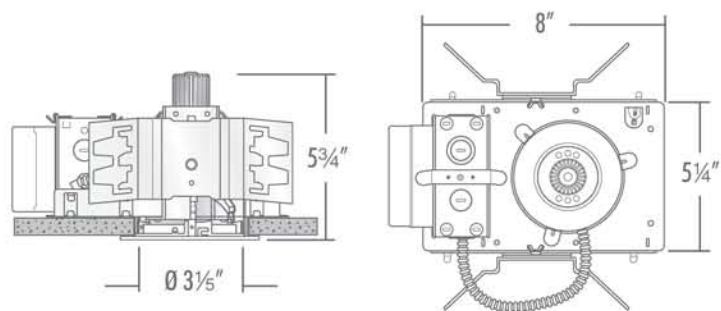
## POWER CONNECTION

LED lamp array is replaceable via on board **quick disconnect** terminal.

## THERMAL MANAGEMENT

Heat dissipation facilitated by integral **aluminum heat sink** to maximize heat rejection in an open air environment.

## HOUSING DIMENSIONS



## ORDERING

Ordering Example: LHBLD309C70UE/LR3L17B

| HOUSING                   | WATTAGE    | OPTIONS                            | TRIM RING FINISH*  |
|---------------------------|------------|------------------------------------|--------------------|
| LHBLD3 (New Construction) | 04C35 : 4W | Blank : Standard 120V              | /LR3L17W : White   |
| LHBLD3R (Remodel)**       | 09C70 : 9W | UE : 120/277V Input                | /LR3L17B : Black   |
|                           |            | -DIN : Incandescent 2-Wire Dimming | /LR3L17N : Natural |
|                           |            | -D10 : 0-10V 10% Dimming           | /LR3L17CO : Copper |
|                           |            | -DHL : Hilume 1% Dimming           | /LR3L17MO : Mocha  |

\* For Wet Location Rating add "-WL" to end of trim ring finish.

\*\* Remodel housing is not yet available for 277V or Dimming applications.

This product meets/exceeds **Energy Star requirements** for residential and commercial recessed downlighting L.E.D. lighting applications.

Consult Factory for LM79 IES photometric files.