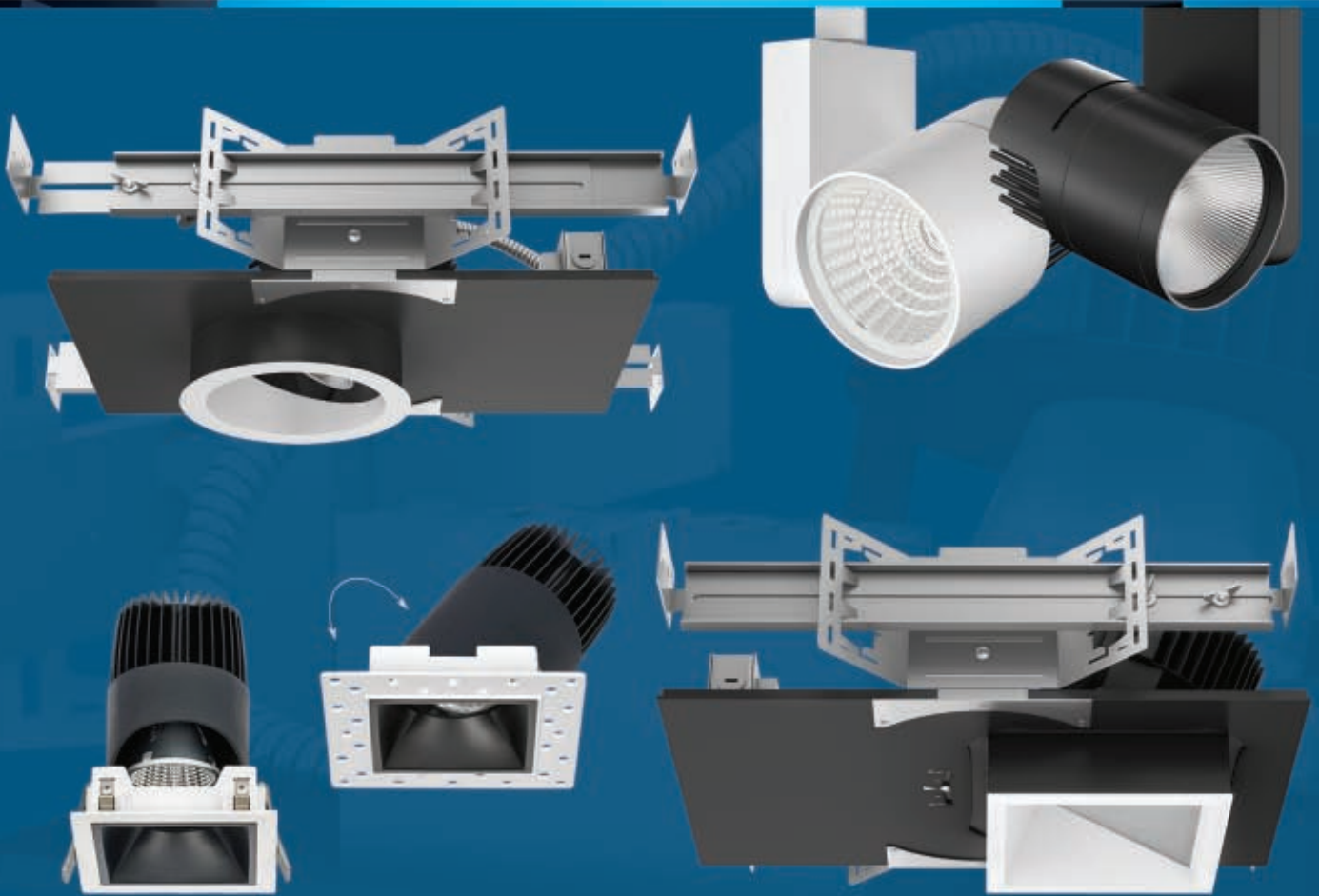


LITON[®]

L I G H T I N G

ARCHITECTURAL



SPECIFICATION LED

RECESSED / SURFACE AND TRACK LED LIGHTING

TABLE OF CONTENTS

THE COMPLETE LIGHTING SOLUTION

2-INCH RECESSED MINIARC LED DOWNLIGHT



REFLECTOR, ADJUSTABLE & MORE (450-600LM & 1,200LM) **10 - 13**

2.5-INCH MINIATURE LED ROUND RECESSED



FLANGED & FLANGELESS DOWNLIGHT (900-1,400LM) **14 - 15**

2.5-INCH MINIATURE LED SQUARE RECESSED



FLANGED & FLANGELESS DOWNLIGHT (900-1,400LM) **16 - 17**

3-INCH MINIATURE LED ROUND RECESSED



DOWNLIGHT, WALL WASH & MORE (550-650LM & 1,200LM) **18 - 21**

3-INCH MINIATURE LED SQUARE RECESSED



FLANGED & FLANGELESS SQUARE (600-1200LM) **22 - 25**

3.5-INCH LED RECESSED DOWNLIGHT



DOWNLIGHT, ADJUSTABLE & MORE (650 & 1200LM) **26 - 29**

3.5-INCH LED RECESSED FLANGELESS DOWNLIGHT



DOWNLIGHT, ADJUSTABLE & MORE (650 & 1,200LM) **30 - 33**

4-INCH LED RECESSED DOWNLIGHT



DOWNLIGHT (1,100/1,600LM • 2,000/3,000LM & 3,500LM) **34**

4-INCH LED RECESSED WALL WASH



WALL WASH (1,100/1,600LM • 2,000/3,000LM & 3,500LM) **35**

4-INCH LED RECESSED ADJUSTABLE ROUND



DOWNLIGHT (UP TO 4,000LM) **36 - 37**

4-INCH LED RECESSED ADJUSTABLE SQUARE



DOWNLIGHT (UP TO 4,000LM) **38 - 39**

4-INCH LED RECESSED SQUARE DOWNLIGHT



DOWNLIGHT (UP TO 4,000LM) **40 - 41**

TABLE OF CONTENTS

THE COMPLETE LIGHTING SOLUTION

6-INCH RECESSED LUMEN BLAST LED DOWNLIGHT



DOWNLIGHT FOR HIGH CEILINGS (6,000-10,000LM)

42 - 43

6-INCH LED RECESSED DOWNLIGHT



DOWNLIGHT (1,200/1,600LM • 2,000/3,000LM & 4,000LM)

44 - 45

6-INCH LED RECESSED ADJUSTABLE ROUND



DOWNLIGHT (UP TO 4,000LM)

46 - 47

6-INCH LED RECESSED ADJUSTABLE SQUARE



DOWNLIGHT (UP TO 4,000LM)

48 - 49

1-DIRECTIONAL LED WALL MOUNT



ROUND & SQUARE (850-1,250LM)

50 - 51

2-DIRECTIONAL LED WALL MOUNT



ROUND & SQUARE (2X)850LM - (2X)1,250LM

52 - 53

4 & 6-INCH SURFACE MOUNT LED DOWNLIGHT



ROUND & SQUARE (1,000-1,200LM)

54 - 55

6-INCH SURFACE MOUNT LED LUMEN CUBE



SURFACE MOUNT LUMEN CUBE (UP TO 4,000LM)

56

ECONOMY 6-INCH LED LUMEN CANNON



SURFACE MOUNT DOWNLIGHT (1,800LM & 2,800LM)

57

HIGH LUMEN 4-INCH LED LUMEN CANNON



LUMEN CANNON (UP TO 1,100LM)

58 - 61

HIGH LUMEN 6-INCH LED LUMEN CANNON



LUMEN CANNON (UP TO 6,000LM)

59 - 61

APOLLO LED TRACK LIGHTING



ARCHITECTURAL LED TRACK LIGHTING (1,100LM - 6,000LM)

62 - 65



▶ Corporate

As corporations worldwide become increasingly aware of the cost of energy and its effect on their bottom line, they demand solutions. Research shows that almost 30% of their energy budget goes towards the use and maintenance of inefficient lighting systems. Liton's versatile LED fixtures enhance efficiency, insure sustainability and provide the warmth and beauty of traditional lighting sources. Easily integrated into new lighting plans or existing remodel and retrofit projects, Liton LED fixtures can provide a productive and comfortable environment while generating substantial savings in overall energy costs.

Corporate Projects (Liton LED)

24 Hour Fitness HQ
Boeing Bldg. 42
Blue Cross/Blue Shield

GE Transportation
Goodyear HQ
Google HQ

Lockheed Martin
Northrop Grumman
Safeco Plaza

Time Warner
Union Bank

Well Fargo Tower
Uber Headquarters

Education

Whether a single classroom or a sprawling campus with several buildings, the learning institution must provide a well-lit but inviting environment. Energy cost containment may be important but the conservation of energy cannot come at the expense of learning. Liton LED fixtures offer many options such as color temperature, CRI, dimming, beamsread and adjustability which allows the customization of the lighting aspects of the classroom. This enhances the learning environment - all while realizing a significant reduction in energy consumption.



Education Projects (Liton LED)

Atlanta Metropolitan State College
Buffalo State College
Cal State University, San Marcos

Chapman University
John Tyler Community College
John R. Briggs Elementary

Northeastern University
University of Notre Dame
University of Evansville

Univ. of California, San Diego
Variety Club Research Center
Washington State University



▶ Entertainment

Whether large venue or small, nightclub or health club, hall, theater or arena, Liton LED has the variety and options necessary to light all or part of any entertainment facility and maximize energy savings. Imagine a movie theater using Liton LED downlights to light the lobby. How about using LinkaLED Bar, Tape or Puck lights to entice hungry customers to the concession stand? What about using Liton's LED rope light to safely guide employees and patrons to seats, restrooms and, more importantly, a clearly marked exit? And what about those restrooms? Liton has the LED products necessary for that need and almost any other. It's amazing to think that we were only discussing a movie theater. When you think of all of the different LED downlights, track heads, undercabinet and safety products that Liton produces, the possibilities are mind-boggling.

Entertainment Projects (Liton LED)

- | | | |
|---------------------------------|-------------------|-------------------|
| Austin ISD Performing Arts Ctr. | Hard Rock Casino | Paradise Casino |
| Ed Smith Stadium | Landmark Theaters | Sea World |
| Food Network (Kitchen) | Malco Theaters | Universal Studios |

Retail

All retail establishments are designed with one goal in mind: to merchandise product so that it sells quickly. Proper lighting plays an essential role in that process. A properly lit store will highlight product and displays, illuminate consumer pathways, give direction to key departments or facilities, including check out, and provide real and perceived security. Studies show that good lighting reduces shrinkage from theft and damage. Liton Lighting provides LED lighting fixtures for any retail environment. Finally, retailers work on very thin margins. Even the cost of lighting is figured into the cost of goods. Liton LED lighting can save as much as 25% in annual energy costs over inefficient lighting.



Retail Projects (Liton LED)

- | | | | |
|----------------|--------------------------------------|----------------|------------------|
| Bank of Tampa | Destinations - Dallas Int'l. Airport | Lewis Jewelers | Tiffany Jewelers |
| Cole Haan | Duty Free Americas | L'Occitane | Walmart Global |
| Crate & Barrel | HMS Host Destinations Dallas | Macy's | XFinity Store |
| David Yurman | Impressions | Osh Nursery | |



Hospitality

Warmth. Comfort. Elegance. The goal of the host is to make guests feel comfortable and want to come back. A wide range of small aperture LED downlights and task lights from Liton can help to set a welcoming tone for guests – whether they’ve come to work, play, sleep, dine or simply relax. With no sacrifice to physical comfort or visual elegance, Liton’s commitment to LED innovation delivers significant energy savings and an enhanced guest experience.

Hospitality Projects (Liton LED)

Courtyard Inn
Disney- Daar Guestrooms
Elms Hotel & Spa

Grand Hyatt
Hilton Garden Inns
Hyatt Regency

Marriott Biscayne Bay
Marriott Manhattan Beach
Marriott Desert Ridge

Ritz Carlton
Spring Hill Suites by Marriott
Trump Hotel

Restaurants

Whether a restaurant is designed for casual dining, fast food or intimate elegance, presentation is everything. In this highly competitive market, every aspect is important. Food, service, décor and atmosphere all require careful planning to succeed. Liton LED solutions light the way by providing the lighting tools and options necessary to achieve that all-important atmosphere and create an unforgettable dining experience.



Restaurants Projects (Liton LED)

Baja Fresh
Benihana
Carl's Jr.

Coffee Bean - Hilton
IHOP Restaurant
Johnny Rockets

Pinkberry
Starbucks
TGI Fridays

Wild Potato
Yo! Sushi



Government

Ever heard of the \$1000 ashtray? Yes, the government has had a way of wasting hard-earned taxpayer dollars. But ‘we the people’ have complained and, remarkably, they have listened. Government facilities must now achieve a 30% reduction in energy consumption based upon 2003 levels according to Executive Order 13423. By choosing Liton LED solutions you can achieve an overall 23% reduction in lighting costs alone. Not a bad start towards energy independence.

Government Projects (Liton LED)

42nd Military Police Barracks
Brighton City Hall
City of Creve Coeur

City of Gothenburg (Public Works)
City of Reno
Detroit Metro Airport

Erie County Convention Center
ESSE Museum
Fed. Reserve Bank of Kansas City

Minot Air Force Base
Tehachapi Police Department

Healthcare

Research shows that environment is an important part of patient treatment and recovery. Old-fashioned, inefficient CFL and incandescent lighting can create a depressing visual experience that affects patients and caregivers alike. Liton LED lighting fixtures are a powerful way to support the lighting design goals that are important to healthcare facilities. It improves the patient experience, enhances staff performance, and helps to reduce health care costs by reducing energy consumption.



Healthcare Projects (Liton LED)

Brookfield Veterinary Hospital
Cedars Sinai Medical Center
CMC Oncology Center
Colfax Health & Rehab Center

Elgin Community College
Hippocrates Health Institute
Indiana University Hospital

Mayo Clinic Health System
Sacred Heart Hospital
Sarasota Memorial Hospital

Savage Medical
Seven Seas Pediatric Dentistry
Vanderbilt-Ingram Cancer Ctr.



▶ Residential

As residential customers experience skyrocketing electricity rates, they have begun to count every single kilowatt. Porch lights are left off. They squint in darkened rooms trying to conserve every bit of energy they can. They scour their abodes seeking out every device that consumes a scintilla of phantom power. Selling a residence? Lighting is now an issue. Building a residence? Lighting is in the plans. Buying a residence? Lighting is a consideration. Previously, the only energy efficient solution was CFL, a compromise by any measure. Liton LED lighting fixtures provide outstanding energy efficiency but also provide all of the advantages of traditional technologies

including adjustability, beam spread control, dimming and more apertures than competing brands or lamping technologies. Liton LED fixtures can be price competitive as well with models in every price range.

House of Worship

Whether church or synagogue, cathedral, mosque or temple – houses of worship present unique challenges for lighting design. Congregants, clergy, staff and visitors come to these spaces with individual needs and expectations. Many of these facilities are multi-purpose and may have different lighting requirements for different functions. Architectural features, artwork, statuary, altars and other important furnishings may need special lighting. All of these situations present challenges easily met using Liton LED lighting. Need adjustability in a recessed LED downlight? How about fine beamspread control? Will dimming help to set the atmosphere? What about an LED track head that matches all of the characteristics of your downlights? Liton LED meets all of those requirements and more.



House of Worship Projects (Liton LED)

Destiny Worship Center
First United Methodist Church of Warren

Greenwood Episcopal Church
St. Patricks Church

Sun Prairie United Methodist Church
Temple Israel

Specialty Retail : Auto



Auto dealerships look for a visual edge over their competition when showcasing new models in their showrooms. Only the top-of-the-line, most fully-featured models are awarded that valuable real estate. Vehicles are polished and presented in a manner that justifies their cost and whets the appetite of the consumer. In the past, the lighting technology of choice was HID, known for intense color rendition and lots of sparkle. The downside was the finicky nature of that technology, the inability to dim metal halide lamps and the intense heat generated. Now LITON LED, with its high lumen output, choice of CCT and high CRI values, eliminates the downsides of HID and provides comparable output, consistent color rendering, better energy efficiency and lots of sparkle.

Specialty Retail : Automobile Dealership Projects by Liton LED

Airport Acura
BMW of Atlantic City
Brad Benson Auto Group (Hyundai)

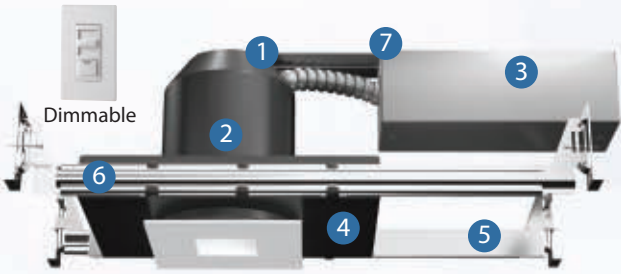
Kia Dealership of Santa Rosa
Mercedes Benz of Des Moines
Mercedes Benz of El Dorado Hills

Mercedes Benz of Los Angeles
Newport Lexus
Pohanka Nissan

Toyota of Abilene
Toyota of Medford
Toyota of Springfield
Triumph Motorcycle

2" RECESSED LED HOUSING 450 - 600Lm

DUAL PURPOSE | NEW CONSTRUCTION & REMODEL 10W/600 LM | 2 13/16" CEILING CUT OUT



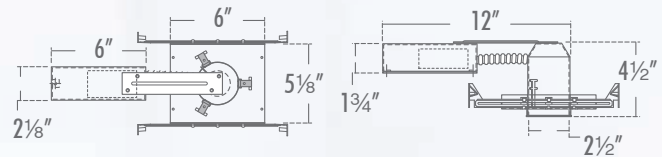
Dual Purpose housing is designed for New Construction and Remodel applications.

ARCHITECTURAL SPECIFICATION

Lumen Packages	10W, 600 Lumens
CCT	1700K, 2500K, 2700K, 2700K 90CRI, 2700 97CRI, 3000K, 3000K 90CRI, 3000K 97CRI, 3500K, and 4000K Binned to 3-step Macadam Ellipses.
CRI	80+ CRI, 90+ CRI Optional
Lumen Maintenance	Min. 50,000 hours L70 life based on ANSI TM-21 calculations from LM80 Standardized tests.
IC Rating	Non-IC, Must be kept 3" away from insulation.
Dimming Options	ELV 5%, Incandescent 5%, 0-10V
Emergency Options	EM: 8W, Includes Remote Test Switch, plate cover and j-box.
Input	120V, 120V/277V Universal Option

This miniature LED housing is perfect for low to medium height ceilings in residential and light commercial applications. Its small aperture makes it ideal for strategic placement where space is limited and energy savings is important. A variety of trim styles, finishes, beam spreads and wattages are available to achieve a desired look and lumen output.

- Dual Purpose housing is designed for New Construction and Remodel applications.
- Pre-wired .05" baked enamel 1-piece drawn steel. Integral thermal protector to guard against improper lamping and installation. Trim is secured with internal ClickLok™ locking mechanism.
- 16 gauge pre-wired galvanized steel Junction Box, 32 cubic-inch for a maximum of (8) #12 AWG wires. Furnished with (7) 3/4" and (4) Romex knock-outs. Strain clamps to install or remove covers for easy access and ground wire. Equipped w/safety standard fitting for flex-conduit.
- Plaster frame kit supplied with (2) 24" adjustable hanger bars with 90° repositioning ability.
- Hanger bars equipped with nail-less install and serrated barbed studs with captive nails for fast and easy mounting to wood joists or T-Bar Ceilings.
- Set screws lock hanger bars in place and prevent shifting after installation.
- 5 1/2" minimum clearance above ceiling recommended for installation and maintenance access.



PHOTOMETRY LR2LH21C-B45

MULTIPLIERS		ZONAL LUMEN SUMMARY			RECOMMENDED LAYOUT				CANDELA TABULATION
FINISHES	COLOR TEMP	ZONE	LUMENS	%FIXT	HEIGHT	SPACING	FC	MIN/MAX	
Black	0.70, 2,700K	0-20	394.92	64.00	10'	4 X 4	42.0	1.6:1	
White	0.87, 3,000K	0-30	543.24	88.00	10'	4 X 6	29.0	2.1:1	
Satin	0.90, 3,500K	0-40	593.17	96.10	10'	6 X 6	20.0	2.4:1	
Clear	1.00, 4,000K	0-60 0-90	615.91 617.44	99.80 100.00					

2" RECESSED LED TRIM 450 - 600Lm

REFLECTOR | ADJUSTABLE | NARROW APERTURE | WALL WASH | SQUARE

The 2" Miniature LED Recessed Downlight is ideal for strategic placement in spaces best suited for small aperture downlights. It comes with an all new dual-purpose construction housing that includes a plaster frame that provides the utmost protection. The driver has been mounted on an external J-Box for a cooler LED operation.

BENEFITS



- Dual purpose New construction housing incl. plaster frame
- 277V input and emergency battery back-up options
- Driver mounted on external J-Box for cooler LED operation
- Durable, fully die-cast construction for long life
- 80CRI standard, 90CRI option
- LEDs binned to within 3-Step MacAdam Ellipses (SDCM)

HOUSING FRAME ORDERING






Example: **LHBLD212C35UE-DUN-EM**

HOUSING#	DRIVER	OPTION
LHBLD212C35 : New Construction	Blank : 120V Non-Dimming	Blank : None
LHBLD2R12C35 : Remodel	-DIN : Incandescent Dimming	-EM : Emergency**
	UE : 120V / 277V	
	UE-D10 : 120V-277V (0-10V Dimming)	
	UE-DUN : 120V-277V (ELV/ 0-10V Universal Dimming)	

** 8W, Remote. New Construction only. Above ceiling access required for EM option.

LED TRIM ORDERING

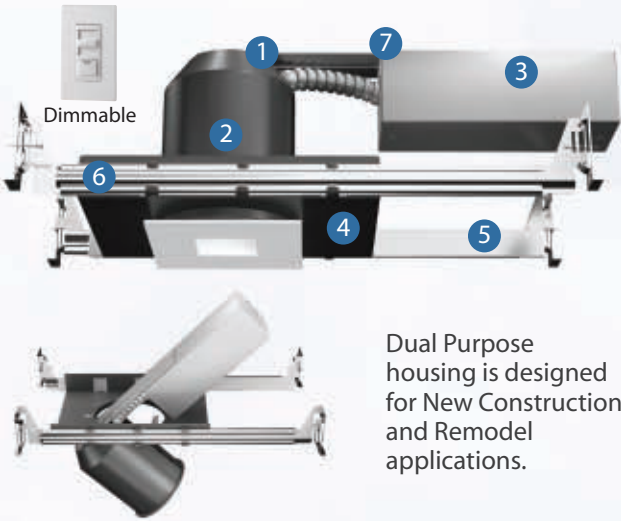
Example: **LR2LH21C-B25-C97-WL**

TRIM STYLE	TRIM FINISH	BEAM SPREAD	LED	RATING
LR2LH21 : Downlight 600Lm  <ul style="list-style-type: none"> • All die-cast construction • Wet location option available 	W : All White	Blank : 45° Narrow Flood	Blank : 3000K	Blank : None
	B : Black Reflector/White Ring	-B25 : Spot	-C90 : 3000K, 90CRI	-WL : Airtight Lensed (Wet-Location) ⁸
	BB : All Black	-B60 : 60° Wide Flood	-C97 : 3000K, 97CRI**	
	C : Clear Reflector/ White Ring		-T17 : 1700K*	
	SN : Satin Reflector/ Natural Ring		-T25 : 2500K*	
LR2LH71 : Wall Wash 550Lm  <ul style="list-style-type: none"> • 50W MR16-like performance 	W : All White	Blank : 45° Narrow Flood	-T27 : 2700K	Blank : None
	B : Black Reflector/White Ring	-B60 : 60° Wide Flood	-T27-C90 : 2700K, 90+ CRI	
	C : Clear Reflector/ White Ring		-T27-C97 : 2700K, 97CRI**	
	SN : Satin Reflector/ Natural Ring		-T35 : 3500K	
			-T40 : 4000K	
LR2LH67 : Adjustable 600Lm  <ul style="list-style-type: none"> • Singular Optic LED • Optics changeable in the field • Tilts 85°, rotates 360° 	W : White	Blank : 45° Narrow Flood		Blank : None
	B : Black	-B60 : 60° Wide Flood		
	N : Natural			
LR2LH19 : Round Narrow Aperture 450Lm  <ul style="list-style-type: none"> • Damp location option 	W : White Pinhole/Black Reflector			Blank : None
	B : Black Pinhole/Black Reflector			
	N : Natural Pinhole/Black Reflector			
	CO : Copper Pinhole/Black Reflector			
	MO : Mocha Pinhole/Black Reflector			
LR2LHQ19 : Square Narrow Aperture 550Lm  <ul style="list-style-type: none"> • 360° Rotatable After Installation • Modern Square Design • 50W MR16-like performance 	WW : White Reflector/White Trim	Blank : 45° Narrow Flood		Blank : None
	BW : Black Reflector/White Trim	-B60 : 60° Wide Flood		
	BB : Black Reflector/Black Trim			
	SN : Satin Reflector/Natural Trim			

* Extended lead time may apply. Consult factory. ** Only available in 2700K and 3000K ⁸LR2LH21 only.

2" RECESSED LED HOUSING 1,300Lm

DUAL PURPOSE | NEW CONSTRUCTION & REMODEL 13W/1300 LM | 2^{13/16}" CEILING CUT OUT



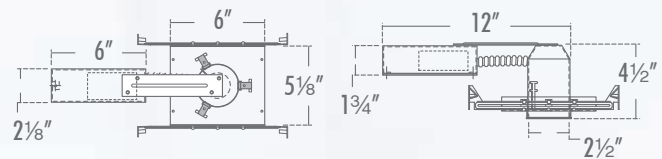
Dual Purpose housing is designed for New Construction and Remodel applications.

ARCHITECTURAL SPECIFICATION

Lumen Packages	13W, Up to 1300 Lumens
CCT	1700K, 2500K, 2700K, 2700K 90CRI, 2700 97CRI, 3000K, 3000K 90CRI, 3000K 97CRI, 3500K, and 4000K Binned to 3-step Macadam Ellipses. 1850K-2700K Warm Dimming available for LR2LH21.
CRI	80+ CRI, 90+ CRI Optional
Lumen Maintenance	Min. 50,000 hours L70 life based on ANSI TM-21 calculations from LM80 Standardized tests.
IC Rating	Non-IC, Must be kept 3" away from insulation.
Dimming Options	ELV 5%, Incandescent 5%, 0-10V
Emergency Options	EM: 8W, Includes Remote Test Switch, plate cover and j-box.
Input	120V, 120V/277V Universal Option

This miniature LED housing is perfect for low to medium height ceilings in residential and light commercial applications. Its small aperture makes it ideal for strategic placement where space is limited and energy savings is important. A variety of trim styles, finishes, beam spreads and wattages are available to achieve a desired look and lumen output.

- 1 Dual Purpose housing is designed for New Construction and Remodel applications.
- 2 Pre-wired .05" baked enamel 1-piece drawn steel. Integral thermal protector to guard against improper lamping and installation. Trim is secured with internal ClickLok™ locking mechanism.
- 3 16 gauge pre-wired galvanized steel Junction Box, 32 cubic-inch for a maximum of (8) #12 AWG wires. Furnished with (7) 3/4" and (4) Romex knock-outs. Strain clamps to install or remove covers for easy access and ground wire. Equipped w/safety standard fitting for flex-conduit.
- 4 Plaster frame kit supplied with (2) 24" adjustable hanger bars with 90° repositioning ability.
- 5 Hanger bars equipped with nail-less install and serrated barbed studs with captive nails for fast and easy mounting to wood joists or T-Bar Ceilings.
- 6 Set screws lock hanger bars in place and prevent shifting after installation.
- 7 5 1/2" minimum clearance above ceiling recommended for installation and maintenance access.



PHOTOMETRY LR2LH21C-L13

MULTIPLIERS		ZONAL LUMEN SUMMARY			RECOMMENDED LAYOUT				CANDELA TABULATION
FINISHES	COLOR TEMP	ZONE	LUMENS	%FIXT	HEIGHT	SPACING	FC	MIN/MAX	
Black	0.70, 2,700K 0.97	0-20	829.29	64.00	10'	4 X 4	88.2	1.6:1	
White	0.87, 3,000K 1.00	0-30	1140.80	88.00	10'	4 X 6	60.9	2.1:1	
Satin	0.90, 3,500K 1.01	0-40	1245.65	96.10	10'	6 X 6	42.0	2.4:1	
Clear	1.00, 4,000K 1.03	0-60 0-90	1293.41 1296.62	99.80 100.00					

2" RECESSED LED TRIM 1,300Lm

REFLECTOR | WALL WASH

The 2" Miniature LED Recessed Downlight is ideal for strategic placement in spaces best suited for small aperture downlights. It comes with an all new dual-purpose construction housing that includes a plaster frame that provides the utmost protection. The driver has been mounted on an external J-Box for a cooler LED operation.

BENEFITS



- Dual purpose New construction housing incl. plaster frame
- 277V input and emergency battery back-up options
- Driver mounted on external J-Box for cooler LED operation
- Durable, fully die-cast construction for long life
- 80CRI standard, 90CRI option
- LEDs binned to within 3-Step MacAdam Ellipses (SDCM)

HOUSING FRAME ORDERING



Example: **LHBLD212C35UE-EM**

HOUSING#	DRIVER	OPTION
LHBLD212C35 : New Construction	Blank : 120V Non-Dimming	Blank : None
LHBLD2R12C35 : Remodel	-DIN : Incandescent Dimming	-EM : Emergency**
	UE : 120V / 277V	
	UE-D10 : 120V-277V (0-10V Dimming)	
	UE-DUN : 120V-277V (ELV/ 0-10V Universal Dimming)	

** 8W, Remote. New Construction only. Above ceiling access required for EM option.

LED TRIM ORDERING

Example: **LR2LH21W-L13-B60-T27-WL**

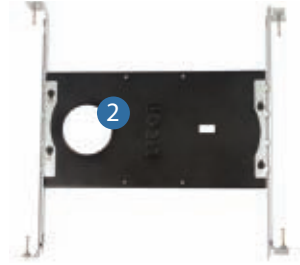
TRIM STYLE	TRIM FINISH	BEAM SPREAD	LED	RATING
LR2LH21 : Downlight 1300Lm  <ul style="list-style-type: none"> • New high output 13W LED • All die-cast construction • Wet location option available 	W-L13 : All White	Blank : 45° Narrow Flood	Blank : 3000K	Blank : None
	B-L13 : Black Reflector/White Ring	-B25 : Spot	-C90 : 3000K, 90CRI	-WL : Airtight Lensed (Wet-Location)
	CO-L13 : All Copper	-B60 : 60° Wide Flood	-C97 : 3000K, 97CRI**	
	C-L13 : Clear Reflector/ White Ring		-T17 : 1700K*	
	SN-L13 : Satin Reflector/ Natural Ring		-T25 : 2500K*	
LR2LH71 : Wall Wash 1300Lm  <ul style="list-style-type: none"> • New high output 13W LED • All die-cast construction 	W-L13 : All White	-B60 : 60° Wide Flood	-T27 : 2700K	Blank : None
	B-L13 : Black Reflector/White Ring		-T27-C90 : 2700K, 90+ CRI	
	C-L13 : Clear Reflector/ White Ring		-T27-C97 : 2700K, 97CRI**	
	SN-L13 : Satin Reflector/ Natural Ring		-T35 : 3500K	
			-T40 : 4000K	
		-TWD : 1850K-2700K (Warm Dimming) ⁸		

* Extended lead time may apply. Consult factory. ** Only available in 2700K and 3000K ⁸ LR2LH21 only.

2.5" RECESSED LED HOUSING 900 - 1,400Lm

ROUND FLANGED & FLANGELESS | 1½" CEILING THICKNESS | 3¼" CEILING CUT OUT

2.5-INCH RECESSED LED ROUND HOUSING • 900LM-1,400LM



Louvers, Lenses and Diffusers



- 1 .05" baked enamel 1-piece drawn steel housing adjusts up to 1-1/2" ceiling thickness. Integral thermal protector to guard against improper lamping and installation. Trim is secured with torsion wing springs.
- 2 Housing suitable for new construction and remodel installations, supplied with (2) 24" adjustable hanger bars. Hanger bars equipped with nail-less install 3/4" serrated barbed studs and with captive nails, for faster and easier secure mounting in wood joists.
- 3 Set-screws lock into position and prevent shifting after installation. Earthquake structural cable compatible for drop panel ceiling or any other mounting that requires direct support from structural ceilings.
- 4 IC rated housing rated for direct contact with low to medium density loosefill blown and rolled insulation. For use with high density loosefill blown insulation, reduce rated lamp wattage accordingly (roughly %15-%20).

PHOTOMETRY LRLD2521 900LM 25° 3000K

LRLD2521 25° 3000K	MULTIPLIERS	FOOTCANDLE DISTRIBUTION	CANDELA TABULATION
System Power : 15.1W	COLOR TEMPERATURE	HEIGHT BEAM DIAMETER FC	
Test Date : 1/2017	4,000K 1.04	3.3' 1.7' 376.8	
Beam Angle 50% : 29.1°	3,500K 1.02	6.6' 3.4' 94.2	
Field Angle 10% : 17.8°	3,000K CRI 97 0.6	9.8' 5.1' 41.9	
Color Temperature : 3,163K	2,700K 0.95	13.1' 6.8' 23.6	
CRI : 93.2	2,700K CRI 97 0.83	16.4' 8.5' 15.1	
R9 Value : 71.8	2,500K 0.45		
Lumens Delivered : 1,085Lm	1,700K 0.42		
CBCP : 4067cd	LUMEN		
Power Factor : 1.0	900Lm 1.00		
	1400Lm 1.24		

PHOTOMETRY LRLD2521 900LM 35° 3000K

LRLD2521 35° 3000K	MULTIPLIERS	FOOTCANDLE DISTRIBUTION	CANDELA TABULATION
System Power : 15.0W	COLOR TEMP	HEIGHT BEAM DIAMETER FC	
Test Date : 1/2017	4,000K 1.04	3.3' 2.3' 268.1	
Beam Angle 50% : 37.9°	3,500K 1.02	6.6' 4.5' 67.0	
Field Angle 10% : 53.6°	3,000K CRI 97 0.6	9.8' 6.8' 29.8	
Color Temperature : 3,170K	2,700K 0.95	13.1' 9.0' 16.8	
CRI : 92.0	2,700K CRI 97 0.83	16.4' 11.3' 10.7	
R9 Value : 66.6	2,500K 0.45		
Lumens Delivered : 1,126Lm	1,700K 0.42		
CBCP : 2888cd	LUMEN		
Power Factor : 1.0	900Lm 1.00		
	1400Lm 1.24		

2.5" RECESSED LED TRIM 900 - 1,400Lm

DOWNLIGHT | ADJUSTABLE | **ROUND FLANGED & FLANGELESS TRIMS**

LITON's all-new 2.5" Architectural LED Series consists of precision grade miniature lighting with round trimless and non-trimless options, adding to our robust family of Specification-Grade Commercial Downlights in a small aperture with powerful lumen output. The modular design of these new downlights enables simple replacement of color temperature, beam spread, finish, and even trim style, resulting in a versatility not seen in other LITON products.

BENEFITS

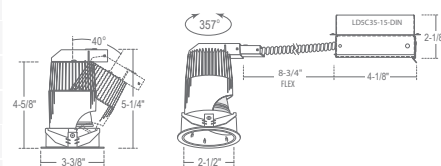


- Small 2.5" Aperture. Available in 5 Reflector Finishes
- Field Replaceable Beam Spread Optics
- Over 900 lumens delivered
- Multiple Accessories Options
- Completely accessible from below the ceiling
- Flangeless models: True "trim-less" design w/ no visible flange

HOUSING FRAME ORDERING





Example: **LHLD25IC-FRM**

HOUSING#	
LHLD25IC-FRM : New Construction IC (Round)	
LHLD25-FRM : New Construction Non IC (Round)	



LED TRIM ORDERING

Example: **LRLD251WW-L14-B25-T27-DUN-WL**

TRIM STYLE	REFLECTOR FINISH	RING FINISH	LUMENS	BEAM SPREAD	LED	DRIVER	RATING
LRLD2521 : Downlight 900Lm 1400Lm 	W : Matte White	W : White	-L09 : 900Lm	-B10 : 10° ***	-T30 : 3000K	Blank : 120V Triac Dimming -DUN : 120V/277V 0-10V, ELV, Triac Dimming*	Blank : None -WL : Airtight Lensed (Wet Location)
	B : Specular Black	B : Black	-L14 : 1400Lm*	-B25 : 25° Spot	-C90 : 3000K, 90 CRI		
	C : Specular Clear			-B35 : 35°	-C97 : 3000K, 97CRI**		
	S : Satin Haze				-T17 : 1700K*		
	RP : Specular Graphite				-T25 : 2500K* -T27 : 2700K		
LRLD2571 : Adj. Accent 900Lm 1400Lm  <ul style="list-style-type: none"> • Tilts 40°, rotates 357° 	W : Matte White	W : White	-L09 : 900Lm	-B10 : 10° ***	-T27-C90 : 2700K, 90+ CRI	Blank : 120V Triac Dimming -DUN : 120V/277V 0-10V, ELV, Triac Dimming*	Blank : None
	B : Specular Black	B : Black	-L14 : 1400Lm*	-B25 : 25° Spot	-T27-C97 : 2700K, 97CRI**		
	C : Specular Clear			-B35 : 35°	-T35 : 3500K		
	S : Satin Haze				-T40 : 4000K		
	RP : Specular Graphite						
FLANGELESS LRXLD2521 : Downlight 900Lm 1400Lm 	W : Matte White		-L09 : 900Lm	-B10 : 10° ***		Blank : 120V Triac Dimming -DUN : 120V/277V 0-10V, ELV, Triac Dimming*	Blank : None -WL : Airtight Lensed (Wet Location)
	B : Specular Black		-L14 : 1400Lm*	-B25 : 25° Spot			
	C : Specular Clear			-B35 : 35°			
	S : Satin Haze						
	RP : Specular Graphite						
FLANGELESS LRXLD2571 : Adj. Accent 900Lm 1400Lm  <ul style="list-style-type: none"> • Tilts 40°, rotates 357° 	W : Matte White		-L09 : 900Lm	-B10 : 10° ***		Blank : 120V Triac Dimming -DUN : 120V/277V 0-10V, ELV, Triac Dimming*	Blank : None
	B : Specular Black		-L14 : 1400Lm*	-B25 : 25° Spot			
	C : Specular Clear			-B35 : 35°			
	S : Satin Haze						
	RP : Specular Graphite						

* Extended lead time may apply. Consult factory. ** Only available in 2700K and 3000K. *** Available in July 2017. Not available with 1400Lm Option.

2.5" RECESSED LED SQUARE HOUSING 900 - 1,400Lm

SQUARE FLANGED & FLANGELESS | 3/4" CEILING THICKNESS

2.5-INCH RECESSED LED SQUARE HOUSING • 900LM-1,400LM



1" Ceiling Thickness
3 3/4" Ceiling Cut-Out

1 1/2" Ceiling Thickness
2 7/8" Ceiling Cut-Out

1. .05" baked enamel 1-piece drawn steel housing adjusts up to 3/4" ceiling thickness. Integral thermal protector to guard against improper lamping and installation. Trim is secured with torsion wing springs.
2. Housing suitable for new construction and remodel installations, supplied with (2) 24" adjustable hanger bars. Hanger bars equipped with nail-less install 3/4" serrated barbed studs and with captive nails, for faster and easier secure mounting in wood joists.
3. Set-screws lock into position and prevent shifting after installation. Earthquake structural cable compatible for drop panel ceiling or any other mounting that requires direct support from structural ceilings.
4. IC rated housing rated for direct contact with low to medium density loosefill blown and rolled insulation. For use with high density loosefill blown insulation, reduce rated lamp wattage accordingly (roughly %15-%20).

PHOTOMETRY LRLDQ2521 900LM 25° 3000K

LRLDQ2521 25° 3000K	MULTIPLIERS	FOOTCANDLE DISTRIBUTION	CANDELA TABULATION
System Power : 15.1W	COLOR TEMPERATURE	HEIGHT BEAM DIAMETER FC	
Test Date : 1/2017	4,000K 1.04	3.3' 1.7' 370.4	
Beam Angle 50% : 28.6°	3,500K 1.02	6.6' 3.4' 92.6	
Field Angle 10% : 45.5°	3,000K CRI 97 0.6	9.8' 5.0' 41.2	
Color Temperature : 3,171K	2,700K 0.95	13.1' 6.7' 23.2	
CRI : 92.1	2,700K CRI 97 0.83	16.4' 8.4' 14.8	
R9 Value : 67.0	2,500K 0.45		
Lumens Delivered : 990Lm	1,700K 0.42		
CBCP : 3987cd	LUMEN		
Power Factor : 1.0	900Lm 1.00		
	1400Lm 1.24		

PHOTOMETRY LRLDQ2521 900LM 35° 3000K

LRLDQ2521 35° 3000K	MULTIPLIERS	FOOTCANDLE DISTRIBUTION	CANDELA TABULATION
System Power : 15.1W	COLOR TEMPERATURE	HEIGHT BEAM DIAMETER FC	
Test Date : 1/2017	4,000K 1.04	3.3' 2.2' 266.0	
Beam Angle 50% : 36.5°	3,500K 1.02	6.6' 4.3' 66.5	
Field Angle 10% : 52.7°	3,000K CRI 97 0.6	9.8' 6.5' 29.6	
Color Temperature : 3,167K	2,700K 0.95	13.1' 8.6' 16.6	
CRI : 92.1	2,700K CRI 97 0.83	16.4' 10.8' 10.6	
R9 Value : 66.5	2,500K 0.45		
Lumens Delivered : 1,037Lm	1,700K 0.42		
CBCP : 2870cd	LUMEN		
Power Factor : 1.0	900Lm 1.00		
	1400Lm 1.24		

2.5" RECESSED LED SQUARE TRIM 900 - 1,400LM

DOWNLIGHT | ADJUSTABLE | SQUARE FLANGED & FLANGELESS TRIMS

LITON's all-new 2.5" Architectural LED Series consists of precision grade miniature lighting with Square trimless and non-trimless options, adding to our robust family of Specification-Grade Commercial Downlights in a small aperture with powerful lumen output. The modular design of these new downlights enables simple replacement of color temperature, beam spread, finish, and even trim style, resulting in a versatility not seen in other LITON products.

BENEFITS

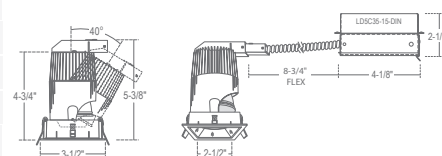


- Small 2.5" Aperture. Available in 5 Reflector Finishes
- Field Replaceable Beam Spread Optics
- Over 900 lumens delivered
- Multiple Accessories Options
- Completely accessible from below the ceiling
- Flangeless models: True "trim-less" design w/ no visible flange

HOUSING FRAME ORDERING

Example: **LHQLD25IC-FRM**

HOUSING#	
LHQLD25IC-FRM : New Construction IC (Square)	
LHQLD25-FRM : New Construction Non IC (Square)	



LED TRIM ORDERING

Example: **LRLDQ2521WW-L14-B25-T27-DUN-WL**

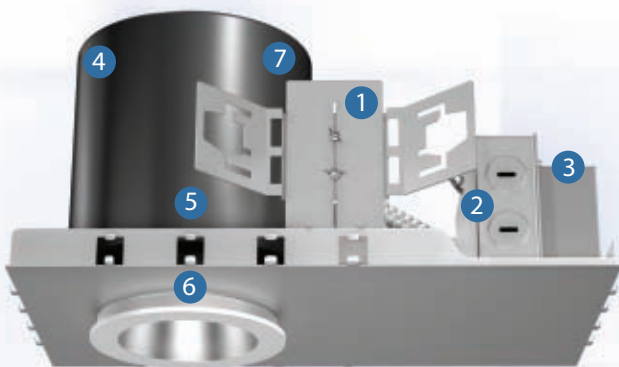
TRIM STYLE	REFLECTOR FINISH	RING FINISH	LUMENS	BEAM SPREAD	LED	DRIVER	RATING
LRLDQ2521 : Downlight 900Lm 1400Lm 	W : Matte White	W : White	-L09 : 900Lm	-B10 : 10° ***	-T30 : 3000K	Blank : 120V Triac Dimming -DUN : 120V/277V 0-10V, ELV, Triac Dimming*	Blank : None -WL : Airtight Lensed (Wet Location)
	B : Specular Black	B : Black	-L14 : 1400Lm*	-B25 : 25° Spot	-C90 : 3000K, 90 CRI		
	C : Specular Clear			-B35 : 35°	-C97 : 3000K, 97CRI**		
	S : Satin Haze				-T17 : 1700K*		
	RP : Specular Graphite				-T25 : 2500K* -T27 : 2700K		
LRLDQ2571 : Adj. Accent 900Lm 1400Lm <ul style="list-style-type: none"> • Tilts 40° 	W : Matte White	W : White	-L09 : 900Lm	-B10 : 10° ***	-T27-C90 : 2700K, 90+ CRI	Blank : 120V Triac Dimming -DUN : 120V/277V 0-10V, ELV, Triac Dimming*	Blank : None
	B : Specular Black	B : Black	-L14 : 1400Lm*	-B25 : 25° Spot	-T27-C97 : 2700K, 97CRI**		
	C : Specular Clear			-B35 : 35°	-T35 : 3500K		
	S : Satin Haze				-T40 : 4000K		
	RP : Specular Graphite						
LRXLDQ2521 : Downlight 900Lm 1400Lm FLANGELESS 	W : Matte White		-L09 : 900Lm	-B10 : 10° ***		Blank : 120V Triac Dimming -DUN : 120V/277V 0-10V, ELV, Triac Dimming*	Blank : None -WL : Airtight Lensed (Wet Location)
	B : Specular Black		-L14 : 1400Lm*	-B25 : 25° Spot			
	C : Specular Clear			-B35 : 35°			
	S : Satin Haze						
	RP : Specular Graphite						
LRXLDQ2571 : Adj. Accent 900Lm 1400Lm FLANGELESS <ul style="list-style-type: none"> • Tilts 40° 	W : Matte White		-L09 : 900Lm	-B10 : 10° ***		Blank : 120V Triac Dimming -DUN : 120V/277V 0-10V, ELV, Triac Dimming*	Blank : None
	B : Specular Black		-L14 : 1400Lm*	-B25 : 25° Spot			
	C : Specular Clear			-B35 : 35°			
	S : Satin Haze						
	RP : Specular Graphite						

* Extended lead time may apply. Consult factory. ** Only available in 2700K and 3000K. *** Available in July 2017. Not available with 1400Lm Option.

3" RECESSED LED HOUSING 550 - 650Lm

ROUND | NEW CONSTRUCTION & REMODEL | 12W/550-650 LM

3-INCH RECESSED LED ROUND HOUSING • 12W/550LM-650LM



ARCHITECTURAL SPECIFICATION

Lumen Package	12W, 550 to 650 Lumens
CCT	1700K, 2500K, 2700K, 2700K 90CRI, 2700 97CRI, 3000K, 3000K 90CRI, 3000K 97CRI, 3500K, and 4000K Binned to 3-step Macadam Ellipses. 1850K-2700K Warm Dimming available for some items.
CRI	80+ Standard, 90+ Option
Lumen Maintenance	50,000 hours L70 Life based on ANSI TM-21 calculations from LM80 Standardized testing
IC Rating	Rated for Insulation Contact and Airtight.
Dimming Options	0-10V 120V/277V, Hi-Lume 1% 120V/277V, UniDim™ Universal Dimming, TRIAC/ELV Dimming
Emergency Options	EM: 5W, Includes Remote Test Switch, Plate cover and j-box.
Input	120V, 120V/277V Universal Option

- 1 Bat-Wing bar hanger brackets adjust 3¼" vertically for multiple ceiling types and accepts ½" EMT, 26" C-Channel Strut for T-Bar ceilings and 27" adjustable linear hanger bars for plaster ceilings or metal/wood joists.
- 2 Pre-wired 16 gauge galvanized steel junction box, 32 cubic inches for maximum of (8) 12 AWG wires. Furnished with (7) ¾" and (4) Romex knockouts. Strain clamps to install/remove covers for easy access.
- 3 Electronic Direct Current UL Listed Driver is mounted in or on the J-box, away from the LED for cooler operation.
- 4 Available for New Construction and Remodel applications.
- 5 Housing is rated for Insulation Contact.
- 6 Pre-wired housing adjusts up to 1¼" ceiling thickness.
- 7 Integral thermal protector guards against improper installation.

PHOTOMETRY LR3LH21W-B45

MULTIPLIERS		ZONAL LUMEN SUMMARY			RECOMMENDED LAYOUT				CANDELA TABULATION
FINISHES	COLOR TEMP	ZONE	LUMENS	%FIXT	HEIGHT	SPACING	FC	MIN/MAX	
Black 0.70	2,700K 0.97	0-20	394.92	64.00	12'	4 X 4	40.0	1.8:1	
White 0.87	3,000K 1.00	0-30	543.24	88.00	12'	4 X 6	33.0	1.6:1	
Clear 1.00	3,500K 1.01	0-40	593.17	96.10	12'	6 X 6	19.0	2.1:1	
	4,000K 1.03	0-60	615.91	99.80					
		0-90	617.44	100.00					

PHOTOMETRY LR3LH21W-B60

MULTIPLIERS		ZONAL LUMEN SUMMARY			RECOMMENDED LAYOUT				CANDELA TABULATION
FINISHES	COLOR TEMP	ZONE	LUMENS	%FIXT	HEIGHT	SPACING	FC	MIN/MAX	
Black 0.70	2,700K 0.97	0-20	393.31	55.10	10'	4 X 4	47.0	1.6:1	
White 0.87	3,000K 1.00	0-30	571.60	80.10	10'	4 X 6	33.0	2.0:1	
Clear 1.00	3,500K 1.01	0-40	650.79	91.20	10'	6 X 6	23.0	2.3:1	
	4,000K 1.03	0-60	699.00	98.00					
		0-80	709.39	99.40					
		0-90	713.47	100.00					

3" RECESSED LED TRIM 550 - 650 Lm

DOWNLIGHT | WALL WASH | ADJUSTABLE | LENSED | SQUARE NARROW APERTURE

High-output miniature architectural-grade LED reflector trim for commercial and high-end residential installations. Designed for low to medium height ceilings. Trim ring constructed of heavy-duty die-cast aluminum.

BENEFITS



- 277V input and emergency battery back-up options
- Driver mounted away from LED for cooler operation
- New High Output 12W LED (6W version available, consult).
- Specification grade 90CRI Option
- LEDs binned to within 3-Step MacAdam Ellipses (SDCM)

HOUSING FRAME ORDERING






Example: **LHJLD312C35UE-DUN-EM**

HOUSING#	DRIVER	OPTION
LHJLD312C35 : New Construction	Blank : 120V Non-Dimming	Blank : None
LHBLD3R12C35 : Remodel	-DIN : 120V Incandescent Dimming	-EM : Emergency**
	UE : 120V / 277V	
	UE-D10 : 120V-277V (0-10V Dimming)	
	UE-DUN : 120V-277V (ELV/ 0-10V Universal Dimming)	
	UE-DHL : Hi-Lume Dimming (120V/277V)	
	-347-D10 : 0-10V 10% Dimming	

** 5W, Remote. Above ceiling access required for EM option.

LED TRIM ORDERING

Example: **LR3LH71WW-B25-T17-WL**

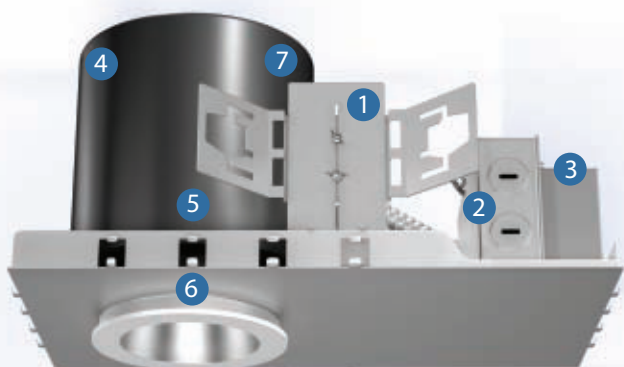
TRIM STYLE	REFLECTOR/BAFFLE	FINISH	BEAM SPREAD	LED	RATING
LR3LH21 : Downlight 650Lm 	Blank : Frosted Clear	W : White	Blank : 45° Narrow Flood	Blank : 3000K	Blank : Damp Location
	W : White	B : Black	-B25 : Spot*	-C90 : 3000K, 90CRI	-WL : Wet Location
	B : Black	N : Natural	-B60 : 60° Wide Flood	-C97 : 3000K, 97CRI**	
		CO : Copper		-T17 : 1700K*	
		MO : Mocha		-T25 : 2500K*	
LR3LH71 : Wall Wash 650Lm 	Blank : Frosted Clear	W : White	Blank : 45° Narrow Flood	-T27 : 2700K	Blank : Damp Location
	W : White	B : Black	-B25 : Spot*	-T27-C90 : 2700K, 90+ CRI	-WL : Wet Location
	B : Black	N : Natural	-B60 : 60° Wide Flood	-T27-C97 : 2700K, 97CRI**	
		CO : Copper		-T35 : 3500K	
		MO : Mocha		-T40 : 4000K	
LR3LH88 : Adjustable 650Lm  • Tilts 25°	--- Not Applicable ---	W : White	Blank : 45° Narrow Flood	-TWD : 1850K-2700K ⁸ (Warm Dimming)	Blank : Damp Location
		B : Black	-B25 : Spot*		-WL : Wet Location
		N : Natural	-B60 : 60° Wide Flood		
LR3LH00 : Lensed 550Lm 	--- Not Applicable ---	W : White	--- Not Applicable ---		Blank : Damp Location
		B : Black			-WL : Wet Location
		N : Natural			
		CO : Copper			
		MO : Mocha			
LR3LHQ19 :  Square Narrow Aperture 650Lm	Blank : White	W : White	Blank : 45° Narrow Flood		Blank : Damp Location
	B : Black	B : All Black	-B25 : Spot*		-WL : Wet Location
		C : Chrome	-B60 : 60° Wide Flood		

* Extended lead time may apply. Consult factory. ** Only available in 2700K and 3000K. ⁸ LR3LH21 & LR3LHQ19 only.

3" RECESSED LED HOUSING 1,200Lm

ROUND | NEW CONSTRUCTION & REMODEL | 19W/1,200 LM

3-INCH RECESSED LED ROUND HOUSING • 19W/1,200LM



ARCHITECTURAL SPECIFICATION

Lumen Package	19W, 1200 Lumens
CCT	1700K, 2500K, 2700K, 2700K 90CRI, 2700 97CRI, 3000K, 3000K 90CRI, 3000K 97CRI, 3500K, and 4000K Binned to 3-step Macadam Ellipses
CRI	80+ Standard, 90+ Option
Lumen Maintenance	50,000 hours L70 Life based on ANSI TM-21 calculations from LM80 Standardized testing
IC Rating	Rated for Insulation Contact and Airtight.
Dimming Options	0-10V 120V/277V, Hi-Lume 1% 120V/277V, UniDim™ Universal Dimming, TRIAC/ELV Dimming
Emergency Options	EM: 5W, Includes Remote Test Switch, Plate cover and j-box.
Input	120V, 120V/277V Universal Option

- 1 Bat-Wing bar hanger brackets adjust 3 1/4" vertically for multiple ceiling types and accepts 1/2" EMT, 26" C-Channel Strut for T-Bar ceilings and 27" adjustable linear hanger bars for plaster ceilings or metal/wood joists.
- 2 Pre-wired 16 gauge galvanized steel junction box, 32 cubic inches for maximum of (8) 12 AWG wires. Furnished with (7) 3/4" and (4) Romex knockouts. Strain clamps to install/remove covers for easy access.
- 3 Electronic Direct Current UL Listed Driver is mounted in or on the J-box, away from the LED for cooler operation.
- 4 Available for New Construction and Remodel applications.
- 5 Housing is rated for Insulation Contact.
- 6 Pre-wired housing adjusts up to 1 1/4" ceiling thickness.
- 7 Integral thermal protector guards against improper installation.

PHOTOMETRY

LR3LH L08121604	MULTIPLIERS	ZONAL LUMEN SUMMARY	CANDELA TABULATION
System Power : 19.0W	FINISHES	ZONE	
Test File No. : L08121604	Black 0.70	LUMENS	
Lum. Diameter : 2.04"	White 0.87	%FIXT	
Color Temperature : 3050K	Clear 1.00	0-20	
CRI : 80.0+		0-30	
Lumens Delivered : 1,148		0-40	
Power Factor : 1.0		0-60	
		0-90	

25° SPOT

HEIGHT (Ft)	CBFC	Ø @ 50%	Ø @ 90%
7	83.1	15'	37'
8	69.1	17'	40'
9	54.0	22'	46'
12	30.2	25'	60'
15	19.7	30'	75'

45° NARROW FLOOD

HEIGHT (Ft)	CBFC	Ø @ 50%	Ø @ 90%
7	60.8	19'	37'
8	47.3	22'	42'
9	37.4	25'	46'
10	30.2	27'	48'
12	20.9	33'	62'

60° WIDE FLOOD

HEIGHT (Ft)	CBFC	Ø @ 50%	Ø @ 90%
7	55.9	20'	40'
8	42.9	23'	45'
9	33.9	27'	50'
10	27.8	30'	56'
12	19.3	35'	65'

3" RECESSED LED TRIM 1,200 Lm

DOWNLIGHT | WALL WASH | LENSED | SQUARE NARROW APERTURE

High-output miniature architectural-grade LED reflector trim for commercial and high-end residential installations. Designed for low to medium height ceilings. Trim ring constructed of heavy-duty die-cast aluminum.

BENEFITS



- 277V input and emergency battery back-up options
- Driver mounted away from LED for cooler operation
- Miniature aperture is perfect for hard to light spaces and allows uncluttered ceilings.
- Specification grade 90CRI Option
- LEDs binned to within 3-Step MacAdam Ellipses (SDCM)
- Powerful: over 1200 lumens delivered
- Replaces obsolete or inefficient lamps. Equivalent to 75W MR16

HOUSING FRAME ORDERING





Example: **LHJLD319C70UE-DUN-EM**

HOUSING#	DRIVER	OPTION
LHJLD319C70 : New Construction*	Blank : 120V Non-Dimming -DIN : 120V Incandescent Dimming UE : 120V / 277V UE-D10 : 120V-277V (0-10V Dimming) UE-DUN : 120V-277V (ELV/ 0-10V Universal Dimming) UE-DHL : Hi-Lume Dimming (120V/277V) -347-D10 : 0-10V 10% Dimming	Blank : None -EM : Emergency**

* Not rated for Insulation Contact. ** 5W, Remote. Above ceiling access required for EM option.

LED TRIM ORDERING

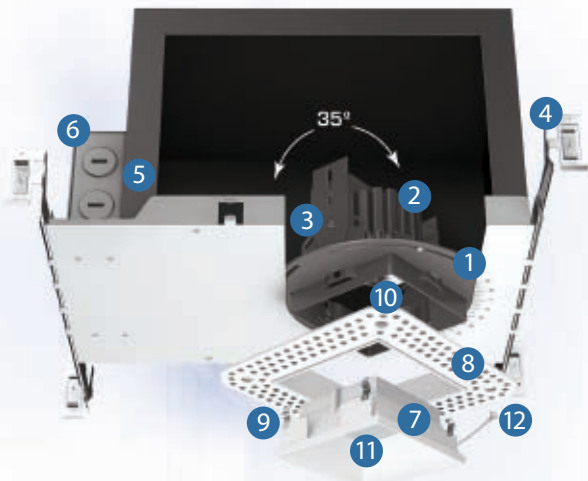
Example: **LR3LH71BW-L12-B25-T17-WL**

TRIM STYLE	REFLECTOR/BAFFLE	FINISH	BEAM SPREAD	LED	RATING
LR3LH21 : Downlight 1200Lm 	Blank : Frosted Clear	W-L12 : White	Blank : 45° Narrow Flood	Blank : 3000K	Blank : Damp Location
	W : White	B-L12 : Black	-B25 : Spot*	-C90 : 3000K, 90CRI	-WL : Wet Location
	B : Black	N-L12 : Natural	-B60 : 60° Wide Flood	-C97 : 3000K, 97CRI**	
		CO-L12 : Copper		-T17 : 1700K*	
		MO-L12 : Mocha		-T25 : 2500K*	
LR3LH71 : Wall Wash 1200Lm 	Blank : Frosted Clear	W-L12 : White	Blank : 45° Narrow Flood	-T27 : 2700K	Blank : Damp Location
	W : White	B-L12 : Black	-B25 : Spot*	-T27-C90 : 2700K, 90+ CRI	-WL : Wet Location
	B : Black	N-L12 : Natural	-B60 : 60° Wide Flood	-T27-C97 : 2700K, 97CRI**	
		CO-L12 : Copper		-T35 : 3500K	
		MO-L12 : Mocha		-T40 : 4000K	
LR3LH00 : Lensed 1200Lm 	--- Not Applicable ---	W-L12 : White	--- Not Applicable ---		Blank : Damp Location
		B-L12 : Black			-WL : Wet Location
		N-L12 : Natural			
		CO-L12 : Copper			
		MO-L12 : Mocha			
LR3LHQ19 :  Square Narrow Aperture 1200Lm	Blank : White	W-L12 : White	Blank : 45° Narrow Flood		Blank : Damp Location
	B : Black	B-L12 : All Black	-B25 : Spot*		-WL : Wet Location
		C-L12 : Chrome	-B60 : 60° Wide Flood		

* Extended lead time may apply. Consult factory. ** Only available in 2700K and 3000K.

3" RECESSED LED SQUARE HOUSING 600 - 1,200Lm

DIMMABLE | MINIARC | ADJUSTABLE 12W/19W SQUARE | 3½" SQUARE CUT OUT



- 1 Housing collar printed with hash marks in 5° increments for 45° of rotation. Collar bracket adjusts vertically from ½" to 1" ceiling thickness
- 2 Effective thermal dissipation facilitated by precision-forged aluminum heat sink
- 3 The LED assembly allows 35° of angle adjustment and adjusts 1½" vertically to allow positioning the lamp
- 4 Included hanger bars equipped with nail-less install and serrated barbed studs with captive nails

ARCHITECTURAL SPECIFICATION

Lumen Packages	12W, Up to 600 Lumens, 19W, 1200 Lumens
CCT	1700K, 2500K, 2700K, 2700K 90CRI, 2700 97CRI, 3000K, 3000K 90CRI, 3000K 97CRI, 3500K, and 4000K Binned to 3-step Macadam Ellipses. 1850K-2700K Warm Dimming available for 12W.
CRI	80+ CRI, 90+ CRI Optional
Lumen Maintenance	50,000 hours L70 life based on ANSI TM-21 calculations from LM80 Standardized tests.
IC Rating	Rated for Insulation Contact and Airtight.
Dimming Options	ELV 5%, Incandescent 5%*, 0-10V
Emergency Options	EM: 5W, Includes Remote Test Switch, plate cover and j-box.
Input	120V, 120V/277V Universal Option

- 5 Electronic Direct Current UL Listed Driver is mounted in or on the J-box, away from the LED for cooler operation
- 6 Pre-wired 16 gauge galvanized steel junction box
- 7 Trims are fully die-cast aluminum and powder-coated white for long lasting beauty
- 8 Trim includes a die-cast perforated mesh flange for installations in drywall or plaster ceilings
- 9 Trims held firmly into place by four (4) steel clips
- 10 Three beamspreads: Spot, Narrow Flood, Wide Flood
- 11 Available with frosted lens or lens-free
- 12 Trim equipped with earthquake structural safety cable

PHOTOMETRY LHQLD319C70-B25

MULTIPLIERS	ZONAL LUMEN SUMMARY			RECOMMENDED LAYOUT				CANDELA TABULATION
COLOR TEMPERATURE	ZONE	LUMENS	%FIXT	HEIGHT	SPACING	FC	MIN/MAX	
2,700K 0.97	0-20	773.72	55.00	8'	6 X 6	48.0	2.5:1	
3,000K 1.00	0-30	1000.64	78.20	10'	6 X 6	45.0	1.9:1	
3,500K 1.01	0-40	1292.48	91.90	12'	6 X 6	44.0	1.9:1	
4,000K 1.03	0-60	1379.14	98.00	10'	8 X 8	25.0	2.2:1	
	0-80	1403.03	99.70	12'	8 X 8	24.0	2.0:1	
	0-90	1407.03	100.00					

PHOTOMETRY LHQLD319C70

MULTIPLIERS	ZONAL LUMEN SUMMARY			RECOMMENDED LAYOUT				CANDELA TABULATION
COLOR TEMPERATURE	ZONE	LUMENS	%FIXT	HEIGHT	SPACING	FC	MIN/MAX	
2,700K 0.97	0-20	734.55	64.00	12'	6 X 6	20.0	1.7:1	
3,000K 1.00	0-30	1010.43	88.00	8'	8 X 8	38.0	2.0:1	
3,500K 1.01	0-40	1103.30	96.10	10'	8 X 8	37.0	1.3:1	
4,000K 1.03	0-60	1145.59	99.80					
	0-80	1148.21	100.00					
	0-90	1148.43	100.00					

3" RECESSED LED SQUARE TRIM 600 - 1,200Lm

1-PIECE DIE-CAST | DOWNLIGHT | LENSED **ADJUSTABLE**

Designed for low to medium ceiling heights in retail, hospitality, commercial and high-end residential applications. Advanced 'hot-aiming' mechanism allows precise and lockable positioning of the square trim prior to drywall or ceiling panel installation. Post installation adjustment of the beam tilt is possible from below the fixture.

BENEFITS



- 120V/277V Option
- New Highly Adjustable 3" Square LED housing (LHQLD3) works with LRQ3 and LRXQ3 Phantom Trims
- 12W delivers 600 lumens, 19W delivers 1200 lumens
- Incandescent/ELV Dimming Option
- 0-10V Dimming Option
- Lutron® HiLume 1% Dimming Option
- Remote emergency battery back-up option
- Housing includes LED and aiming mechanism
- Small, unobtrusive 3" size trims
- Seamless Die-cast construction trims for a rich appearance and superior durability
- Frosted lens eliminates lamp image and softens the light



LRQ302W | Lensed Reflector



LRQ321W | Open Reflector



LRQ371W | Lensed Wall Wash



LRQ372W | Open Wall Wash

PHOTOMETRY LHQLD319C70-B60

MULTIPLIERS	ZONAL LUMEN SUMMARY	RECOMMENDED LAYOUT	CANDELA TABULATION																																													
COLOR TEMPERATURE 2,700K 0.97 3,000K 1.00 3,500K 1.01 4,000K 1.03	<table border="1"> <thead> <tr> <th>ZONE</th> <th>LUMENS</th> <th>%FIXT</th> </tr> </thead> <tbody> <tr><td>0-20</td><td>702.33</td><td>55.10</td></tr> <tr><td>0-30</td><td>1020.72</td><td>80.10</td></tr> <tr><td>0-40</td><td>1162.13</td><td>91.20</td></tr> <tr><td>0-60</td><td>1248.21</td><td>98.00</td></tr> <tr><td>0-80</td><td>1266.76</td><td>99.40</td></tr> <tr><td>0-90</td><td>1274.06</td><td>100.00</td></tr> </tbody> </table>	ZONE	LUMENS	%FIXT	0-20	702.33	55.10	0-30	1020.72	80.10	0-40	1162.13	91.20	0-60	1248.21	98.00	0-80	1266.76	99.40	0-90	1274.06	100.00	<table border="1"> <thead> <tr> <th>HEIGHT</th> <th>SPACING</th> <th>FC</th> <th>MIN/MAX</th> </tr> </thead> <tbody> <tr><td>8'</td><td>6 X 6</td><td>40.0</td><td>1.7:1</td></tr> <tr><td>10'</td><td>6 X 6</td><td>40.0</td><td>1.2:1</td></tr> <tr><td>12'</td><td>6 X 6</td><td>39.0</td><td>1.1:1</td></tr> <tr><td>10'</td><td>8 X 8</td><td>22.0</td><td>2.1:1</td></tr> <tr><td>12'</td><td>8 X 8</td><td>22.0</td><td>1.4:1</td></tr> </tbody> </table>	HEIGHT	SPACING	FC	MIN/MAX	8'	6 X 6	40.0	1.7:1	10'	6 X 6	40.0	1.2:1	12'	6 X 6	39.0	1.1:1	10'	8 X 8	22.0	2.1:1	12'	8 X 8	22.0	1.4:1	<p>2786, CBCP</p>
ZONE	LUMENS	%FIXT																																														
0-20	702.33	55.10																																														
0-30	1020.72	80.10																																														
0-40	1162.13	91.20																																														
0-60	1248.21	98.00																																														
0-80	1266.76	99.40																																														
0-90	1274.06	100.00																																														
HEIGHT	SPACING	FC	MIN/MAX																																													
8'	6 X 6	40.0	1.7:1																																													
10'	6 X 6	40.0	1.2:1																																													
12'	6 X 6	39.0	1.1:1																																													
10'	8 X 8	22.0	2.1:1																																													
12'	8 X 8	22.0	1.4:1																																													

ORDERING LED SQUARE HOUSING AND TRIM

Example: LHQLD312C35UE-B25-T40/LRQ371W-WL

HOUSING/WATTAGE	OPTION	BEAM SPREAD	LED	TRIM	FINISH	RATING
LHQLD312C35 : 12W	Blank : 120V Non-Dimming	Blank : 45° Narrow FL	Blank : 3000K	/LRQ321	W : White	Blank : Damp Location
LHQLD319C70 : 19W ^	UE : 120V/277V	-B25 : Spot*	-C90 : 3000K, 90CRI	/LRQ302		-WL : Wet Location ***
	UE-D10 : 120V/277V 0-10V****	-B60 : 60° Wide Flood	-C97 : 3000K, 97CRI**	/LRQ371		
	UE-DUN : 120V-277V UniDim™ ++		-T17 : 1700K*	/LRQ372		
	-DIN : 120V Incandescent Dimming		-T25 : 2500K*			
	-EM : Remote 5W Emergency +		-T27 : 2700K			
	-347-D10 : 0-10V 10% Dimming		-T27-C90 : 2700K, 90+ CRI			
			-T27-C97 : 2700K, 97CRI**			
			-T35 : 3500K			
			-T40 : 4000K			
			-TWD : 1850K-2700K **** (Warm Dimming)			

* Ext. lead time may apply. Consult factory. ** Only available in 2700K & 3000K. *** For lensed version only. **** Only for 12W. ^ Not rated for IC. + Above ceiling access required. ** Ext. lead time may apply for quantities over 100.

3-INCH SQUARE LED DOWNLIGHT

Designed for low to medium ceiling heights in retail, hospitality, commercial and high-end residential applications. Advanced 'hot-aiming' mechanism allows precise and lockable positioning of the square trim prior to drywall or ceiling panel installation. Post installation adjustment of the beam tilt is possible from below the fixture.



3" RECESSED LED FLANGELESS SQUARE TRIM 600 - 1,200 Lm

1-PIECE DIE-CAST | DOWNLIGHT | LENSED DOWNLIGHT | **ADJUSTABLE** | LENSED ADJUSTABLE

Flangeless 3" 12W/600Lm & 19W/1,200Lm Mini-Arc Square LED Housing (Dimmable). Advanced 'hot-aiming' mechanism allows precise and lockable positioning of the square trim prior to drywall or ceiling panel installation. Post installation adjustment of the beam tilt is possible from below the fixture.

BENEFITS



- 120V/277V Option
- New Highly Adjustable 3" Square LED housing (LHQLD3) works with LRQ3 and LRXQ3 Phantom Trims
- 12W delivers 600 lumens, 19W delivers 1200 lumens
- Incandescent/ELV Dimming Option
- 0-10V Dimming Option
- Lutron® HiLume 1% Dimming Option
- Remote emergency battery back-up option
- Housing includes LED and aiming mechanism
- Creates a flat ceiling, zero sight line appearance
- Supplied with earthquake safety tether
- Seamless Die-cast construction trims for a rich appearance and superior durability
- Frosted lens eliminates lamp image and softens the light



LRXQ302W | Lensed Reflector



LRXQ321W | Open Reflector



LRXQ371W | Lensed Wall Wash



LRXQ372W | Open Wall Wash

PHOTOMETRY LHQLD319C70-B25

MULTIPLIERS	ZONAL LUMEN SUMMARY	RECOMMENDED LAYOUT	CANDELA TABULATION																																													
COLOR TEMPERATURE 2,700K 0.97 3,000K 1.00 3,500K 1.01 4,000K 1.03	<table border="1"> <thead> <tr> <th>ZONE</th> <th>LUMENS</th> <th>%FIXT</th> </tr> </thead> <tbody> <tr><td>0-20</td><td>773.72</td><td>55.00</td></tr> <tr><td>0-30</td><td>1000.64</td><td>78.20</td></tr> <tr><td>0-40</td><td>1292.48</td><td>91.90</td></tr> <tr><td>0-60</td><td>1379.14</td><td>98.00</td></tr> <tr><td>0-80</td><td>1403.03</td><td>99.70</td></tr> <tr><td>0-90</td><td>1407.03</td><td>100.00</td></tr> </tbody> </table>	ZONE	LUMENS	%FIXT	0-20	773.72	55.00	0-30	1000.64	78.20	0-40	1292.48	91.90	0-60	1379.14	98.00	0-80	1403.03	99.70	0-90	1407.03	100.00	<table border="1"> <thead> <tr> <th>HEIGHT</th> <th>SPACING</th> <th>FC</th> <th>MIN/MAX</th> </tr> </thead> <tbody> <tr><td>8'</td><td>6 X 6</td><td>48.0</td><td>2.5:1</td></tr> <tr><td>10'</td><td>6 X 6</td><td>45.0</td><td>1.9:1</td></tr> <tr><td>12'</td><td>6 X 6</td><td>44.0</td><td>1.9:1</td></tr> <tr><td>10'</td><td>8 X 8</td><td>25.0</td><td>2.2:1</td></tr> <tr><td>12'</td><td>8 X 8</td><td>24.0</td><td>2.0:1</td></tr> </tbody> </table>	HEIGHT	SPACING	FC	MIN/MAX	8'	6 X 6	48.0	2.5:1	10'	6 X 6	45.0	1.9:1	12'	6 X 6	44.0	1.9:1	10'	8 X 8	25.0	2.2:1	12'	8 X 8	24.0	2.0:1	<p>4474.821, CBCP</p>
ZONE	LUMENS	%FIXT																																														
0-20	773.72	55.00																																														
0-30	1000.64	78.20																																														
0-40	1292.48	91.90																																														
0-60	1379.14	98.00																																														
0-80	1403.03	99.70																																														
0-90	1407.03	100.00																																														
HEIGHT	SPACING	FC	MIN/MAX																																													
8'	6 X 6	48.0	2.5:1																																													
10'	6 X 6	45.0	1.9:1																																													
12'	6 X 6	44.0	1.9:1																																													
10'	8 X 8	25.0	2.2:1																																													
12'	8 X 8	24.0	2.0:1																																													

ORDERING LED SQUARE HOUSING AND TRIM

Example: LHQLD312C70UE-B60-T40/LRXQ321W-WL

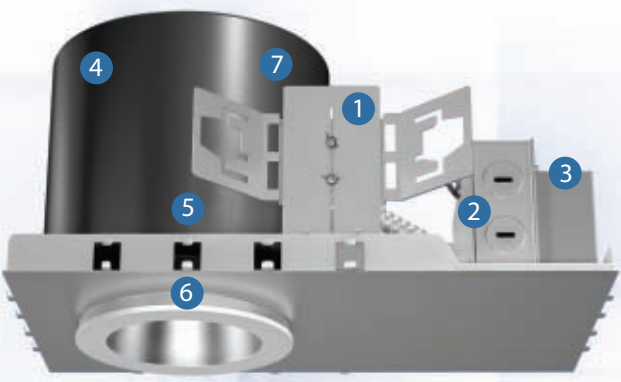
HOUSING/WATTAGE	OPTION	BEAM SPREAD	LED	TRIM	FINISH	RATING
LHQLD312C35 : 12W	Blank : 120V Non-Dimming	Blank : 45° Narrow FL	Blank : 3000K	/LRXQ321	W : White	Blank : Damp Location
LHQLD319C70 : 19W ^	UE : 120V/277V	-B25 : Spot*	-C90 : 3000K, 90CRI	/LRXQ302		-WL : Wet Location ***
	UE-D10 : 120V/277V 0-10V****	-B60 : 60° Wide Flood	-C97 : 3000K, 97CRI**	/LRXQ371		
	UE-DUN : 120V-277V UniDim™ ++		-T17 : 1700K*	/LRXQ372		
	-DIN : 120V Incandescent Dimming		-T25 : 2500K*			
	-EM : Remote 5W Emergency +		-T27 : 2700K			
	-347-D10 : 0-10V 10% Dimming		-T27-C90 : 2700K, 90+ CRI			
			-T27-C97 : 2700K, 97CRI**			
			-T35 : 3500K			
			-T40 : 4000K			
			-TWD : 1850K-2700K **** (Warm Dimming)			

* Ext. lead time may apply. Consult factory. ** Only available in 2700K & 3000K. *** For lensed version only. **** Only for 12W. ^ Not rated for IC. + Above ceiling access required. ** Ext. lead time may apply for quantities over 100.

3.5" RECESSED LED HOUSING 650Lm

ROUND | NEW CONSTRUCTION & REMODEL | 12W/650 LM

3.5-INCH RECESSED LED ROUND HOUSING • 12W/650LM



- 1 Bat-Wing bar hanger brackets adjust 3 1/4" vertically for multiple ceiling types and accepts 1/2" EMT, 26" C-Channel Strut for T-Bar ceilings and 27" adjustable linear hanger bars for plaster ceilings or metal/wood joists.
- 2 Pre-wired 16 gauge galvanized steel junction box, 32 cubic inches for maximum of (8) 12 AWG wires. Furnished with (7) 3/4" and (4) Romex knockouts. Strain clamps to install/remove covers for easy access.
- 3 Electronic Direct Current UL Listed Driver is mounted in or on the J-box, away from the LED for cooler operation.
- 4 Available for New Construction and Remodel applications.
- 5 Housing is rated for Insulation Contact.
- 6 Pre-wired housing adjusts up to 1 1/4" ceiling thickness.
- 7 Integral thermal protector guards against improper installation.

ARCHITECTURAL SPECIFICATION

Lumen Package	12W, 650 Lumens
CCT	1700K, 2500K, 2700K, 2700K 90CRI, 2700 97CRI, 3000K, 3000K 90CRI, 3000K 97CRI, 3500K, and 4000K Binned to 3-step Macadam Ellipses. 1850K-2700K Warm Dimming available for some items.
CRI	80+ Standard, 90+ Option
Lumen Maintenance	50,000 hours L70 Life based on ANSI TM-21 calculations from LM80 Standardized testing
IC Rating	Rated for Insulation Contact and Airtight.
Dimming Options	0-10V 120V/277V, Hi-Lume 1% 120V/277V, UniDim™ Universal Dimming, TRIAC/ELV Dimming
Emergency Options	EM: 5W, Includes Remote Test Switch, Plate cover and j-box.
Input	120V, 120V/277V Universal Option

PHOTOMETRY LR4LH21SW-B25

MULTIPLIERS			ZONAL LUMEN SUMMARY			RECOMMENDED LAYOUT				CANDELA TABULATION
FINISHES	COLOR TEMP		ZONE	LUMENS	%FIXT	HEIGHT	SPACING	FC	MIN/MAX	
Black	0.70	2,700K 0.97	0-20	416.62	55.00	8'	4 X 4	53.0	1.1:1	<p>2412 1809 1206 603 90° 80° 70° 60° 50° 40° 30° 20° 10° 0°</p> <p>2411.584, CBCP</p>
White	0.87	3,000K 1.00	0-30	592.65	78.20	8'	6 X 6	25.0	1.8:1	
Satin	0.90	3,500K 1.01	0-40	695.95	91.90	10'	4 X 4	53.0	1.1:1	
Clear	1.00	4,000K 1.03	0-60	742.61	98.00	10'	6 X 6	25.0	1.6:1	
			0-80	755.48	99.70	12'	6 X 6	23.0	1.4:1	
			0-90	757.63	100.00					

PHOTOMETRY LR4LH21SW

MULTIPLIERS			ZONAL LUMEN SUMMARY			RECOMMENDED LAYOUT				CANDELA TABULATION
FINISHES	COLOR TEMP		ZONE	LUMENS	%FIXT	HEIGHT	SPACING	FC	MIN/MAX	
Black	0.70	2,700K 0.97	0-20	394.92	64.00	8'	4 X 4	43.0	1.2:1	<p>1638 1229 819 410 180° 90° 80° 70° 60° 50° 40° 30° 20° 10° 0°</p> <p>1638.36, CBCP</p>
White	0.87	3,000K 1.00	0-30	543.24	88.00	8'	6 X 6	21.0	2.1:1	
Satin	0.90	3,500K 1.01	0-40	593.17	96.10	10'	4 X 4	43.0	1.0:1	
Clear	1.00	4,000K 1.03	0-60	615.91	99.80	10'	6 X 6	20.0	1.4:1	
			0-90	617.44	100.00					

3.5" RECESSED LED TRIM 650Lm

DOWNLIGHT | ADJ. WALL WASH | FIXED & ADJ. PINHOLE | SQUARE NARROW APERTURE

High-output miniature architectural-grade LED reflector trim for commercial and high-end residential installations. Designed for low to medium height ceilings. Trim ring constructed of heavy-duty die-cast aluminum.

BENEFITS



- 277V input and emergency battery back-up options
- Driver mounted away from LED for cooler operation
- New High Output 12W LED (6W version available, consult).
- Insulated Ceiling (IC) Rated Housing
- Singular Optic LED
- LEDs binned to within 3-Step MacAdam Ellipses (SDCM)

HOUSING FRAME ORDERING






Example: **LHJLD412C35UE-DUN-EM/HB24**

HOUSING#	OPTION	EMERGENCY	ACCESSORIES
LHJLD412C35 : 12W New Construction	Blank : None	Blank : None	Blank : None
LHBLD4R12C35 : 12W Remodel	-DIN : 120V Incandescent Dimming UE : 120V / 277V UE-D10 : 120V-277V (0-10V Dimming) UE-DUN : 120V-277V (ELV/ 0-10V Universal Dimming) UE-DHL : Hi-Lume Dimming (120V/277V) -DMX : DMX Dimming* -347-D10 : 0-10V 10% Dimming	-EM : Emergency**	/HB24 : Adjustable Hanger Bar Set /C260-J : Adj. C-Channel Hanger Bar Set

* New Construction only. ** Above ceiling access required for EM option.

LED TRIM ORDERING

Example: **LR4LH71WW-B25-T17-WL**

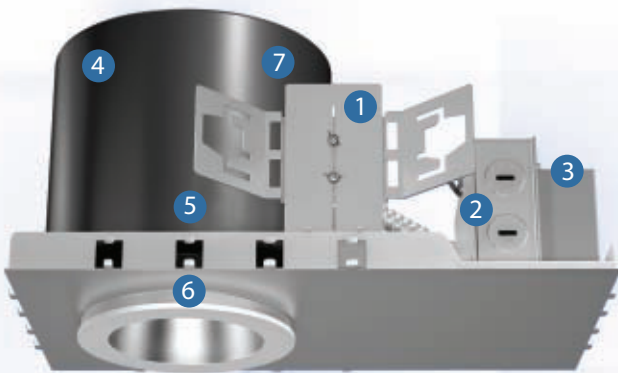
TRIM STYLE	REFLECTOR FINISH	BEAM SPREAD	LED	RATING
LR4LH21 : Downlight 650Lm 	W : All White	Blank : 45° Narrow Flood	Blank : 3000K	Blank : Damp Location
	BB : All Black	-B25 : Spot*	-C90 : 3000K, 90CRI	-WL : Wet Location
	SW : Satin Haze Reflector / White Ring	-B60 : 60° Wide Flood	-C97 : 3000K, 97CRI**	
	N : All Natural Metal		-T17 : 1700K* -T25 : 2500K* -T27 : 2700K	
LR4LH71 : Adjustable 650Lm  40° tilt	BW : Black Reflector / White Ring	Blank : 45° Narrow Flood	-T27-C90 : 2700K, 90+ CRI	Blank : Damp Location
	SW : Satin Haze Reflector / White Ring	-B25 : Spot*	-T27-C97 : 2700K, 97CRI**	-WL : Wet Location
	WW : White Reflector / White Ring	-B60 : 60° Wide Flood	-T35 : 3500K -T40 : 4000K	
			-TWD : 1850K-2700K ⁸ (Warm Dimming)	
LR4LH16 : Adj. Pinhole 650Lm  40° tilt	BW : Black Reflector / White Ring	Blank : 45° Narrow Flood		
	WW : White Reflector / White Ring	-B60 : 60° Wide Flood		
LR4LH19 : Fixed Pinhole 650Lm 	BW : Black Reflector / White Ring	Blank : 45° Narrow Flood		
	WW : White Reflector / White Ring	-B60 : 60° Wide Flood		
LR4LHQ21 :  Square Narrow Aperture 650Lm 40° tilt	BB : All Black	Blank : 45° Narrow Flood		Blank : Damp Location
	W : All White	-B25 : Spot*		-WL : Wet Location
	BC : Black Baffle / Chrome Ring	-B60 : 60° Wide Flood		
	BW : Black Reflector / White Ring			

* Extended lead time may apply. Consult factory. ** Only available in 2700K and 3000K. ⁸ LR4LH21 & LR4LHQ21 only.

3.5" RECESSED LED HOUSING 1,200Lm

ROUND | NEW CONSTRUCTION & REMODEL | 19W/1,200 LM

3.5-INCH RECESSED LED ROUND HOUSING • 19W/1,200LM



ARCHITECTURAL SPECIFICATION

Lumen Package	19W, 1200 Lumens
CCT	1700K, 2500K, 2700K, 2700K 90CRI, 2700 97CRI, 3000K, 3000K 90CRI, 3000K 97CRI, 3500K, and 4000K Binned to 3-step Macadam Ellipses. 1850K-2700K Warm Dimming available for some items.
CRI	80+ Standard, 90+ Option
Lumen Maintenance	50,000 hours L70 Life based on ANSI TM-21 calculations from LM80 Standardized testing
IC Rating	Rated for Insulation Contact and Airtight.
Dimming Options	0-10V 120V/277V, Hi-Lume 1% 120V/277V, UniDim™ Universal Dimming, TRIAC/ELV Dimming
Emergency Options	EM: 5W, Includes Remote Test Switch, Plate cover and j-box.
Input	120V, 120V/277V Universal Option

- 1 Bat-Wing bar hanger brackets adjust 3¼" vertically for multiple ceiling types and accepts ½" EMT, 26" C-Channel Strut for T-Bar ceilings and 27" adjustable linear hanger bars for plaster ceilings or metal/wood joists.
- 2 Pre-wired 16 gauge galvanized steel junction box, 32 cubic inches for maximum of (8) 12 AWG wires. Furnished with (7) ¾" and (4) Romex knockouts. Strain clamps to install/remove covers for easy access.
- 3 Electronic Direct Current UL Listed Driver is mounted in or on the J-box, away from the LED for cooler operation.
- 4 Available for New Construction and Remodel applications.
- 5 Housing is rated for Insulation Contact.
- 6 Pre-wired housing adjusts up to 1¼" ceiling thickness.
- 7 Integral thermal protector guards against improper installation.

PHOTOMETRY

LR4LH L08121604	MULTIPLIERS	ZONAL LUMEN SUMMARY	CANDELA TABULATION
System Power : 19.0W	FINISHES	ZONE	
Test File No. : L08121604	Black 0.70	LUMENS	
Lum. Diameter : 2.04"	White 0.87	%FIXT	
Color Temperature : 3050K	Clear 1.00	0-20 734.55 64.00	
CRI : 80.0+		0-30 1010.43 88.00	
Lumens Delivered : 1,148		0-40 1103.30 96.10	
Power Factor : 1.0		0-60 1145.59 99.80	
		0-90 1148.43 100.00	

25° SPOT				45° NARROW FLOOD				60° WIDE FLOOD			
CBCP : 4,478 Maximum Candela				CBCP : 3,047 Maximum Candela				CBCP : 2,786 Maximum Candela			
HEIGHT (Ft)	CBFC	Ø @ 50%	Ø @ 90%	HEIGHT (Ft)	CBFC	Ø @ 50%	Ø @ 90%	HEIGHT (Ft)	CBFC	Ø @ 50%	Ø @ 90%
7	83.1	15'	37'	7	60.8	19'	37'	7	55.9	20'	40'
8	69.1	17'	40'	8	47.3	22'	42'	8	42.9	23'	45'
9	54.0	22'	46'	9	37.4	25'	46'	9	33.9	27'	50'
12	30.2	25'	60'	10	30.2	27'	48'	10	27.8	30'	56'
15	19.7	30'	75'	12	20.9	33'	62'	12	19.3	35'	65'

3.5" RECESSED LED TRIM 1,200Lm

DOWNLIGHT | ADJ. WALL WASH | FIXED & ADJ. PINHOLE | SQUARE NARROW APERTURE

High-output miniature architectural-grade LED reflector trim for commercial and high-end residential installations. Designed for low to medium height ceilings. Trim ring constructed of heavy-duty die-cast aluminum.

BENEFITS



- 277V input and emergency battery back-up options
- Driver mounted away from LED for cooler operation
- Single LED Optics mimics single point MR16 appearance
- Powerful: over 1200 lumens delivered
- Miniature aperture is perfect for hard to light spaces and allows uncluttered ceilings

HOUSING FRAME ORDERING






Example: **LHJLD419C70UE-D10-EM/C260-J**

HOUSING#	OPTION	EMERGENCY	ACCESSORIES
LHJLD419C70 : 19W New Construction*	Blank : None	Blank : None	Blank : None
LHBLD4R19C70 : 19W Remodel	-DIN : 120V Incandescent Dimming UE : 120V / 277V UE-D10 : 120V-277V (0-10V Dimming) UE-DUN : 120V-277V (ELV/ 0-10V Universal Dimming)* UE-DHL : Hi-Lume Dimming (120V/277V) -347-D10 : 0-10V 10% Dimming	-EM : Emergency**	/HB24 : Adjustable Hanger Bar Set /C260-J : Adj. C-Channel Hanger Bar Set

* Not rated for Insulation Contact. ** Remote SW Emergency. New Construction only.

LED TRIM ORDERING

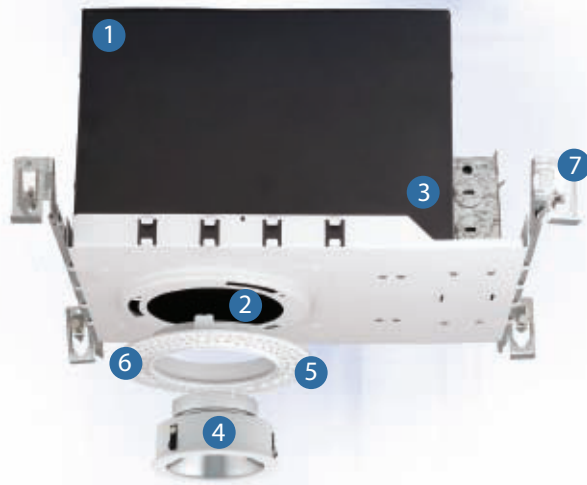
Example: **LR4LH71WW-L12-B25-T17-WL**

TRIM STYLE	REFLECTOR FINISH	BEAM SPREAD	LED	RATING
LR4LH21 : Downlight 1200Lm 	W-L12 : All White	Blank : 45° Narrow Flood	Blank : 3000K	Blank : Damp Location
	BB-L12 : All Black	-B25 : Spot*	-C90 : 3000K, 90CRI	-WL : Wet Location
	N-L12 : All Natural Metal	-B60 : 60° Wide Flood	-C97 : 3000K, 97CRI**	
	SW-L12 : Satin Haze Reflector / White Ring		-T17 : 1700K* -T25 : 2500K*	
LR4LH71 : Adjustable 1200Lm  40° tilt	BW-L12 : Black Reflector / White Ring	Blank : 45° Narrow Flood	-T27 : 2700K	Blank : Damp Location
	SW-L12 : Satin Haze Reflector / White Ring	-B25 : Spot*	-T27-C90 : 2700K, 90+ CRI	-WL : Wet Location
	WW-L12 : White Reflector / White Ring	-B60 : 60° Wide Flood	-T27-C97 : 2700K, 97CRI**	
			-T35 : 3500K -T40 : 4000K	
LR4LH16 : Adj. Pinhole 1200Lm  40° tilt	BW-L12 : Black Reflector / White Ring	Blank : 45° Narrow Flood		
	WW-L12 : White Reflector / White Ring	-B60 : 60° Wide Flood		
LR4LH19 : Fixed Pinhole 1200Lm 	BW-L12 : Black Reflector / White Ring	Blank : 45° Narrow Flood		
	WW-L12 : White Reflector / White Ring	-B60 : 60° Wide Flood		
LR4LHQ21 :  Square Narrow Aperture 1200Lm 40° tilt	BB-L12 : All Black	Blank : 45° Narrow Flood		Blank : Damp Location
	W-L12 : All White	-B25 : Spot*		-WL : Wet Location
	BC-L12 : Black Baffle / Chrome Ring	-B60 : 60° Wide Flood		
	BW-L12 : Black Reflector / White Ring			

* Extended lead time may apply. Consult factory. ** Only available in 2700K and 3000K. ®LR4LH21 & LR4LHQ21 only.

3.5" RECESSED LED HOUSING 650Lm

ROUND | FLANGELESS | NEW CONSTRUCTION | 12W/650 LM



- 1 Housing painted black to reduce stray light
- 2 Internal gasketing of power supply to eliminate vibration noise
- 3 Easy access power supply mounted inside box for easy maintenance
- 4 Fully die-cast architectural trims

ARCHITECTURAL SPECIFICATION

Lumen Package	12W, 650 Lumens
CCT	1700K, 2500K, 2700K, 2700K 90CRI, 2700 97CRI, 3000K, 3000K 90CRI, 3000K 97CRI, 3500K, and 4000K Binned to 3-step Macadam Ellipses. 1850K-2700K Warm Dimming available for some items.
CRI	80+ Standard, 90+ Option
Lumen Maintenance	50,000 hours L70 Life based on ANSI TM-21 calculations from LM80 Standardized testing
IC Rating	Rated for Insulation Contact and Airtight.
Dimming Options	0-10V 120V/277V, Hi-Lume 1% 120V/277V, UniDim™ Universal Dimming, TRIAC/ELV Dimming
Emergency Options	EM: 5W, Includes Remote Test Switch, Plate cover and j-box.
Input	120V, 120V/277V Universal Option

- 5 Die-cast plaster frame for seamless integration with ceiling
- 6 Pre-set mounting holes for 1/2", 5/8", 3/4", and 1" ceiling thickness for easy installation
- 7 Adjustable 24" hanger bars included with housing



Architectural-grade recessed "Trimless" downlight for low to medium height ceilings for residential and commercial installations.

Flangeless trim design provides a "clean" unobstructed "zero-sight" line ceiling.

PHOTOMETRY

LRX4LH L08121604	MULTIPLIERS		ZONAL LUMEN SUMMARY			CANDELA TABULATION
System Power : 12.0W	FINISHES	COLOR TEMP	ZONE	LUMENS	%FIXT	
Test File No. : L08121604	Black 0.70	2,700K 0.90	0-20	394.92	64.00	
Lum. Diameter : 2.04"	White 0.87	3,000K 1.00	0-30	543.24	88.00	
Color Temperature : 3000K	Clear 1.00	4,000K 1.13	0-40	593.17	96.10	
CRI : 80.0+			0-60	615.91	99.80	
Lumens Delivered : 650			0-90	617.44	100.00	
Power Factor : 1.0						

3.5" RECESSED LED FLANGELESS TRIM 650Lm

DOWNLIGHT REFLECTOR | DOWNLIGHT BAFFLE | ADJUSTABLE SLOT | LENSED | PINHOLE

Architectural-grade recessed "Trimless" downlight for low to medium height ceilings for residential commercial installations. Trimless design provides a clean unobstructed "zero-sight" line ceiling. Die-Cast aluminum plaster frame disc installed on housing for easy installation. A variety of trims, compatible styles and finishes are available to achieve the proper décor and illumination.

BENEFITS



- 277V input option. New High Output 12W LED
- Driver mounted away from LED for cooler operation
- LED binned to within 3-Step MacAdam Ellipses (SDCM)
- Specification grade 90 CRI Option
- Illuminates like 50W MR16. Singular Optic LED
- Warm Dimming Option (Incandescent-like dimming)

HOUSING FRAME ORDERING


Example: **LHXLD412C35UE-DUN-EM**

HOUSING#	DRIVER	OPTION
LHXLD412C35 : 12W New Construction	Blank : 120V Non-Dimming -DIN : 120V Incandescent Dimming UE : 120V / 277V Non-Dimming UE-D10 : 120V-277V (0-10V Dimming) UE-DUN : 120V-277V (ELV/ 0-10V Universal Dimming) DHL : Hi-Lume Dimming (120V/277V)*	Blank : None -EM : Emergency

* Not available for Remodel. Only dims in 120V.

LED TRIM ORDERING

Example: **LRX4LH21SW-B30-T27**

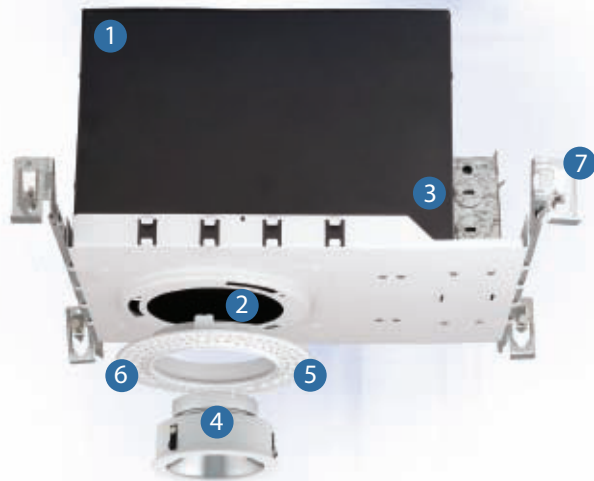
TRIM STYLE	TRIM FINISH	BEAM SPREAD	LED
LRX4LH21 : Flangeless Downlight 650Lm 	W : All White SW : Satin Reflector/White Ring	Blank : 45° Narrow Flood -B30 : 30° Spot -B60 : 60° Wide Flood	Blank : 3000K -C90 : 3000K, 90CRI -C97 : 3000K, 97CRI** -T17 : 1700K* -T25 : 2500K* -T27 : 2700K
LRX4LH73 : Flangeless Downlight (Baffle) 650Lm 	W : White	Blank : 45° Narrow Flood -B30 : 30° Spot -B60 : 60° Wide Flood	-T27-C90 : 2700K, 90+ CRI -T27-C97 : 2700K, 97CRI** -T35 : 3500K -T40 : 4000K
LRX4LH20 : Flangeless Adjustable 650Lm  45° tilt	W : White	Blank : 45° Narrow Flood -B30 : 30° Spot -B60 : 60° Wide Flood	-TWD : 1850K-2700K Warm Dimming
LRX4LH19 : Flangeless (Fixed) Pinhole 650Lm 	W : White	Blank : 45° Narrow Flood -B30 : 30° Spot -B60 : 60° Wide Flood	
LRX4LH22 : Flangeless Lensed 650Lm 	W : White	Blank : 45° Narrow Flood -B30 : 30° Spot -B60 : 60° Wide Flood	

* Extended lead time may apply. Consult factory. ** Only available in 2700K and 3000K.

3.5" RECESSED LED HOUSING 1,200Lm

ROUND | FLANGELESS | NEW CONSTRUCTION | 19W/1200 LM

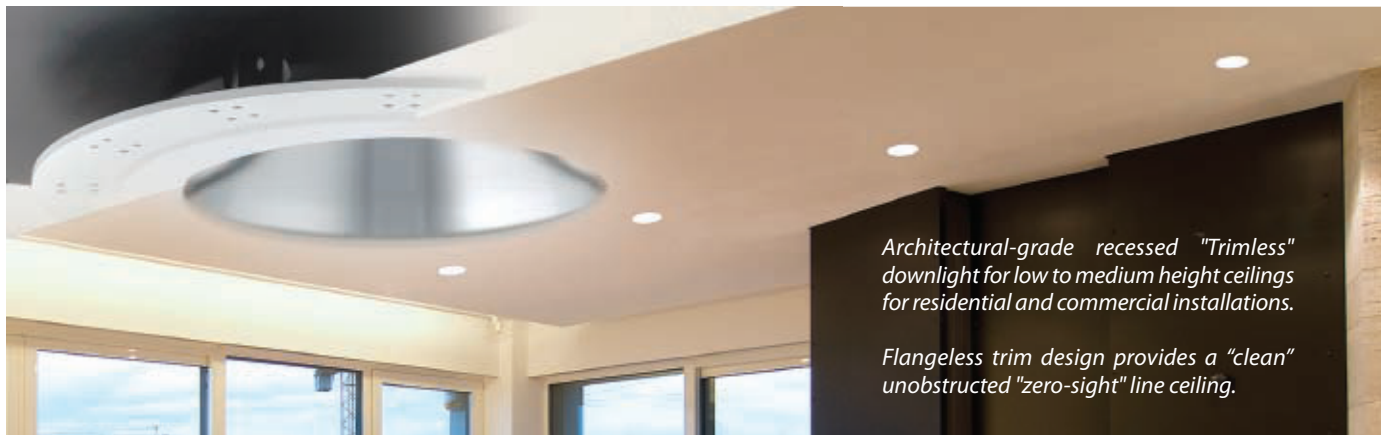
3.5-INCH RECESSED LED FLANGELESS ROUND HOUSING • 19W/1,200LM



ARCHITECTURAL SPECIFICATION

Lumen Package	19W, 1200 Lumens
CCT	1700K, 2500K, 2700K, 2700K 90CRI, 2700 97CRI, 3000K, 3000K 90CRI, 3000K 97CRI, 3500K, and 4000K Binned to 3-step Macadam Ellipses.
CRI	80+ Standard, 90+ Option
Lumen Maintenance	50,000 hours L70 Life based on ANSI TM-21 calculations from LM80 Standardized testing
IC Rating	Rated for Insulation Contact and Airtight.
Dimming Options	0-10V 120V/277V, Hi-Lume 1% 120V/277V, UniDim™ Universal Dimming, TRIAC/ELV Dimming
Emergency Options	EM: 5W, Includes Remote Test Switch, Plate cover and j-box.
Input	120V, 120V/277V Universal Option

- 1 Housing painted black to reduce stray light
- 2 Internal gasketing of power supply to eliminate vibration noise
- 3 Easy access power supply mounted inside box for easy maintenance
- 4 Fully die-cast architectural trims
- 5 Die-cast plaster frame for seamless integration with ceiling
- 6 Pre-set mounting holes for 1/2", 5/8", 3/4", and 1" ceiling thickness for easy installation
- 7 Adjustable 24" hanger bars included with housing



Architectural-grade recessed "Trimless" downlight for low to medium height ceilings for residential and commercial installations.

Flangeless trim design provides a "clean" unobstructed "zero-sight" line ceiling.

25° SPOT

CBCP: 4,478 Maximum Candela

HEIGHT (Ft)	CBFC	Ø @ 50%	Ø @ 90%
7	83.1	15'	37'
8	69.1	17'	40'
9	54.0	22'	46'
12	30.2	25'	60'
15	19.7	30'	75'

45° NARROW FLOOD

CBCP: 3,047 Maximum Candela

HEIGHT (Ft)	CBFC	Ø @ 50%	Ø @ 90%
7	60.8	19'	37'
8	47.3	22'	42'
9	37.4	25'	46'
10	30.2	27'	48'
12	20.9	33'	62'

60° WIDE FLOOD

CBCP: 2,786 Maximum Candela

HEIGHT (Ft)	CBFC	Ø @ 50%	Ø @ 90%
7	55.9	20'	40'
8	42.9	23'	45'
9	33.9	27'	50'
10	27.8	30'	56'
12	19.3	35'	65'

3.5" RECESSED LED FLANGELESS TRIM 1,200Lm

DOWNLIGHT REFLECTOR | DOWNLIGHT BAFFLE | ADJUSTABLE SLOT | LENSED | PINHOLE

Architectural-grade recessed "Trimless" downlight for low to medium height ceilings for residential commercial installations. Trimless design provides a clean unobstructed "zero-sight" line ceiling. Die-Cast aluminum plaster frame disc installed on housing for easy installation. A variety of trims, compatible styles and finishes are available to achieve the proper décor and illumination.

BENEFITS



- 277V input option. New High Output 19W LED
- Driver mounted away from LED for cooler operation
- LED binned to within 3-Step MacAdam Ellipses (SDCM)
- Specification grade 90 CRI Option
- Illuminates like 75W MR16. Singular Optic LED

HOUSING FRAME ORDERING

Example: **LHXLD419C70UE-DUN-EM**

HOUSING#	DRIVER	OPTION
LHXLD419C70 : 19W New Construction	Blank : 120V Non-Dimming	Blank : None
	-DIN : 120V Incandescent Dimming	-EM : Emergency
	UE : 120V / 277V Non-Dimming	
	UE-D10 : 120V-277V (0-10V Dimming)	
	UE-DUN : 120V-277V (ELV/ 0-10V Universal Dimming)	
	DHL : Hi-Lume Dimming (120V/277V)*	

* Not available for Remodel. Only dims in 120V.

LED TRIM ORDERING

Example: **LRX4LH21SW-L12-B25-C97**

TRIM STYLE	TRIM FINISH	BEAM SPREAD	LED
LRX4LH21 : Flangeless Downlight 1200Lm 	W-L12 : All White	Blank : 45° Narrow Flood	Blank : 3000K
	SW-L12 : Satin Reflector/White Ring	-B25 : 25° Spot	-C90 : 3000K, 90CRI
		-B60 : 60° Wide Flood	-C97 : 3000K, 97CRI**
LRX4LH73 : Flangeless Downlight (Baffle) 1200Lm 	W-L12 : White	Blank : 45° Narrow Flood	-T17 : 1700K*
		-B25 : 25° Spot	-T25 : 2500K*
		-B60 : 60° Wide Flood	-T27 : 2700K
LRX4LH20 : Flangeless Adjustable 1200Lm  45° tilt	W-L12 : White	Blank : 45° Narrow Flood	-T27-C90 : 2700K, 90+ CRI
		-B25 : 25° Spot	-T27-C97 : 2700K, 97CRI**
		-B60 : 60° Wide Flood	-T35 : 3500K
LRX4LH19 : Flangeless (Fixed) Pinhole 1200Lm 	W-L12 : White	Blank : 45° Narrow Flood	-T40 : 4000K
		-B25 : 25° Spot	
		-B60 : 60° Wide Flood	
LRX4LH22 : Flangeless Lensed 1200Lm 	W-L12 : White	Blank : 45° Narrow Flood	
		-B25 : 25° Spot	
		-B60 : 60° Wide Flood	

* Extended lead time may apply. Consult factory. ** Only available in 2700K and 3000K.

4" RECESSED LED DOWNLIGHT HOUSING & TRIM 1,100-3,500Lm

LHALD4/LRALD4 SERIES



One piece, self-flanged dual-reflector LED design enables a clean trim finish, without the need for a secondary trim ring. Heavy-gauge aluminum reflector prevents ugly dents during shipping and installation. Deeply mounted singular LED provides 50 degree visual cutoff for a glare-free appearance. Held in place with two steel pressure vsprings for a tight fit and easy scratch-less removal.

- 1 Specification Grade, 90 CRI Standard
- 2 New 25°, 45°, and 60° Options
- 3 Low Glare Dual-Optical Design
- 4 Tool-Less LED Module Replacement






BENEFITS

- Heavy-duty aluminum LED connector for firm connection
- Driver mounted on external J-Box for cooler LED operation
- Exclusive UniDim™ Universal LED Dimming Option works with 0-10V, ELV and Incandescent Control Systems

HOUSING FRAME ORDERING

Example: **LHALD411C35UE-DUN-GTD/C260-J**




HOUSING #	DRIVER	OPTION	HANGER BAR
11W LHALD411C35 : New Construction	Blank : 120V Non Dimming ^{AAA}	Blank : None	 /L270 : Linear Hanger Bar Set
	UE : 120V/277V Non Dimming	-GTD : Generator Transfer Device	
	UE-D10 : 120V-277V (0-10V 10% Dimming)	-EM2 : Emergency (10W)	
	UE-D10P1 : 120V-277V (0-10V 1% Dimming) ^{AA}		
25W LHALD425C072 : New Construction LHALD4R25C072 : Remodel	-D10P1 : 120V-277V (0-10V 1% Dimming) ^A		 /C260 : C-Channel Hanger Bar Set
	UE-DUN : 120V-277V (ELV/ 0-10V Universal Dimming)		
40W LHALD440C105 : New Construction	UE-DLI : 120V/277V DALI Dimming ^A		 /C260-J : Adj. C-Channel Hanger Bar Set
	UE-DEC : 120V/277V Lutron Ecosystem ^{AA}		
	UE-DHL : Hi-Lume 1% Dimming (120V/277V) ^{AA}		
	UE-DMX : 120V/277V DMX Dimming [*]		
	-DIN : 120V/277V DMX Dimming ^{AAA}		
	-DINPZ : 120V Incandescent 2-Wire 0% Dimming ^{AA}		
	UE-347 : 347V (0-10V) ^A		
	-347-D10 : 0-10V 10% Dimming ^{AAA}		

^{*} Not for Remodel. ^A 25W only. ^{AA} 25W & 40W. ^{AAA} 11W only.

LED TRIM ORDERING

(Trim Wattage must match Housing Frame Wattage above)

Example: **LRALD4SWF160-B60-T27**

TRIM STYLE	FINISH	LUMEN PACKAGE	BEAM SPREAD	LED	BEAM TILT
11W LRALD4 : Downlight 1100Lm 1600Lm 	WWF : All White	062 : 1100Lm	Blank : 45° Flood	Blank : 3000K	
	SSF : All Satin	160 : 1600Lm	-B25 : 25° Narrow Flood	-C90 : 3000K, 90CRI	
	SWF : Satin/White		-B60 : 60° Wide Flood	-C97 : 3000K, 97CRI**	
25W LRALD4 : Downlight 2000Lm 3000Lm 	WWF : All White	152 : 2000Lm 25W LED		-T17 : 1700K*	
	SSF : All Satin	242 : 3000Lm 25W LED		-T25 : 2500K*	
	SWF : Satin/White			-T27 : 2700K	
40W LRALD4 : Downlight 3500Lm 	WWF : All White	350 : 3500Lm		-T27-C97 : 2700K, 97CRI**	
	SSF : All Satin			-T35 : 3500K	
	SWF : Satin/White			-T40 : 4000K	
				-TWD : 1850K-3050K (Warm Dimming)***	

^{*} Extended lead time may apply. Consult factory. ^{**} Only available in 2700K and 3000K. ^{***} Only available for 2000Lm package.

4-INCH RECESSED LED HOUSING & TRIM • 1,100LM-3,500LM

4" RECESSED LED WALL WASH HOUSING & TRIM 1,100-3,500Lm

LHALD4/LRALD471 SERIES



Architectural-grade recessed LED downlight utilizes a lens-controlled redirection of the beamspread to light walls, art, signs and graphics.

- ① Specification Grade, 90CRI and 97CRI options
- ② All lumen packages use the same housing
- ③ Smooth, scallop free lumen distribution
- ④ 1% dimming options: 1% 0-10V, 1% DMX



BENEFITS

- Heavy-duty aluminum LED connector for firm connection
- 277V input and emergency battery back-up options
- Driver mounted away from LED for cooler operation
- New Construction and Remodel
- One piece self-flanged design allows easy installation
- Smooth, scallop free lumen distribution

HOUSING FRAME ORDERING

Example: **LHALD411C35UE-DUN-GTD/C260-J**

HOUSING #	DRIVER	OPTION	HANGER BAR
	Blank : 120V Non Dimming ^{^^^}	Blank : None	
11W	LHALD411C35 : New Construction	UE : 120V/277V Non Dimming	/L270 : Linear Hanger Bar Set
		UE-D10 : 120V-277V (0-10V 10% Dimming)	
		UE-D10P1 : 120V-277V (0-10V 1% Dimming) ^{^^}	
25W	LHALD425C072 : New Construction	-D10P1 : 120V-277V (0-10V 1% Dimming) [^]	/C260 : C-Channel Hanger Bar Set
	LHALD4R25C072 : Remodel	UE-DUN : 120V-277V (ELV/ 0-10V Universal Dimming)	
40W	LHALD440C105 : New Construction	UE-DLI : 120V/277V DALI Dimming [^]	/C260-J : Adj. C-Channel Hanger Bar Set
		UE-DEC : 120V/277V Lutron Ecosystem ^{^^}	
		UE-DHL : Hi-Lume 1% Dimming (120V/277V) ^{^^}	
		UE-DMX : 120V/277V DMX Dimming [*]	
		-DIN : 120V/277V DMX Dimming ^{^^^}	
		-DINPZ : 120V Incandescent 2-Wire 0% Dimming ^{^^}	
	UE-347 : 347V (0-10V) [^]		
	-347-D10 : 0-10V 10% Dimming ^{^^^}		

* Not for Remodel. ^ 25W only. ^^ 25W & 40W. ^^ ^ 11W only.

LED TRIM ORDERING

(Trim wattage must match housing frame wattage above)

Example: **LRALD471SWF160-T27-FR**

TRIM STYLE	FINISH	LUMEN PACKAGE	LED	LENS TYPE
11W	LRALD471 : Wall Wash 1100Lm 1600Lm	WWF : All White	Blank : 3000K	Blank : None -FR : Frosted
		SSF : All Satin	-C90 : 3000K, 90CRI	
		SWF : Satin/White	-C97 : 3000K, 97CRI***	
25W	LRALD471 : Wall Wash 2000Lm 3000Lm		-T17 : 1700K**	
		WWF : All White	-T25 : 2500K**	
		SSF : All Satin	-T27 : 2700K	
40W	LRALD471 : Wall Wash 3500Lm		-T27-C90 : 2700K, 90CRI	
		WWF : All White	-T27-C97 : 2700K, 97CRI***	
		SSF : All Satin	-T35 : 3500K	
		SWF : Satin/White	-T40 : 4000K	

* Standard in 3000K, 80CRI only. ** Extended lead time may apply. Consult factory. *** Only available in 2700K and 3000K.

4" RECESSED LED ADJUSTABLE HOUSING 1,500 - 4,000Lm

LHAJLD4 SERIES | 120V-277V | UP TO 4,000 LUMENS | CRI 90+

An Exceptionally Versatile Luminaire

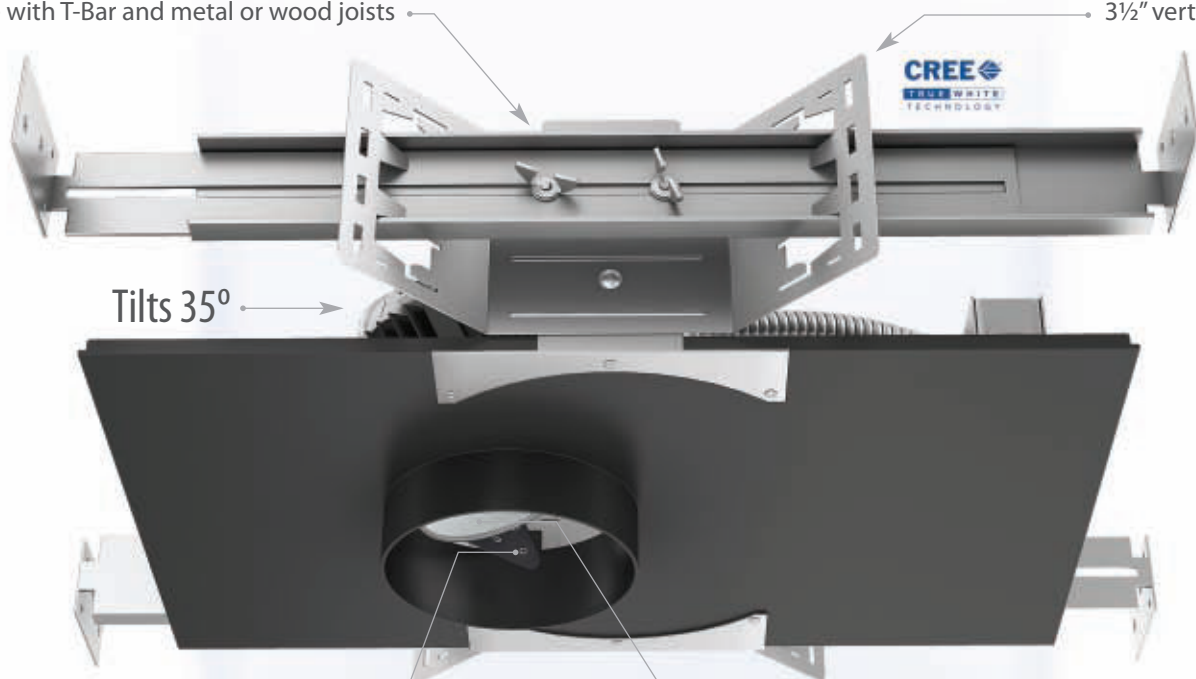
Designed to function as a **4-inch** downlight, wall wash and accent light. Perfectly suited for medium height to high ceilings in commercial, architectural and hospitality applications. Exceptional versatility, very tight binning and high CRI make this product a specifier's dream.

New Commercial Grade

heavy-duty steel hanger bar option.
For use with T-Bar and metal or wood joists

Heavy-Duty Bat-Wing

brackets adjust up to
3 1/2" vertically



LED Module Holder

Tilts up to 35° for desired beam placement. Adjusts from below ceiling.



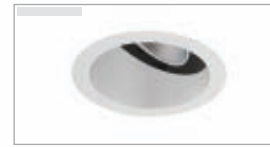
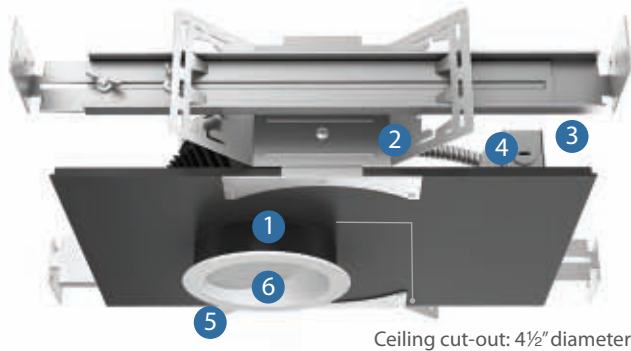
Optic Module

is easily removed from below ceiling for service, future upgrades or desired changes in beam spread. No tools required.

4-INCH RECESSED LED ADJUSTABLE HOUSING • 1,500LM-4,000LM

4" RECESSED LED ADJUSTABLE TRIM 1,500 - 4,000Lm

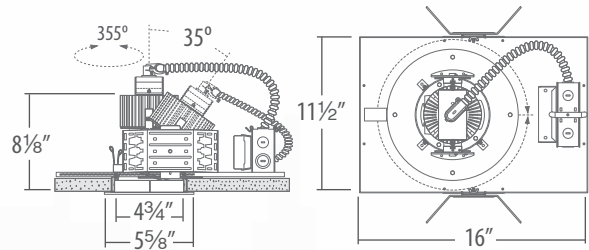
LHAJLD4 SERIES | 120V-277V | UP TO 4,000 LUMENS | CRI 90+



LRA471 | Open Reflector



LRA472 | Lensed Reflector



4-inch Architectural-Grade Square Recessed LED Housing designed for medium to high ceiling heights in retail, hospitality, commercial and architectural applications

- 1 Collar bracket provides 30° of rotation, marked in 5° increments for positioning before drywall installation. Lamp holder assembly allows 35° tilt.
- 2 Housing for new construction installations only, Bat-Wing bar hanger brackets adjust vertically 3 1/4" for multiple ceiling types. Heavy-duty steel hanger bars (C260-J) optional. Accepts 1/2" EMT, 26" C-Channel Strut for T-Bar ceilings and 27" adjustable linear bar hangers (optional).
- 3 16 gauge pre-wired galvanized steel Junction Box, 32 cubic-inch for a max. of (8) #12 AWG wires. Furnished with (7) 3/4" and (4) Romex knock-outs. Strain clamps to install or remove covers for easy access and ground wire. Equipped with safety standard fitting for flex-conduit.
- 4 Electronic Direct Current LED driver integrally mounted in electric junction box.
- 5 Solid die-cast aluminum construction for long lasting beauty with Steel V-Spring retainers for tight fit and easy servicing.
- 6 UniDim (-DUN) option is a universal dimming system that works with most 3-Wire ELV, 2-Wire Incandescent and 5-Wire 0-10V fluorescent dimmers.



OPTIONAL HEAVY-DUTY ADJUSTABLE HANGER BAR SET (C260-J)



Dimmable

BENEFITS

- Features Cree TrueWhite® Technology
- Functions as a Downlight, Wall Wash or Accent Light
- Internal adjustments allow precise aiming of the beam
- Round trim collar rotates to allow exact alignment prior to ceiling finish



ORDERING HOUSING AND TRIM

Example: **LHAJLD450C140UE-DUN-B60-T40/LRA471WWF**

HOUSING	OPTIONS	BEAMSPREAD	LED	TRIM STYLE	FINISH
LHAJLD415C035 : 1500Lm	UE : 120V/277V	Blank : 45° Flood	Blank : 3000K	/LRA471	WWF : All White
LHAJLD420C050 : 2000Lm	UE-DUN : UniDim™ Dimming	-B25 : 25° Narrow	-C90 : 3000K, 90CRI	Open Reflector	SSF : All Satin Haze
LHAJLD425C070 : 2500Lm	UE-EM : 120V/277V Emergency	-B60 : 60° Wide Flood	-C97 : 3000K, 97CRI**	/LRA472	SWF : Satin Reflector / White Flange
LHAJLD435C105 : 3500Lm	UE-DUN-EM : UniDim™ Emergency		-T17 : 1700K*	Lensed Reflector	
LHAJLD450C140 : 4000Lm			-T25 : 2500K*		
			-T27 : 2700K		
			-T27-C90 : 2700K, 90+CRI		
			-T27-C97 : 2700K, 97CRI**		
			-T35 : 3500K		
			-T40 : 4000K		

* Extended lead time for quantity over 100.
** Only available in 2700K and 3000K.

ALL LITON ARCHITECTURAL LED PRODUCTS ARE ASSEMBLED IN THE USA & INCLUDE A 5-YEAR LIMITED WARRANTY

4" RECESSED LED ADJ. SQUARE HOUSING 1,500 - 4,000Lm

LHAJLDQ4 SERIES | 120V-277V | UP TO 4,000 LUMENS | CRI 90+

An Exceptionally Versatile Luminaire

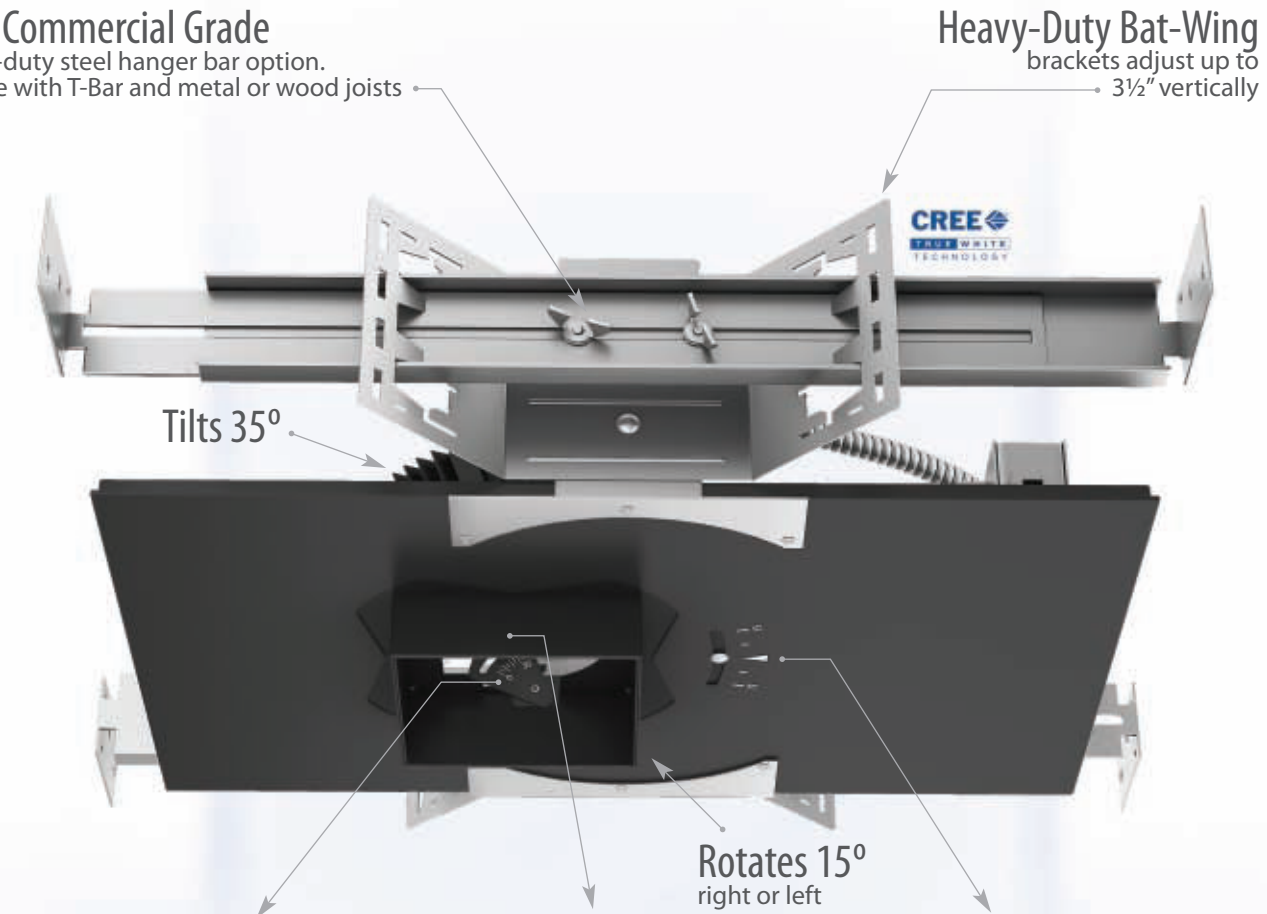
Designed to function as a **4-inch square** downlight, wall wash and accent light. Perfectly suited for medium height to high ceilings in commercial, architectural and hospitality applications. Exceptional versatility, very tight binning and high CRI make this product a specifier's dream.

New Commercial Grade

heavy-duty steel hanger bar option.
For use with T-Bar and metal or wood joists

Heavy-Duty Bat-Wing

brackets adjust up to
3 1/2" vertically



LED Module Holder

Tilts up to 35° for desired beam placement. Adjusts from below ceiling.



Optic Module

is easily removed from below ceiling for service, future upgrades or desired changes in beam spread. No tools required.

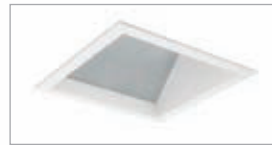
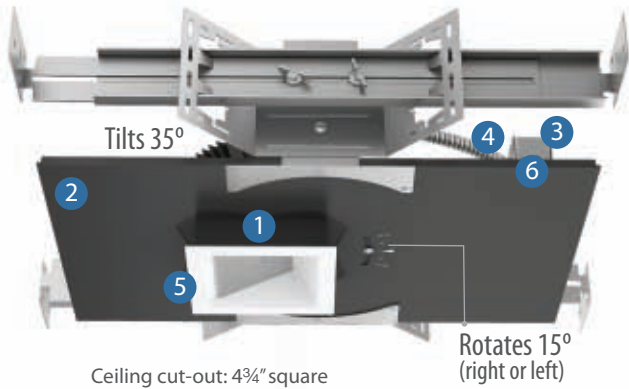


Square Collar

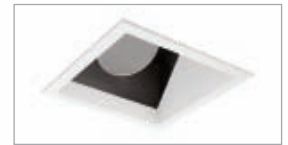
rotates 30° for easy alignment of trims prior to ceiling finish.

4" RECESSED LED ADJ. SQUARE HOUSING 1,500 - 4,000Lm

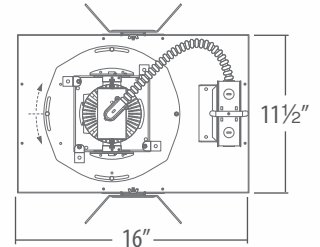
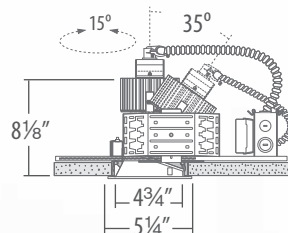
LHAJLDQ4 SERIES | 120V-277V | UP TO 4,000 LUMENS | CRI 90+



LRAQ471 | Lensed Wall Wash / Slope



LRAQ472 | Open Wall Wash / Slope



4-inch Architectural-Grade Square Recessed LED Housing designed for medium to high ceiling heights in retail, hospitality, commercial and architectural applications

- 1 Collar bracket provides 30° of rotation, marked in 5° increments for positioning before drywall installation. Lamp holder assembly allows 35° tilt.
- 2 Housing for new construction installations only, Bat-Wing bar hanger brackets adjust vertically 3 1/4" for multiple ceiling types. Heavy-duty steel hanger bars (C260-J) optional. Accepts 1/2" EMT, 26" C-Channel Strut for T-Bar ceilings and 27" adjustable linear bar hangers (optional).
- 3 16 gauge pre-wired galvanized steel Junction Box, 32 cubic-inch for a max. of (8) #12 AWG wires. Furnished with (7) 3/4" and (4) Romex knock-outs. Strain clamps to install or remove covers for easy access and ground wire. Equipped with safety standard fitting for flex-conduit.
- 4 Electronic Direct Current LED driver integrally mounted in electric junction box.
- 5 Solid die-cast aluminum construction for long lasting beauty with Steel V-Spring retainers for tight fit and easy servicing.
- 6 UniDim (-DUN) option is a universal dimming system that works with most 3-Wire ELV, 2-Wire Incandescent and 5-Wire 0-10V fluorescent dimmers.



OPTIONAL HEAVY-DUTY ADJUSTABLE HANGER BAR SET (C260-J)



Dimmable

BENEFITS

- Features Cree TrueWhite® Technology
- Functions as a Downlight, Wall Wash or Accent Light
- Internal adjustments allow precise aiming of the beam
- Square trim collar rotates to allow exact alignment prior to ceiling finish



ORDERING SQUARE HOUSING AND TRIM

Example: **LHAJLDQ450C140UE-DUN-B60-T40/LRAQ472W**

HOUSING	OPTIONS	BEAMSPREAD	LED	TRIM STYLE	FINISH
LHAJLDQ415C035 : 1500Lm	UE : 120V/277V	Blank : 45° Flood	Blank : 3000K	/LRAQ472 : Open Wall Wash / Slope	W : All White
LHAJLDQ420C050 : 2000Lm	UE-DUN : UniDim™ Dimming	-B25 : 25° Narrow	-C90 : 3000K, 90CRI	/LRAQ471 : Lensed Wall Wash / Slope	B : All Black
LHAJLDQ425C070 : 2500Lm	UE-EM : 120V/277V Emergency	-B60 : 60° Wide Flood	-C97 : 3000K, 97CRI**		S : All Satin
LHAJLDQ435C105 : 3500Lm	UE-DUN-EM : UniDim™ Emergency		-T17 : 1700K*		
LHAJLDQ450C140 : 4000Lm			-T25 : 2500K*		
			-T27 : 2700K		
			-T27-C90 : 2700K, 90+CRI		
			-T27-C97 : 2700K, 97CRI**		
			-T35 : 3500K		
			-T40 : 4000K		

* Extended lead time for quantity over 100.
** Only available in 2700K and 3000K.

ALL LITON ARCHITECTURAL LED PRODUCTS ARE ASSEMBLED IN THE USA & INCLUDE A 5-YEAR LIMITED WARRANTY

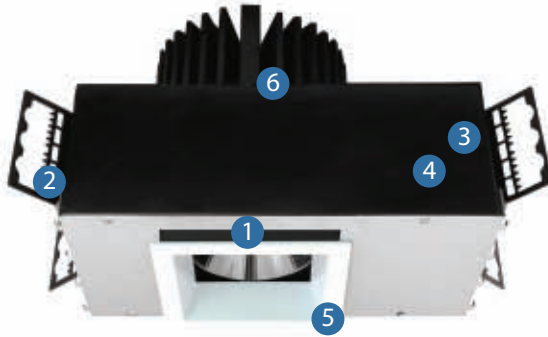
4-INCH RECESSED LED DOWNLIGHT

One piece, self-flanged dual-reflector LED design enables a clean trim finish, without the need for a secondary trim ring.



4" RECESSED LED SQUARE DOWNLIGHT HOUSING & TRIM

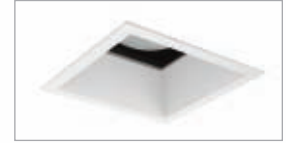
1,000 - 4,000Lm | 120V-277V | UP TO 4,000 LUMENS | CRI 90+



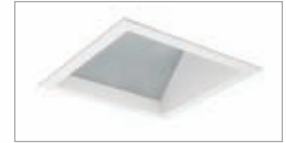
Ceiling cut-out: 5" square



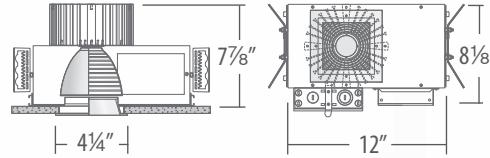
LRAQ42 | Lensed Reflector



LRAQ41 | Open Reflector



LRAQ47 | Lensed Wall Wash



4-inch Architectural-Grade Square Recessed LED Housing can be used as a downlight and as an adjustable wall wash. Collar bracket can be rotated up to 30° and locked-in to insure correct alignment prior to ceiling finish. Internal aiming mechanism allows 35° tilt adjustment from below the ceiling for correct placement of the beam. Designed for medium to high ceiling heights in retail, hospitality, commercial and architectural applications.

- 1 Collar bracket provides 30° of rotation, marked in 5° increments for positioning before drywall installation. Lamp holder assembly allows 35° tilt.
- 2 Housing for new construction installations only, Bat-Wing bar hanger brackets adjust vertically 3 1/4" for multiple ceiling types. Heavy-duty steel hanger bars (C260-J) optional. Accepts 1/2" EMT, 26" C-Channel Strut for T-Bar ceilings and 27" adjustable linear bar hangers (optional).
- 3 16 gauge pre-wired galvanized steel Junction Box, 32 cubic-inch for a max. of (8) #12 AWG wires. Furnished with (7) 3/4" and (4) Romex knock-outs. Strain clamps to install or remove covers for easy access and ground wire. Equipped with safety standard fitting for flex-conduit.
- 4 Electronic Direct Current LED driver integrally mounted in electric junction box.
- 5 Solid die-cast aluminum construction for long lasting beauty with Steel V-Spring retainers for tight fit and easy servicing.
- 6 UniDim (-DUN) option is a universal dimming system that works with most 3-Wire ELV, 2-Wire Incandescent and 5-Wire 0-10V fluorescent dimmers.



OPTIONAL HEAVY-DUTY ADJUSTABLE HANGER BAR SET (C260-J)



Dimmable

BENEFITS

- Features Cree TrueWhite® Technology
- Functions as a Downlight, Wall Wash or Accent Light
- Internal adjustments allow precise aiming of the beam
- Square trim collar rotates to allow exact alignment prior to ceiling finish



ORDERING SQUARE HOUSING AND TRIM

Example: **LHABLDQ450C140UE-DUN-B60-T40/LRAQ42W**

HOUSING	OPTIONS	BEAMSPREAD	LED	TRIM STYLE	FINISH
LHABLDQ412C025 : 1000Lm	UE : 120V/277V	Blank : 30° Flood	Blank : 3000K	/LRAQ42 : Reflector w/ Frosted Glass	W : All White
LHABLDQ415C035 : 1300Lm	UE-DUN : UniDim™ Dimming	-B20 : 20° Narrow	-C90 : 3000K, 90CRI	/LRAQ41 : Open Reflector	B : All Black
LHABLDQ420C050 : 1800Lm	UE-EM : 120V/277V Emergency	-B50 : 50° Wide Flood	-C97 : 3000K, 97CRI**	/LRAQ47 : Wall Wash w/ Frosted Glass	S : All Satin
LHABLDQ425C070 : 2300Lm	UE-DUN-EM : UniDim™ Emergency		-T17 : 1700K*		
LHABLDQ435C105 : 3300Lm			-T25 : 2500K*		
LHABLDQ450C140 : 4000Lm			-T27 : 2700K		
			-T27-C90 : 2700K, 90+CRI		
			-T27-C97 : 2700K, 97CRI**		
			-T35 : 3500K		
			-T40 : 4000K		

* Extended lead time for quantity over 100.
** Only available in 2700K and 3000K.

ALL LITON ARCHITECTURAL LED PRODUCTS ARE ASSEMBLED IN THE USA & INCLUDE A 5-YEAR LIMITED WARRANTY

6" RECESSED LED LUMEN BLAST DOWNLIGHT HOUSING & TRIM

6,000 - 10,000Lm | POWERFUL ILLUMINATION FOR ARCHITECTURAL HIGH CEILINGS

6-INCH RECESSED LUMEN BLAST LED HOUSING & TRIM • 6,000LM-10,000LM



Specification Grade
90 CRI Option

120V/277V
Input Standard

50° Glare Cut Off

1% Dimming Options
1% 0-10V, 1% DMX

NEW

6,000 Lumens

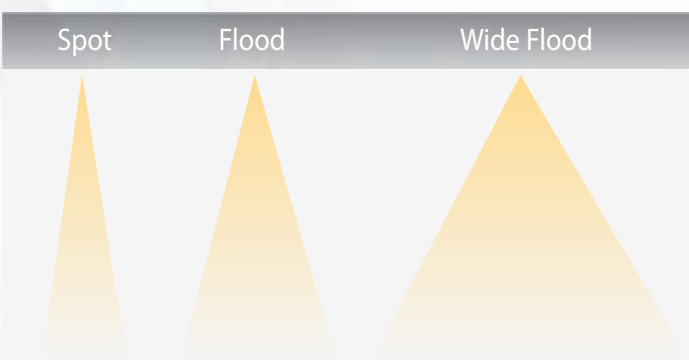
10,000 Lumens



Color Temperature Options

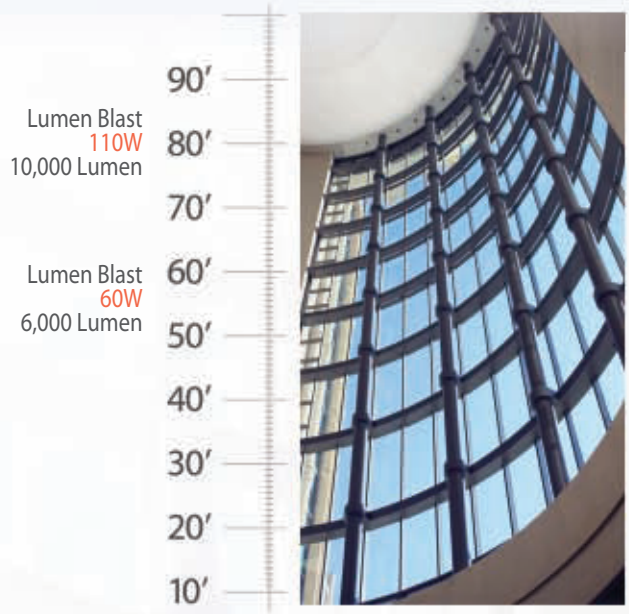
1700K, 2500K, 2700K (90CRI / 97CRI), 3000K (90CRI / 97CRI), 3500K, 4000K Binned to within 3-Step MacAdam Ellipses (SDCM) for Architectural Applications demanding high accuracy

3 Beam Spread Choices



Lumen Blast

Delivers Big Footcandles from High Places



Lumen Blast
110W
10,000 Lumen

Lumen Blast
60W
6,000 Lumen

6" RECESSED LED LUMEN BLAST DOWNLIGHT HOUSING & TRIM

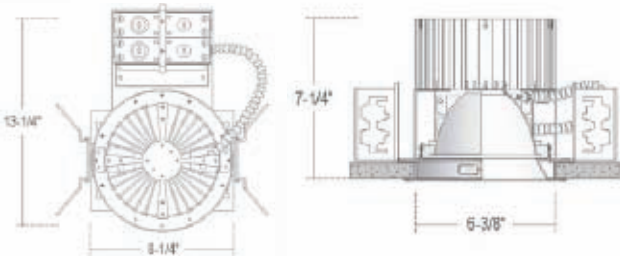
6,000 - 10,000Lm | POWERFUL ILLUMINATION FOR ARCHITECTURAL HIGH CEILINGS

Application

Architectural-grade recessed LED downlight housing for high ceilings combines energy efficiency with powerful lumen output.

Dimming

0-10V 1% dimming option (-D10P1) provides deep dimming to 1% of initial lumens. Works with most 5-wire 0-10V dimming systems. Factory qualified for use with Leviton IP710-DLX and Lutron NTFTV-WH. Dimmable to 1% of initial lumens using DMX dimming controls.



ARCHITECTURAL SPECIFICATION

LUMEN PACKAGES	60W (6,000Lm) 110W (10,000Lm)
CCT	1700K, 2500K, 2700K, 3000K, 3500K, 4000K
CRI	80CRI standard, 90CRI and 97CRI option
GLARE CUT-OFF	50°
LED LAMP LIFE	50,000 (L70 from TM21 Calculations based on LM80 Tests)
DIMMING OPTIONS	1% 0-10V, 1% DMX
INPUT	120V/277V



Beam Spread

Available in Flood, Spot and Wide Flood.

Insulation Contact

Non-IC rated housing must be kept 3" from insulation.

Driver

120V/277V AC 50/60Hz Electronic Direct Current Class 2 driver integrally mounted on large access Junction Box. Power Factor > 0.90. Operating Temperature: -10°C to +80°C. Accessible from above or below ceiling. Consult factory for dimming options and compatible dimmers.

Junction Box

16 gauge pre-wired galvanized steel double Junction Box, 64 cubic-inch for a maximum of (8) #12 AWG wires. Furnished with (10) 3/4", (2) 1" and (8) Romex knockouts. Strain clamps to install or remove covers for easy access and ground wire. Equipped with safety standard die-cast aluminum fitting for flex-conduit.

Mounting

Housing suitable for new construction installations only, Bat-Wing bar hanger brackets adjust vertically 3 1/4" for multiple ceiling types and accepts 1/2" EMT. 26" C Channel Strut for T-bar ceilings and 27" adjustable linear hanger bars for plaster ceilings or wood/metal joists. Heavy duty 16-gauge, die-formed galvanized steel. Bar hangers optional.

ORDERING LUMEN BLAST

Example: **LHABLD6100C200UE-DMX-B40-T35/LRA6SSF**

HOUSING	WATTAGE / LUMENS	DIMMING	BEAMSPREAD	CCT	TRIM
LHABLD6	60C105 : 60W, 6,000Lm	UE : 120V/277V Non Dimming	-B15 : Spot	Blank : 3000K	/LRA6SSF:
		UE-DMX : 1% DMX Dimming	-B40 : Flood	-C90 : 3000K, 90CRI	All Satin Haze
	100C200 : 110W, 10,000Lm*	UE-D10 : 10% 0-10V Dimming	-B70 : Wide Flood	-C97 : 3000K, 97CRI**	/LRA6SWF:
		UE-D10P1 : 120V-277V (0-10V 1% Dimming)		-T17 : 1700K*	Satin Refl./White Flange
		-DINPZ : 2-Wire 0% Dimming		-T25 : 2500K*	/LRA6WWF:
				-T27 : 2700K	All White
				-T27-C90 : 2700K, 90+ CRI	
				-T27-C97 : 2700K, 97CRI**	
				-T35 : 3500K	
				-T40 : 4000K	

* Extended lead time may apply. Consult factory. ** Only available in 2700K and 3000K.

ALL LITON ARCHITECTURAL LED PRODUCTS ARE ASSEMBLED IN THE USA & INCLUDE A 5-YEAR LIMITED WARRANTY

6-INCH RECESSED LED DOWNLIGHT

Architectural-grade recessed downlight reflector for medium to high ceilings in commercial and architectural installations.



6" RECESSED LED DOWNLIGHT HOUSING & TRIM 1,200 - 4,000Lm

LHALD6 SERIES | 1,200LM/1,600LM | 2,000LM/3,000LM | 4,000LM



Architectural-grade recessed downlight reflector for medium to high ceilings in commercial and architectural installations.

- 1 Specification Grade, 90CRI and 97CRI options
- 2 120V/277V input standard
- 3 50° glare cut-off
- 4 1% dimming options: 1% 0-10V, 1% DMX



BENEFITS

- Heavy-duty aluminum LED connector for firm connection
- 277V input and emergency battery back-up options
- Driver mounted away from LED for cooler operation
- New Construction and Remodel

HOUSING FRAME ORDERING

Example: **LHALD612C035UE-DUN-GTD/C260-J**

HOUSING #	DRIVER	OPTION	HANGER BAR
12W	LHALD612C035 : New Construction	Blank : 120V Non Dimming -DINPZ : 2-Wire 0% Dimming ^^	/L270 : Linear Hanger Bar Set
	LHALD6R12C035 : Remodel	UE : 120V/277V Non Dimming UE-D10 : 120V-277V (0-10V 10% Dimming)	
25W	LHALD625C071 : New Construction	UE-D10P1 : 120V-277V (0-10V 1% Dimming) ^^	/C260 : C-Channel Hanger Bar Set
	LHALD6R25C071 : Remodel	UE-DUN : 120V-277V (ELV/ 0-10V Universal Dimming) UE-DLI : 120V/277V DALI Dimming ^^	
40W	LHALD640C105 : New Construction	UE-DEC : 120V/277V Lutron Ecosystem ^^	/C260-J : Adj. C-Channel Hanger Bar Set
	LHALD6R40C105 : Remodel	UE-DZG : 120V/277V Zigbee Dimming ^^ UE-DHL : Hi-Lume 1% Dimming (120V/277V) -347-D10 : 0-10V 10% Dimming ^	
		UE-DMX : 120V/277V DMX Dimming ^^	
		-DIN : 120V Incandescent Dimming (12W only)	

+ 12W Remodel only. ^^ 25W only. ^ 12W & 25W. ^^ 25W & 40W. ^^^ 12W & 40W.. x Not for 12W Remodel.

LED TRIM ORDERING

(Trim wattage must match housing frame wattage above)

Example: **LRALD6SWF350-B60-T27-C90-SLP10**

TRIM STYLE	FINISH	LUMEN PACKAGE	BEAM SPREAD	LED	LENS TYPE	
12W	LRALD6 : Downlight 1200Lm 1600Lm	WWF : All White SSF : All Satin SWF : Satin/White	102 : 1200Lm 160 : 1600Lm	Blank : Flood -B15 : Spot -B25 : 25° Narrow Flood -B60 : 60° Wide Flood	Blank : 3000K -C90 : 3000K, 90CRI -C97 : 3000K, 97CRI** -T17 : 1700K* -T25 : 2500K* -T27 : 2700K	Blank : None -SLP05 : 5° -SLP10 : 10° -SLP15 : 15°
	25W	LRALD6 : Downlight 2000Lm 3000Lm	WWF : All White SSF : All Satin SWF : Satin/White	151 : 2000Lm 240 : 3000Lm	-T27-C90 : 2700K, 90+ CRI -T27-C97 : 2700K, 97CRI** -T35 : 3500K -T40 : 4000K	
		40W	LRALD6 : Downlight 4000Lm	WWF : All White SSF : All Satin SWF : Satin/White	350 : 3500Lm	-TWD : 1850K-3050K (Warm Dimming)***

* Standard in 3000K, 80CRI only. ** Extended lead time may apply. Consult Factory. *** Only available in 2700K and 3000K.

6-INCH RECESSED LED HOUSING & TRIM • 1,200LM-4,000LM

6" RECESSED LED ADJ. HOUSING 1,500 - 4,000Lm

LHAJLD6 | 60W LED | 120V-277V | UP TO 4,000 LUMENS | CRI 90+

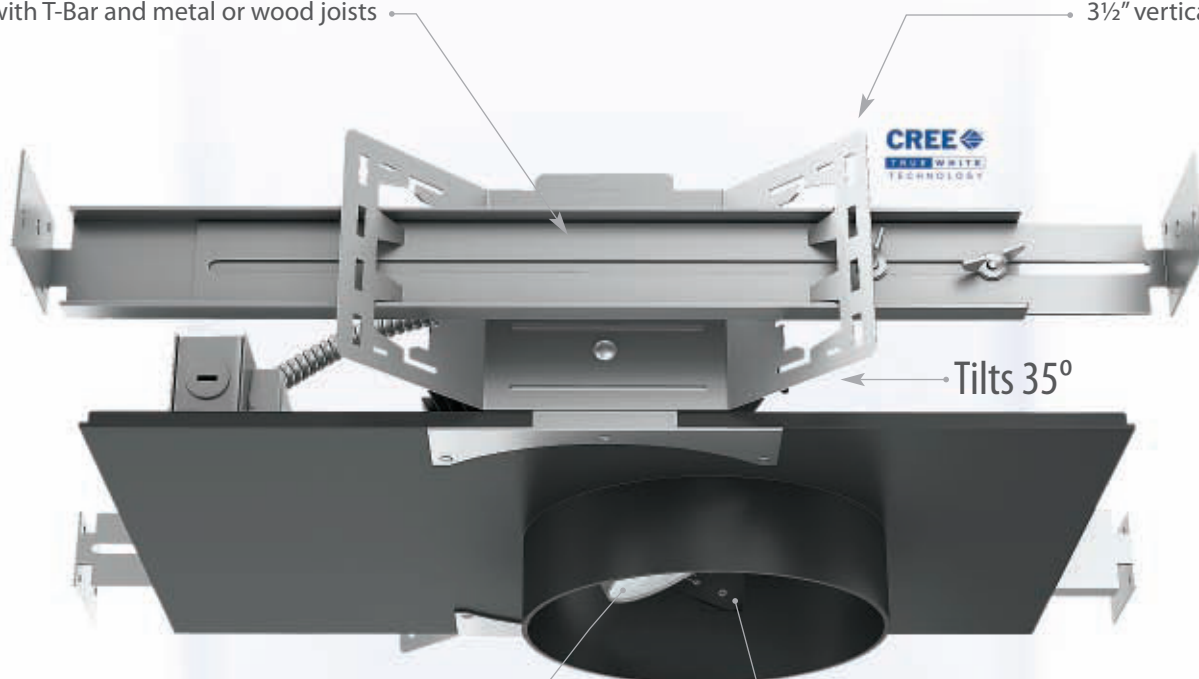
An Exceptionally Versatile Luminaire

Designed to function as a **6-inch** downlight, wall wash and accent light. Perfectly suited for medium height to high ceilings in commercial, architectural and hospitality applications. Exceptional versatility, very tight binning and high CRI make this product a specifier's dream.

New Commercial Grade

heavy-duty steel hanger bar option.
For use with T-Bar and metal or wood joists

Heavy-Duty Bat-Wing
brackets adjust up to
3½" vertically



Optic Module

is easily removed from below ceiling for service, future upgrades or desired changes in beam spread. No tools required.



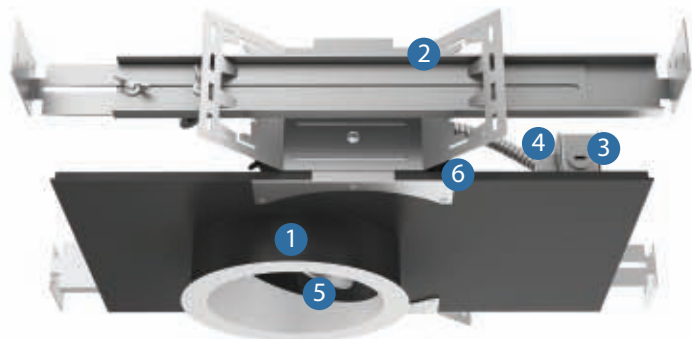
LED Module Holder

Tilts up to 35° for desired beam placement. Adjusts from below ceiling.

6-INCH RECESSED LED ADJUSTABLE HOUSING • 1,500LM-4,000LM

6" RECESSED LED ADJUSTABLE TRIM 1,500 - 4,000Lm

LHAJLD6 | 60W LED | 120V-277V | UP TO 4,000 LM



LRA671WWF | Open Wall Wash



LRA672WWF | Lensed Wall Wash

Architectural 6" Adjustable Round LED Housings are designed for medium to high ceiling heights in retail, hospitality, commercial and architectural applications. Advanced 'hot-aiming' mechanism allows precise and lockable positioning of the trim prior to finishing the ceiling. Post-installation adjustment of the beam tilt is possible from below the fixture.

- 1 Collar bracket provides 30° of rotation, marked in 5° increments for positioning before drywall installation. Lamp holder assembly allows 45° tilt.
- 2 Housing for new construction installations only, Bat-Wing bar hanger brackets adjust vertically 3¼" for multiple ceiling types. Heavy-duty steel hanger bars (C260-J) optional. Accepts 1/2" EMT, 26" C-Channel Strut for T-Bar ceilings and 27" adjustable linear bar hangers (optional).
- 3 16 gauge pre-wired galvanized steel Junction Box, 32 cubic-inch for a max. of (8) #12 AWG wires. Furnished with (7) ¾" and (4) Romex knock-outs. Strain clamps to install or remove covers for easy access and ground wire. Equipped with safety standard fitting for flex-conduit.
- 4 Electronic Direct Current LED driver integrally mounted in electric junction box.
- 5 Interchangeable optics allow polycarbonate lens to be changed in the field to modify beamspread. No tools required.
- 6 UniDim (-DUN) option is a universal dimming system that works with most 3-Wire ELV, 2-Wire Incandescent and 5-Wire 0-10V fluorescent dimmers.



OPTIONAL HEAVY-DUTY ADJUSTABLE HANGER BAR SET (C260-J)



Dimmable

BENEFITS

- Features Cree TrueWhite® Technology
- Functions as a Downlight, Wall Wash or Accent Light
- Internal adjustments allow precise aiming of the beam
- Round trim collar rotates to allow exact alignment prior to ceiling finish



ORDERING ROUND HOUSING AND TRIM

Example: LHAJLD650C140UE-B60-T30/LRA671SSF

HOUSING#	DIMMING	BEAMSPREAD	LED	TRIM	FINISH
LHAJLD615C035 : 1500Lm	UE : 120V/277V	Blank : 45° Flood	Blank : 3000K	/LRA671 Open Reflector	SSF : All Satin
LHAJLD620C050 : 2000Lm	UE-DUN : UniDim™	-B25 : 25° Narrow FL	-C90 : 3000K, 90CRI		SWF : Satin / White Flange
LHAJLD625C070 : 2500Lm	UE-EM : 120V/277V Emergency	-B60 : 60° Wide FL	-C97 : 3000K, 97CRI**	/LRA672 Lensed Reflector	WWF : All White
LHAJLD635C105 : 3500Lm	UE-DUN-EM : UniDim™ Emergency		-T17 : 1700K*		
LHAJLD650C140 : 4000Lm			-T25 : 2500K*		
			-T27 : 2700K		
			-T27-C90 : 2700K, 90+CRI		
			-T27-C97 : 2700K, 97CRI**		
			-T35 : 3500K		
			-T40 : 4000K		

* Extended lead time for quantity over 100.
** Only available in 2700K and 3000K.

ALL LITON ARCHITECTURAL LED PRODUCTS ARE ASSEMBLED IN THE USA & INCLUDE A 5-YEAR LIMITED WARRANTY

6" RECESSED LED ADJ. SQUARE HOUSING 1,500 - 4,000Lm

LHAJLDQ6 | 60W LED | 120V-277V | UP TO 4,000 LUMENS | CRI 90+

An Exceptionally Versatile Luminaire

Designed to function as a **6-inch square** downlight, wall wash and accent light. Perfectly suited for medium height to high ceilings in commercial, architectural and hospitality applications. Exceptional versatility, very tight binning and high CRI make this product a specifier's dream.

New Commercial Grade

heavy-duty steel hanger bar option.
For use with T-Bar and metal or wood joists



Heavy-Duty Bat-Wing brackets adjust up to 3 1/2" vertically

Tilts 35°

Rotates 15° right or left



LED Module Holder

Tilts up to 35° for desired beam placement. Adjusts from below ceiling.



Optic Module

is easily removed from below ceiling for service, future upgrades or desired changes in beam spread. No tools required.



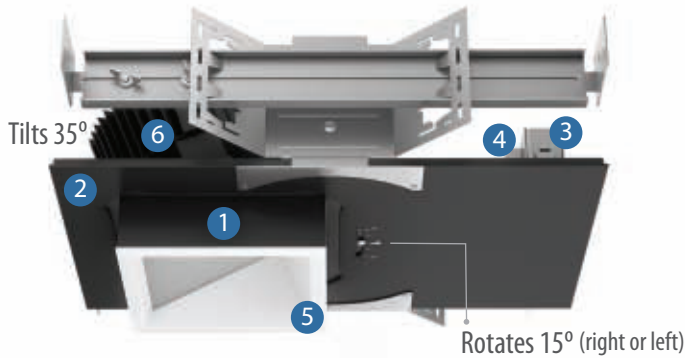
Square Collar

rotates 30° for easy alignment of trims prior to ceiling finish.

6-INCH RECESSED LED SQUARE ADJUSTABLE HOUSING • 1,500LM-4,000LM

6" RECESSED LED ADJUSTABLE SQUARE TRIM 1,500 - 4,000Lm

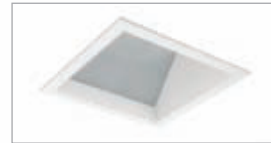
LHAJLDQ6 | 60W LED | 120V-277V | UP TO 4,000 LUMENS | CRI 90+



LRAQ602 | Reflector w/ Lens



LRAQ621 | Open Reflector



LRAQ671 | Wall Wash w/ Lens



LRAQ672 | Open Wall Wash

Architectural-Grade Square Recessed LED Housing can be used as a downlight and as an adjustable wall wash. Collar bracket can be rotated up to 30° and locked-in to insure correct alignment prior to ceiling finish. Internal aiming mechanism allows 35° tilt adjustment from below the ceiling for correct placement of the beam. Perfect for most architectural downlight and wall wash applications.

- Collar bracket provides 30° of rotation, marked in 5° increments for positioning before drywall installation. Lamp holder assembly allows 35° tilt.
- Housing for new construction installations only, Bat-Wing bar hanger brackets adjust vertically 3¼" for multiple ceiling types. Heavy-duty steel hanger bars (C260-J) optional. Accepts 1/2" EMT, 26" C-Channel Strut for T-Bar ceilings and 27" adjustable linear bar hangers (optional).
- 16 gauge pre-wired galvanized steel Junction Box, 32 cubic-inch for a max. of (8) #12 AWG wires. Furnished with (7) ¾" and (4) Romex knock-outs. Strain clamps to install or remove covers for easy access and ground wire. Equipped with safety standard fitting for flex-conduit.
- Electronic Direct Current LED driver integrally mounted in electric junction box.
- Solid die-cast aluminum construction for long lasting beauty with Steel V-Spring retainers for tight fit and easy servicing.
- UniDim (-DUN) option is a universal dimming system that works with most 3-Wire ELV, 2-Wire Incandescent and 5-Wire 0-10V fluorescent dimmers.



OPTIONAL HEAVY-DUTY
ADJUSTABLE HANGER BAR SET (C260-J)



Dimmable

BENEFITS

- Features Cree TrueWhite® Technology
- Functions as a Downlight, Wall Wash or Accent Light
- Internal adjustments allow precise aiming of the beam
- Square trim collar rotates to allow exact alignment prior to ceiling finish



ORDERING SQUARE HOUSING AND TRIM

Example: LHAJLDQ650C140UE-DUN-B60-T40/LRAQ602W

HOUSING#	DIMMING	BEAMSPREAD	LED	TRIM	FINISH
LHAJLDQ615C035 : 1500Lm	UE : 120V/277V	Blank : 45° Flood	Blank : 3000K	/LRAQ602 : Reflector w/ Frosted Glass +	W : All White
LHAJLDQ620C050 : 2000Lm	UE-DUN : UniDim™	-B20 : 25° Narrow FL	-C90 : 3000K, 90CRI	/LRAQ621 : Open Reflector	B : All Black
LHAJLDQ625C070 : 2500Lm	UE-EM : 120V/277V Emergency	-B60 : 60° Wide FL	-C97 : 3000K, 97CRI**	/LRAQ671 : Wall Wash w/ Frosted Glass +	S : All Satin
LHAJLDQ635C105 : 3500Lm	UE-DUN-EM : UniDim™ Emergency		-T17 : 1700K*	/LRAQ672 : Open Wall Wash	
LHAJLDQ650C140 : 4000Lm			-T25 : 2500K*		
			-T27 : 2700K		
			-T27-C90 : 2700K, 90+CRI		
			-T27-C97 : 2700K, 97CRI**		
			-T35 : 3500K		
			-T40 : 4000K		

* Extended lead time for quantity over 100.

** Only available in 2700K and 3000K. + Wet location option.

ALL LITON ARCHITECTURAL LED PRODUCTS ARE ASSEMBLED IN THE USA & INCLUDE A 5-YEAR LIMITED WARRANTY

WALL MOUNT LED 1-DIRECTION

ROUND AND SQUARE | 1-DIRECTIONAL LED DOWNLIGHT | 850 LM - 1,250 LM

WALL MOUNT LED • 1-DIRECTION • ROUND & SQUARE

Housing

Constructed from a round one-piece high grade aluminum extrusion with a rectangular extrusion arm, end cap, faceplate and a mounting plate with a powder coat finish. Includes COB LED, reflector and LED driver. Mounting plate is secured to arm with two (2) flat head Phillips stainless steel screws. Mounting plate installs onto a junction box. Consult factory for junction box mounting sizes.

Benefits

- Uniform, low glare illumination
- Durable, Corrosion-resistant finish
- Emergency back up available
- Singular COB Light Source
- 5 year limited warranty



Finish

A 7-stage electrostatic, polymer process provides a finish that delivers outstanding durability, superior anti-aging, resistance to corrosion and UV-degradation Available in Black, White, Bronze* and Silver*.

Dimming

(-DUN) option is a universal dimming system that works with most 3-Wire ELV, 2-Wire Incandescent and 5-Wire 0-10V fluorescent dimmers.



Dark Sky

Dark Sky compliant when fixture is pointing downward.

LED

Energy efficient Chip-On-Board (COB) Singular LED Light Source provides for smooth uniform light output, eliminating the multiple shadow effect seen by multiple LED Source products. Binned with 4-step MacAdam ellipses as recommended by ANSI Standard. Available in 4000K, 2700K*, 3000K, 3500K*, 5000K*, 5600K* and 590nm AMBER*.

Faceplate

Round one piece extruded aluminum with powder coat finish, clear tempered glass lens, and silicone o-ring. Faceplate is secured to the housing by threads.



Warranty

Covered by a 5 Year Warranty to be free of defects in materials and craftsmanship. Fixture should not be installed in applications with ambient temperature above 60 degrees C. Doing so will result in reduced lamp life and voided warranty.



* Special order, minimum order, and extended lead time may apply. Consult factory.

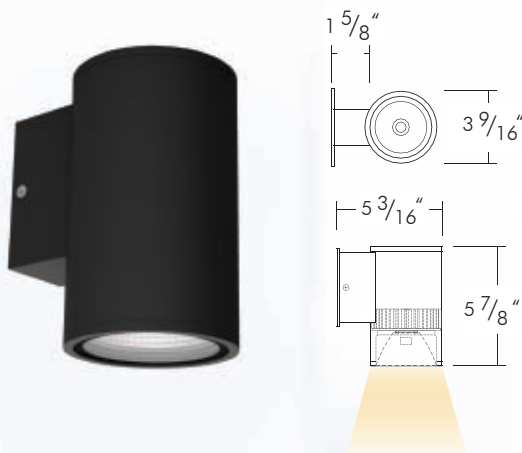
** Select models.

Application

This WD1 Series directional Wall luminaire can be used in both interior and outdoor settings and can be pointed up or down. Typical locations are in commercial and retail spaces that contain walls and/or columns that require directional lighting. Can be used as a downlight for direct illumination or as an uplight for indirect illumination of architectural facades.

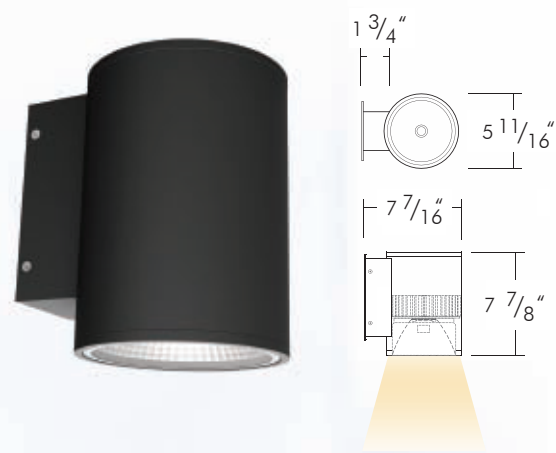
4" WALL MOUNT LED 1-DIRECTION

WD1340 | ROUND 1,000LM | IP65 | 15W



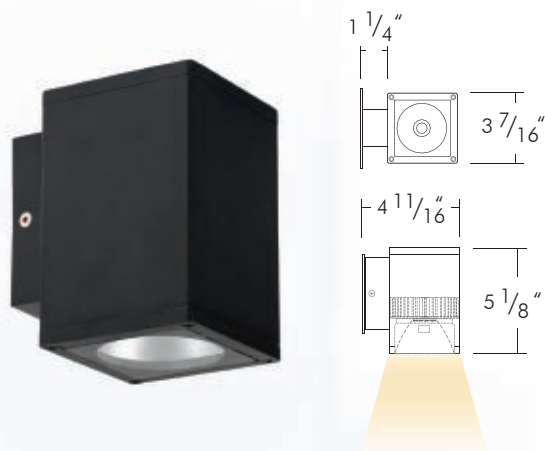
6" WALL MOUNT LED 1-DIRECTION

WD1360 | ROUND 1,000LM | IP65 | 15W



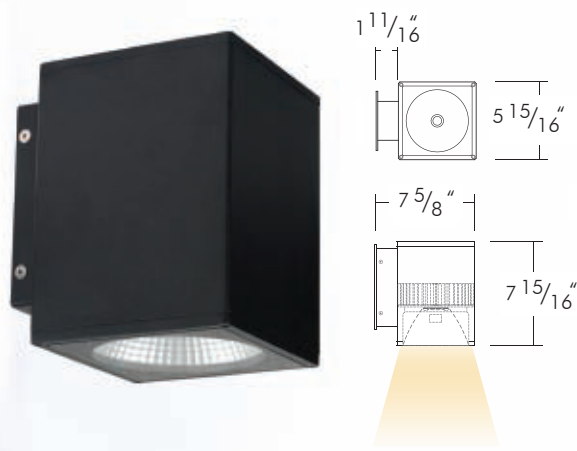
4" WALL MOUNT LED 1-DIRECTION

WD1Q340 | SQUARE 850LM | IP65 | 15W



6" WALL MOUNT LED 1-DIRECTION

WD1Q360 | SQUARE 1,000LM | IP65 | 15W



ORDERING 1-DIRECTIONAL LED WALL MOUNT

Example: **WD1340B-T27-EMAC**

ITEM	FINISH	BEAM SPREAD	DIMMING	LED	OPTION
WD1340	B : Black	Blank : Wide Flood	Blank : Non Dimming (120V)	Blank : 4000K	Blank : None
WD1360	W : White	-B02 : 2° Pencil Beam	UE-DUN : UniDim™ (120V/277V)	-T17 : 1700K*	-EMAC : Emergency Back Up
WD1Q340	BZ : Bronze*	-B10 : Narrow Spot		-T25 : 2500K*	-SDL : Daylight Sensor**
WD1Q360	S : Silver*	-B20 : Spot		-T27 : 2700K*	-LVR : Hex-Cell Louver †
		-B45 : Flood		-T27-C97 : 2700K, 97CRI**	
				-T30 : 3000K	
				-T30-C97 : 3000K, 97CRI**	
				-T35 : 3500K*	
				-T50 : 5000K*	
				-T56 : 5600K*	
				-TAM : 590nm Amber*	

* Extended Lead Time may apply. Consult Factory. ** Only available in 2700K and 3000K. † Only for WD1Q340 and WD1Q360.

WALL MOUNT LED 2-DIRECTION

ROUND AND SQUARE | 2-DIRECTIONAL LED DOWNLIGHT | (2)850 LM - (2)1,000 LM

WALL MOUNT LED • 2-DIRECTION • ROUND & SQUARE

Housing

Constructed from a round high grade aluminum extrusion with a rectangular extrusion arm, two (2) faceplates and a mounting plate with a powder coat finish. Includes COB LED, reflector and LED driver. Mounting plate is secured to arm with four (4) flat head Phillips stainless steel screws. Mounting plate installs onto a junction box. Consult factory for junction box mounting sizes.

Benefits

- Uniform, low glare illumination
- Durable, Corrosion-resistant finish
- Emergency back up available
- Singular COB Light Source
- 5 year limited warranty



Dimming

(-DUN) option is a universal dimming system that works with most 3-Wire ELV, 2-Wire Incandescent and 5-Wire 0-10V fluorescent dimmers.



Finish

A 7-stage electrostatic, polymer process provides a finish that delivers outstanding durability, superior anti-aging, resistance to corrosion and UV-degradation Available in Black, White, Bronze* and Silver*.

Emergency Options

Emergency LED Battery Back-up available, remotely mounted adjacent to housing by installer. When AC power fails, the device immediately switches to the emergency mode, operating the LEDs for a minimum of 90 minutes. Remote test switch, plate cover and junction box included.

LED

Energy efficient Chip-On-Board (COB) Singular LED Light Source provides for smooth uniform light output, eliminating the multiple shadow effect seen by multiple LED Source products. Binned with 4-step MacAdam ellipses as recommended by ANSI Standard.

Faceplate

Round one-piece extruded aluminum with powder coat finish, clear tempered glass lens, and silicone o-ring. Faceplate is secured to the housing by threads.

Warranty

Covered by a 5 Year Warranty to be free of defects in materials and craftsmanship. Fixture should not be installed in applications with ambient temperature above 60 degrees C. Doing so will result in reduced lamp life and voided warranty.



* Special order, minimum order, and extended lead time may apply. Consult factory.

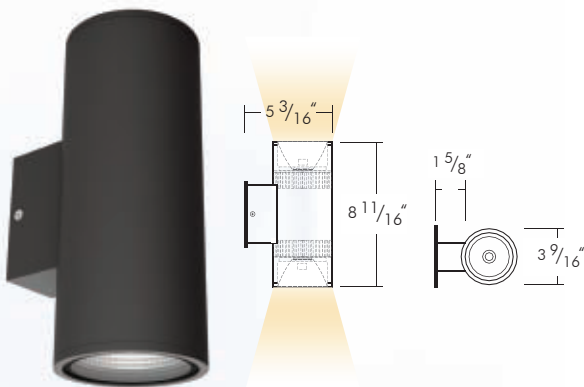
** Select models.

Application

This WD2 Series Double directional wall luminaire can be used in both interior and outdoor settings. Typical locations are in commercial and retail spaces that contain walls and/or columns that require directional lighting. Dual reflector design allows for direct and indirect lighting from a single fixture.

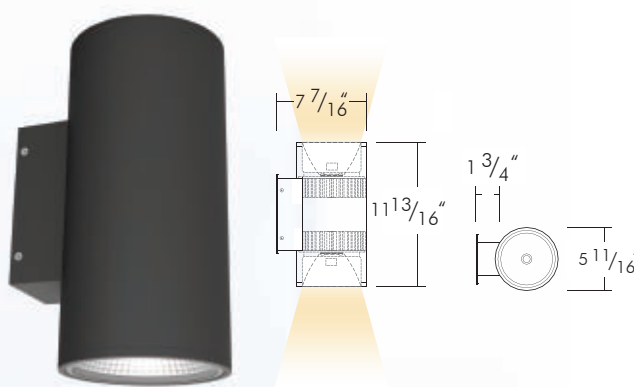
4" WALL MOUNT LED 2-DIRECTION

WD2340 | ROUND (2x)1,000LM | IP65 | (2x)15W



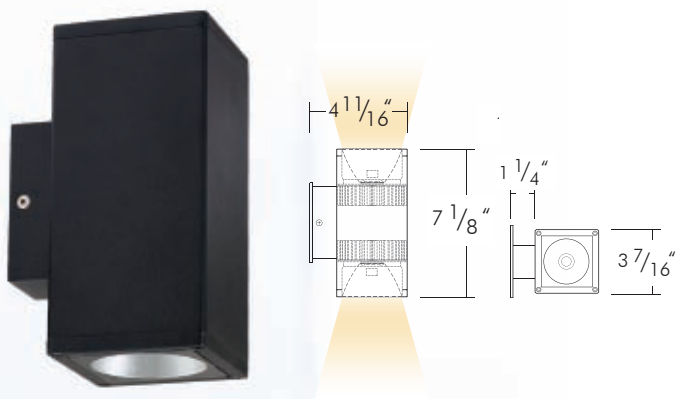
6" WALL MOUNT LED 2-DIRECTION

WD2360 | ROUND (2x)1,000LM | IP65 | (2x)22W



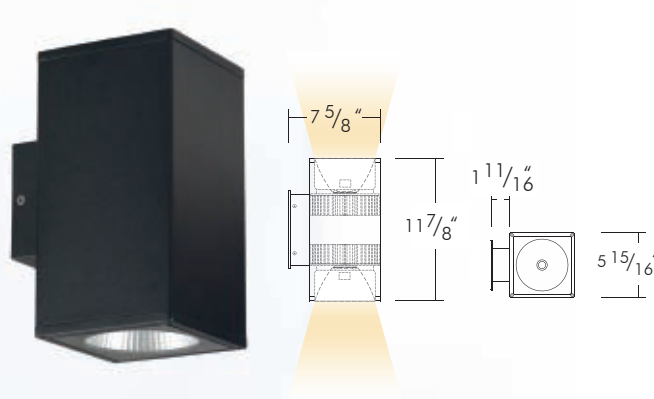
4" WALL MOUNT LED 2-DIRECTION

WD2Q340 | SQUARE (2x)850LM | IP65 | (2x)15W



6" WALL MOUNT LED 2-DIRECTION

WD2Q360 | SQUARE (2x)1,000LM | IP65 | (2x)22W



ORDERING 2-DIRECTIONAL LED WALL MOUNT

Example: **WD2340B-T27**

ITEM	FINISH	BEAM (DOWN)	BEAM (UP)	DIMMING	LED
WD2340	B : Black	Blank : Wide Flood	Blank : Wide Flood	Blank : Non Dimming (120V)	Blank : 4000K
WD2360	W : White	-BD10 : Narrow Spot	-BU02 : 2° Pencil Beam	UE-DUN : UniDim™ (120V/277V)	-T17 : 1700K**
WD2Q340	BZ : Bronze*	-BD20 : Spot	-BU10 : Narrow Spot		-T25 : 2500K**
WD2Q360	S : Silver*	-BD45 : Flood	-BU20 : Spot		-T27 : 2700K*
			-BU45 : Flood		-T27-C97 : 2700K, 97CRI***
					-T30 : 3000K
					-T30-C97 : 3000K, 97CRI***
					-T35 : 3500K*
					-T50 : 5000K*
					-T56 : 5600K*
					-TAM : 590nm Amber*

* Special order, minimum order, and extended lead time may apply. Consult factory. ** Extended lead time may apply. Consult factory. *** Only available in 2700K and 3000K.

CEILING MOUNT LED DOWNLIGHT

ROUND AND SQUARE | LED CEILING DOWNLIGHT | 1,000 LM - 1,200 LM

CEILING MOUNT LED DOWNLIGHT • ROUND & SQUARE • 1,000LM-1,200LM

Housing

Constructed from a round high grade aluminum extrusion, die cast aluminum top plate, and faceplate with a powder coat finish. Includes COB LED, reflector, LED driver and a mounting plate. Top plate is secured to housing by threads. Mounting plate is secured to top plate with two (2) flat head Phillips stainless steel screws and installs onto a junction box. Consult factory for junction box mounting sizes.

Benefits

- Uniform, low glare illumination
- Durable, Corrosion-resistant finish
- Emergency back up available
- Singular COB Light Source
- 5 year limited warranty



Dimming

(-DUN) option is a universal dimming system that works with most 3-Wire ELV, 2-Wire Incandescent and 5-Wire 0-10V fluorescent dimmers.



Finish

A 7-stage electrostatic, polymer process provides a finish that delivers outstanding durability, superior anti-aging, resistance to corrosion and UV-degradation Available in Black, White, Bronze* and Silver*.

LED

Energy efficient Chip-On-Board (COB) Singular LED Light Source provides for smooth uniform light output, eliminating the multiple shadow effect seen by multiple LED Source products. Binned with 4-step MacAdam ellipses as recommended by ANSI Standard. Available in 4000K, 2700K*, 3000K, 3500K*, 5000K*, 5600K* and 590nm AMBER*.



Dark Sky

Dark Sky compliant.

Faceplate

Round one-piece extruded aluminum with powder coat finish, clear tempered glass lens, and silicone o-ring. Faceplate is secured to the housing by threads.

Warranty

Covered by a 5 Year Warranty to be free of defects in materials and craftsmanship. Fixture should not be installed in applications with ambient temperature above 60 degrees C. Doing so will result in reduced lamp life and voided warranty.



* Special order, minimum order, and extended lead time may apply. Consult factory.

** Select models.

Application

This DL Series covered ceiling mount downlight can be used in both interior and outdoor settings. Typical locations are in commercial and retail spaces that require lighting from above. Dark Sky compliant.

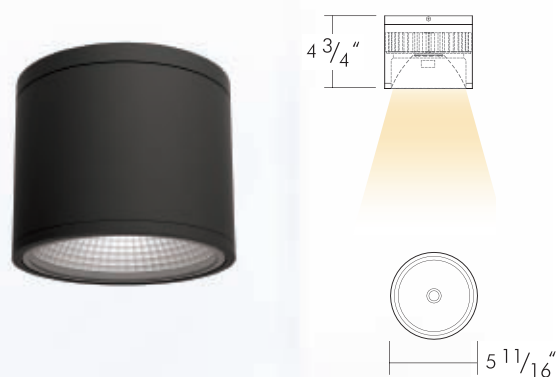
4" CEILING MOUNT LED DOWNLIGHT

DL340 | ROUND 1,000LM | IP65 | 11W



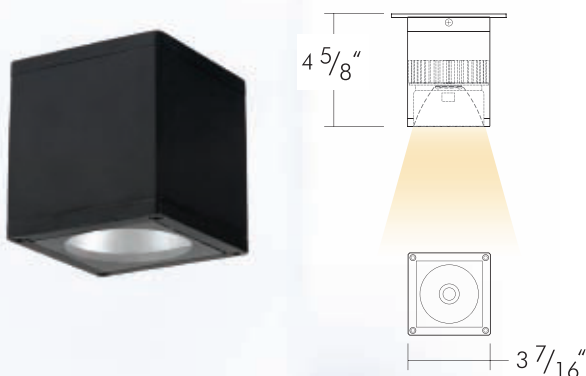
6" CEILING MOUNT LED DOWNLIGHT

DL360 | ROUND 1,200LM | IP65 | 15W



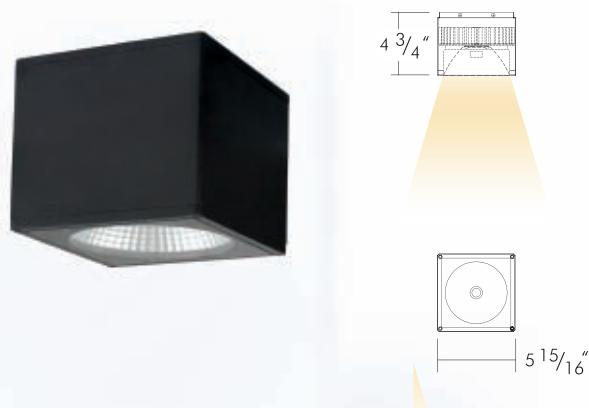
4" CEILING MOUNT LED DOWNLIGHT

DLQ340 | SQUARE 1,000LM | IP65 | 15W



6" CEILING MOUNT LED DOWNLIGHT

DLQ360 | SQUARE 1,200LM | IP65 | 15W



ORDERING ROUND & SQUARE CEILING DOWNLIGHT

Example: **DLQ340B-T27-EMAC**

ITEM	FINISH	BEAM SPREAD	DIMMING	LED	OPTION
DL340	B : Black	Blank : Wide Flood	Blank : Non Dimming (120V)	Blank : 4000K	Blank : None
DL360	W : White	-B02 : 2° Pencil Beam	UE-DUN : UniDim™ (120V/277V)	-T17 : 1700K**	-EMAC : Emergency Back Up
DLQ340	BZ : Bronze*	-B10 : Narrow Spot		-T25 : 2500K**	-LVR : Hex-Cell Louver +
DLQ360	S : Silver*	-B20 : Spot		-T27 : 2700K*	-SDL : Daylight Sensor (DLQ360 only).
		-B45 : Flood		-T27-C97 : 2700K, 97CRI***	
		-BWW : Wall Wash Optics		-T30 : 3000K	
				-T30-C97 : 3000K, 97CRI***	
				-T35 : 3500K*	
				-T50 : 5000K*	
				-T56 : 5600K*	
				-TAM : 590nm Amber*	

* Special order, minimum order, and extended lead time may apply. Consult factory. ** Extended Lead Time may apply. Consult Factory.

***Only available in 2700K and 3000K. + Only for WD1Q340 and WD1Q360.

6" SURFACE MOUNT LED LUMEN CUBE 1,800 - 4,000Lm

DOWNLIGHT | LCALDQ6 | UP TO 4,000 LUMENS

Application

Architectural-grade surface mount LED downlight housing for medium to high ceilings combines energy efficiency with powerful lumen output. Perfect for atriums, churches, lobbies, and airports that have high ceilings.

Mounting

Universal mounting hardware allows mounting to all standard electrical junction boxes. Optional pendant cable and wall mount assemblies available. Mounts to standard 4" Octagonal Electrical Box.



Dimmable



CCT / CRI

1700K, 2500K, 2700K (90CRI / 97CRI), 3000K (90CRI / 97CRI), 3500K, 4000K. CRI: 80+ Standard LED Lamp Life: 50,000 Hrs. (L70)

Safety Labels

ETL/cETL listed to UL1598 and UL8750. Suitable for dry and damp locations.

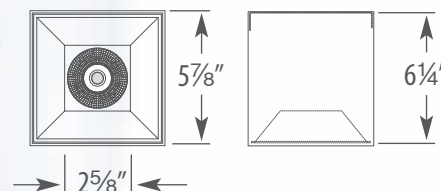
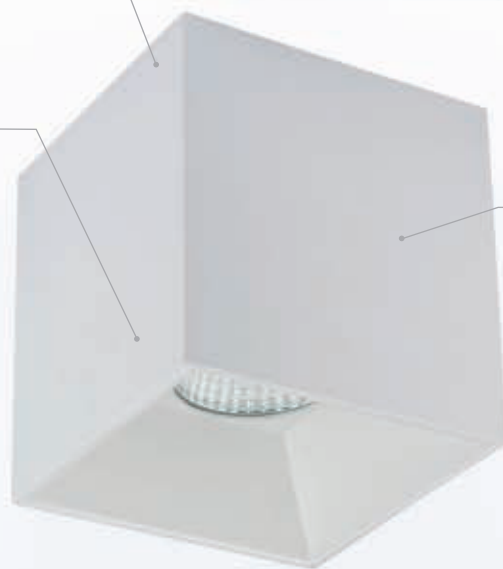
• NYC Approved: Calendar #41937

Driver

120V/277V AC 50/60Hz Electronic Direct Current Class 2 LED driver

Dimming Option

0-10V dimming option (-D10) works with most 5-Wire 0-10V dimmers. Available with 1% Deep Dimming Option. Factory qualified for use with Leviton IP710-DLX and Lutron NTFTV-WH. The Lutron Hi-Lume (-DHL) and Ecosystem (-DEC) options designed for use with LUTRON Ecosystem Controls. UniDim™ (-DUN) option is a universal dimming system that works with most 3-Wire ELV, 2-Wire Incandescent and 5-Wire 0-10V fluorescent dimmers.



Warranty

Covered by a 5 Year Warranty to be free of defects in materials and craftsmanship. Fixture should not be installed in applications with ambient temperature above 60° C. Doing so will result in reduced lamp life and voided warranty.

ORDERING LUMEN CUBE

Example: **LCALDQ6W350-D10P1-T40**

ITEM	FINISH	LUMENS *	BEAM SPREAD	DIMMING	LED **
LCALDQ6	W : All White	151 : 1,800 Lumen (30W)	Blank : Flood	Blank : Non Dimming	Blank : 3000K
		320 : 3,000 Lumen (30W)	-B70 : 70° Wide Flood	-DUN : UniDim™	-C90 : 3000K, 90CRI
		350 : 4,000 Lumen (40W)		-DMX : DMX Dimming	-C97 : 3000K, 97CRI****
				-DHL : Lutron Hi-Lume	-T17 : 1700K***
				-D10P1 : 0-10V, 1% Dimming	-T25 : 2500K***
				-DINPZ : 0% 2-Wire Dimming	-T27 : 2700K
					-T27-C90 : 2700K, 90+CRI
					-T27-C97 : 2700K, 97CRI****
					-T35 : 3500K
					-T40 : 4000K

* Nominal delivered lumens. See photometry for exact values. ** 90 CRI for 1,800Lm, 80 CRI standard for 3,000Lm, 4,000Lm versions. For 90 CRI use -C90. *** Ext. lead time may apply. Consult. **** Only available in 2700K and 3000K.

ALL LITON ARCHITECTURAL LED PRODUCTS ARE ASSEMBLED IN THE USA & INCLUDE A 5-YEAR LIMITED WARRANTY

INDOOR

6" LUMEN CANNON ECONOMY LED 1,800 - 2,800Lm

DOWNLIGHT | LCMLD6 | 20W/1,800LM & 40W/2,800LM

Application

Architectural-grade surface mount LED downlight housing for medium to high ceilings combines energy efficiency with powerful lumen output. Perfect for atriums, churches, lobbies, and airports.



Dimmable

Mounting

Universal mounting hardware allows mounting to all standard electrical junction boxes. Optional pendant cable and wall mount assemblies available, requires two field drilled holes.

Replaces
2x42W CFL
300W Incandescent

Driver

On-Board Electronic Direct Current driver pre-installed in trim. Comes standard with dimming option. Smoothly dims down to 10% with Electronic Low Voltage dimmers.

Thermal Management

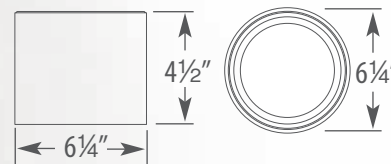
Effective thermal dissipation facilitated by integral spun aluminum, heat sink design for maximum heat rejection to provide long LED life.

Recommended ambient temperature is below 35° C to achieve minimum L70 life of 50,000 hours according to LM80 standard.

Safety Labels

ETL/cETL listed to UL1598 and UL8750. Suitable for dry and damp locations.

• NYC Approved:
Calendar #41937



Lumen Maintenance

Minimum 50,000 hours L70 life based on ANSI TM-21 calculations from LM80 standardized test results. 80+ Standard, 90 CRI Option

Warranty

Covered by a 3 Year Warranty to be free of defects in materials and craftsmanship. Fixture should not be installed in applications with ambient temperature above 60° C. Doing so will result in reduced lamp life and voided warranty.

ORDERING LUMEN CUBE

Example: **LCMLD620W-T40**

ITEM	WATTAGE	FINISH	LED
LCMLD6	20: 20W	W: All White	Blank: 3000K
	40: 40W	B: All Black	-C90: 3000K, 90CRI
			-C97: 3000K, 97CRI**
			-T17: 1700K*
			-T25: 2500K*
			-T27: 2700K
			-T27-C90: 2700K, 90+CRI
			-T27-C97: 2700K, 97CRI**
			-T35: 3500K
			-T40: 4000K

* Extended lead time may apply. Consult factory. ** Only available in 2700K and 3000K.

ALL LITON ARCHITECTURAL LED PRODUCTS ARE ASSEMBLED IN THE USA & INCLUDE A 5-YEAR LIMITED WARRANTY

4" SURFACE MOUNT LED LUMEN CANON CYLINDER

600 - 1,100Lm | LCALD4 | MINI LUMEN CANNON

Application

This powerful ceiling mounted LED downlight is designed for low to medium ceilings in atriums, exhibit halls, hospitality areas. Can be surface mounted or suspended 12" to 48" from the ceiling. A sloped ceiling adapter and other mounting options are available.

Exposed Heat Sink

Die-cast aluminum heat sink efficiently dissipates heat into the open air for maximum cooling and long LED life

Explosive lumen output for any indoor ceiling up to 15'

Driver

120V/277V AC 50/60Hz
Class 2 LED driver

CCT / CRI

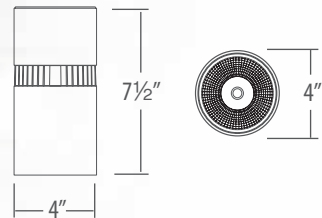
1700K, 2500K, 2700K (90CRI / 97CRI), 3000K (90CRI / 97CRI), 3500K, 4000K. CRI: 80+ Standard
LED Lamp Life: 50,000 Hrs. (L70)

Finish

High quality powder coat finish for maximum durability

Low Glare Factor

Fully enclosed lamp eliminates glare



Lumen Packages

12W delivers 600 Lumens
14W delivers 1100 Lumens

Dimming Option

TRIAC/ELV 120V Dimming



Lamp Life

LED Lamp Life: 50,000 Hrs. (L70) based on ANSI TM-21 calculations from LM80 standardized test results.

ORDERING MINI LUMEN CANNON

Example: **LCALD4B120-B50UE-T35**

ITEM	FINISH	LUMEN PACKAGE	BEAM	DIMMING	LED
LCALD4	Blank: White	060: 600 Lumen 12W LED	Blank: 30°	Blank: Non Dimming (120V)	Blank: 3000K
	B: All Black	120: 1,100 Lumen 14W LED	-B50: 50°	UE: Non Dimming (120V/277V) UE-DUN: UniDim™ (120V/277V)	-C90: 3000K, 90CRI -C97: 3000K, 97CRI** -T17: 1700K* -T25: 2500K* -T27: 2700K -T27-C90: 2700K, 90+CRI -T27-C97: 2700K, 97CRI** -T35: 3500K -T40: 4000K

* Extended lead time may apply, consult factory. ** Only available in 2700K and 3000K.

ALL LITON ARCHITECTURAL LED PRODUCTS ARE ASSEMBLED IN THE USA & INCLUDE A 5-YEAR LIMITED WARRANTY

INDOOR

6" SURFACE MOUNT LED LUMEN CANNON CYLINDER

1,100 - 6,000Lm | LCALD6 | LUMEN CANNON | UP TO 6,000 LUMENS

Application

This powerful ceiling-mounted LED downlight is perfect for atriums, exhibit halls, large venues and any other indoor applications with high ceilings that require powerful lumen delivery. Can be surface mounted or suspended 12" to 48" from the ceiling. A sloped ceiling adapter and other mounting options are available.

6-INCH SURFACE MOUNT LED • LUMEN CANNON CYLINDER • 1,100LM-6,000LM

Exposed Heat Sink

Die-cast aluminum heat sink efficiently dissipates heat into the open air for maximum cooling and long LED life

Explosive lumen output for any indoor ceilings from 9' to 60'

Driver

120V/227V AC 50/60Hz
Electronic Direct Current
Class 2 LED driver



Dimming Option

UniDim™ (Universal Dimming) option is compatible with most 0-10V, incandescent & ELV dimming systems
DMX Dimming, DALI dimming
0-10V 1% dimming

Safety Labels

ETL/cETL listed to UL1598 and UL8750.

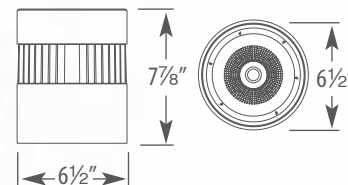
Suitable for dry locations when suspended from pendant.

Suitable for damp location when surface mounted.

• NYC Approved:
Calendar #41937

Finish

High quality powder coat finish for maximum durability



Low Glare Factor

Fully enclosed lamp eliminates glare from behind and sides



Wall Mount

Also available with Wall Mount
Consult factory.

CCT / CRI

2700K, 3000K, 3500K, 4000K
binned to within 3-Step
MacAdam Ellipses (SDCM)
CRI: 80+ Standard, 90+ Optional
LED Lamp Life: 50,000 Hrs. (L70)

ORDERING LUMEN CANNON

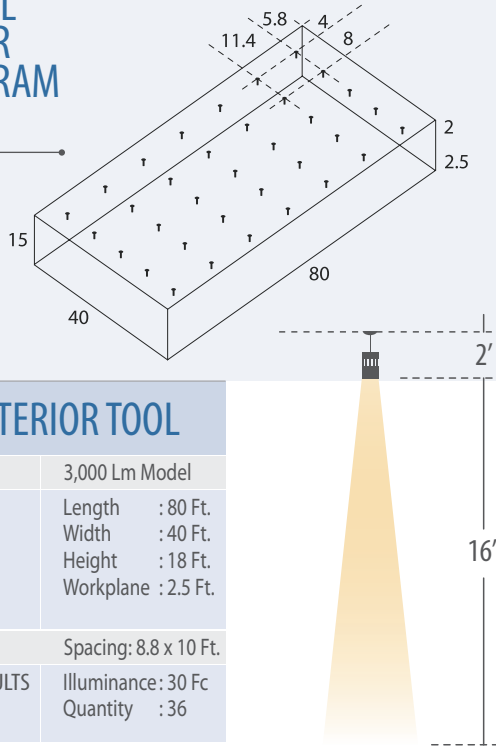
Example: **LCALD6W550-B70-D10P1-C90**

ITEM	FINISH	LUMEN PACKAGE ***	BEAM SPREAD	DIMMING	LED
LCALD6	Blank : White/Black Fins	101 : 1,100 Lumen 18W LED	Blank : Flood	Blank : Non Dimming	Blank : 3000K
	B : All Black	151 : 1,500 Lumen 25W LED	-B10 : 10° Spot*	-DUN : UniDim™ **	-C90 : 3000K, 90CRI
	W : All White	320 : 2,600 Lumen 28W LED	-B30 : 30° Narrow*	-DMX : DMX Dimming	-C97 : 3000K, 97CRI*****
	S : Silver/Black Fins	350 : 3,700 Lumen 40W LED	-B70 : 70° Wide Flood*	-DLI : DALI Dimming	-T17 : 1700K****
		450 : 4,300 Lumen 50W LED		-D10P1 : 0-10V, 1% Dimming	-T25 : 2500K****
	550 : 6,000 Lumen 60W LED		-DINPZ : 0% 2-Wire Dimming	-T27 : 2700K	
			-D10 : 0-10V, 10% Dimming	-T27-C90 : 2700K, 90+CRI	
			-DHL : Hi-Lume1% Dimming	-T27-C97 : 2700K, 97CRI*****	
				-T35 : 3500K	
				-T40 : 4000K	

* Not available for 1100Lm/1500Lm. ** Not available for 6,000Lm. *** Nominal delivered lumens, see photometry page for exact values. **** Ext. lead time may apply. Consult factory. ***** Only available in 2700K and 3000K.

ALL LITON ARCHITECTURAL LED PRODUCTS ARE ASSEMBLED IN THE USA & INCLUDE A 5-YEAR LIMITED WARRANTY

VISUAL INTERIOR TOOL DIAGRAM



VISUAL INTERIOR TOOL

SHOWN FOR	3,000 Lm Model
ROOM SUMMARY	Length : 80 Ft. Width : 40 Ft. Height : 18 Ft. Workplane : 2.5 Ft.
SPACING RESULTS	Spacing: 8.8 x 10 Ft.
CALCULATION RESULTS	Illuminance: 30 Fc Quantity : 36

FIXTURE SPACING EXAMPLES (VERSATILE SPACING OPTIONS)

LITON's Lumen Cannon is both powerful and versatile. Listed below are suggested layouts to achieve desired FC's from 9' to 60' ceiling heights. These calculations were based on a 50' x 50' space.

Other results can be obtained by varying lumen package, spacing and quantity of fixtures.

PRODUCT	CEILING HEIGHTS (FT)	O.C SPACING (FT)	FOOTCANDLES	MIN/MAX RATIO
LCALD6101 1,400 Lm	9'	6' x 6'	35.0	1.0 : 1
	9'	8' x 8'	19.1	2.2 : 1
	12'	6' x 6'	34.3	1.1 : 1
	15'	6' x 6'	33.5	1.1 : 1
LCALD6151 2,000 Lm	18'	6' x 6'	32.5	1.1 : 1
	9'	6' x 6'	50.5	1.1 : 1
	9'	8' x 8'	27.5	1.2 : 1
	12'	8' x 8'	26.2	1.2 : 1
LCALD6320 3,000 Lm	15'	8' x 8'	25.0	1.4 : 1
	18'	8' x 8'	23.9	1.5 : 1
	12'	8' x 8'	44.5	1.2 : 1
	12'	10' x 10'	29.1	1.6 : 1
	12'	12' x 12'	23.4	1.6 : 1
	15'	8' x 8'	27.9	1.2 : 1
	15'	10' x 10'	40.6	1.5 : 1
	18'	8' x 8'	26.2	1.4 : 1
	18'	10' x 10'	38.5	1.6 : 1
	21'	8' x 8'	25.0	1.5 : 1
	21'	10' x 10'	36.1	1.7 : 1
	25'	8' x 8'	23.4	1.5 : 1
25'	10' x 10'	33.3	1.7 : 1	
30'	8' x 8'	28.2	1.8 : 1	
40'	8' x 8'	23.9	1.6 : 1	
50'	8' x 8'	23.4	1.6 : 1	

LCALD6: LUMEN CANNON
LED 6" HIGH LUMEN CYLINDER DOWNLIGHT

FIXTURE SPACING EXAMPLES (Cont.)

PRODUCT	CEILING HEIGHTS (FT)	O.C SPACING (FT)	FOOTCANDLES	MIN/MAX RATIO
LCALD6350 4,000 Lm	12'	8' x 8'	66.5	1.2 : 1
	12'	10' x 10'	43.6	1.6 : 1
	15'	8' x 8'	63.7	1.3 : 1
	15'	10' x 10'	41.3	1.3 : 1
	15'	12' x 12'	28.5	1.4 : 1
	21'	8' x 8'	57.7	1.6 : 1
	21'	10' x 10'	37.5	1.5 : 1
	25'	8' x 8'	54.2	1.7 : 1
	25'	10' x 10'	35.0	1.6 : 1
	30'	8' x 8'	58.0	1.7 : 1
	30'	10' x 10'	32.0	1.8 : 1
	40'	8' x 8'	38.0	1.7 : 1
	40'	10' x 10'	27.2	1.8 : 1
	50'	8' x 8'	31.4	1.5 : 1
	50'	10' x 10'	23.0	1.6 : 1
	LCALD6450 5,000 Lm	12'	8' x 8'	83.9
12'		10' x 10'	55.0	1.6 : 1
15'		8' x 8'	80.3	1.3 : 1
15'		10' x 10'	52.0	1.3 : 1
15'		12' x 12'	36.0	1.4 : 1
21'		8' x 8'	72.8	1.3 : 1
21'		10' x 10'	74.2	1.4 : 1
21'		12' x 12'	32.6	1.3 : 1
30'		10' x 10'	41.6	1.6 : 1
30'		12' x 12'	27.1	1.6 : 1
40'		10' x 10'	35.2	1.7 : 1
40'		12' x 12'	22.9	1.5 : 1
LCALD6550 6,000 Lm	50'	10' x 10'	29.1	1.6 : 1
	60'	10' x 10'	25.0	1.4 : 1
	12'	8' x 8'	91.0	1.6 : 1
	12'	10' x 10'	61.0	1.8 : 1
	12'	12' x 12'	44.0	2.7 : 1
	15'	8' x 8'	88.0	1.5 : 1
	15'	10' x 10'	59.0	1.7 : 1
	15'	12' x 12'	41.6	2.7 : 1
	20'	8' x 8'	82.0	1.7 : 1
	20'	10' x 10'	55.0	1.5 : 1
	20'	12' x 12'	39.0	1.7 : 1
	20'	15' x 15'	25.0	1.9 : 1
	25'	12' x 12'	35.9	1.8 : 1
	25'	15' x 15'	23.0	1.7 : 1
	25'	18' x 18'	18.0	1.9 : 1
	30'	12' x 12'	34.1	1.8 : 1
30'	15' x 15'	21.6	1.7 : 1	
30'	18' x 18'	17.5	1.8 : 1	
40'	12' x 12'	29.4	1.9 : 1	
40'	15' x 15'	19.1	1.6 : 1	
40'	18' x 18'	17.6	1.6 : 1	
50'	12' x 12'	25.7	1.8 : 1	
50'	15' x 15'	16.2	1.5 : 1	
60'	12' x 12'	22.3	1.7 : 1	
60'	15' x 15'	13.9	1.5 : 1	

LUMEN CANNON MOUNTING OPTIONS

LED 4 & 6" HIGH LUMEN CYLINDER MOUNTING OPTIONS

INDOOR

LCALD MOUNTING OPTIONS

LED 4 & 6" HIGH LUMEN CYLINDER MOUNTING OPTIONS

Introducing six mounting options for the Lumen Cannon making it the most versatile cylinder in the industry. Now Lumen Cannon can function as a Wall Cylinder, Pendant, Track or Surface Mount Cylinder. Available in 4" and 6" apertures, Lumen Cannon offers a wealth of lumen packages and dimming options.



LCALD4

LCALD6

Lumen Cannon
4" & 6"

600-1100Lm

1100-6000Lm

LPCM

Pendant Accessory for Flat Ceilings. Extensions in 12", 18", 24", 36" and 48". Black, White or Natural Finish

LPCMC72

Cable Extension Kit
72" Aircraft-grade cable
Field cuttable
Black or White Finish

LPCMJ

Pendant Accessory for Sloped Ceilings. Extensions in 12", 18", 24", 36" and 48". Black, White or Natural Finish



LWMLD6

Wall Mount Bracket for 6" Lumen Cannon. Extension Arm Available Black, White or Natural Finish



LMPT4

1-Circuit / 2-Circuit Track Adapter for 4" Lumen Cannon. Fits LITON Track



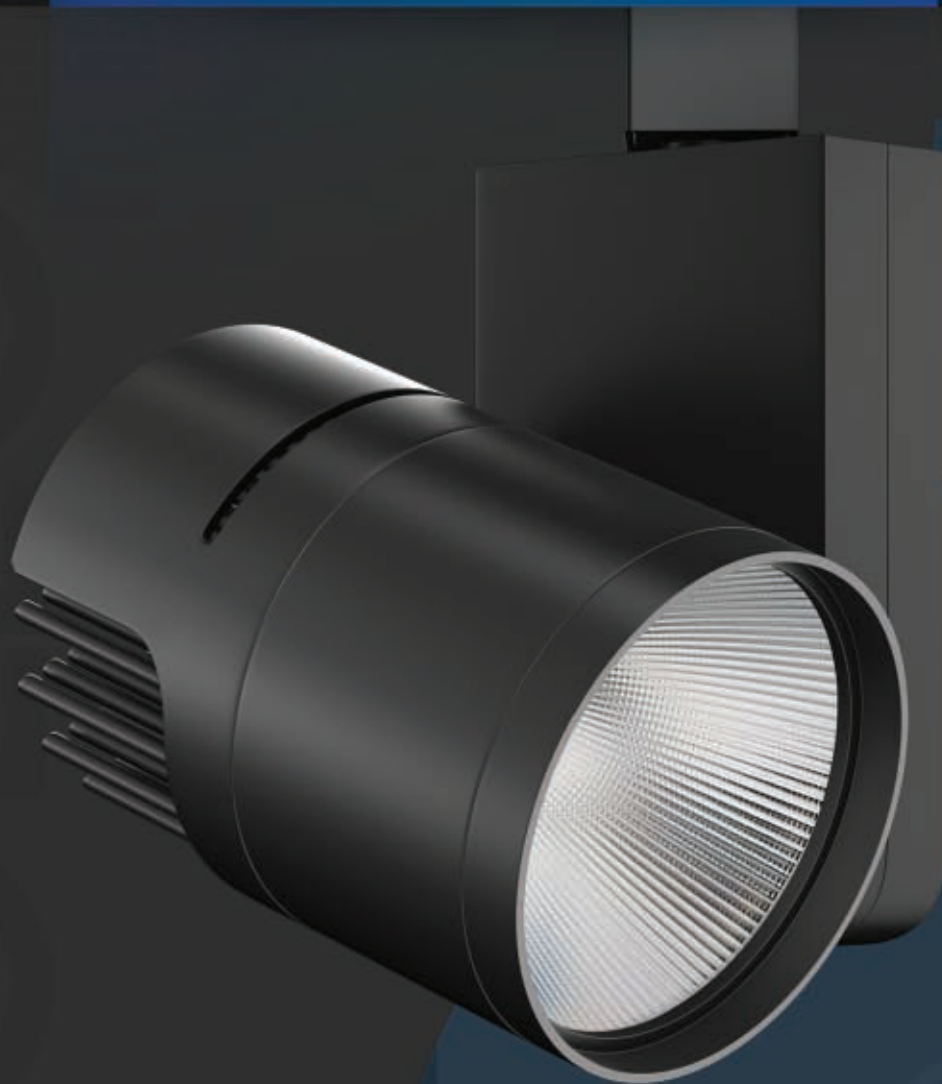
LMPT6

1-Circuit / 2-Circuit Track Adapter for 6" Lumen Cannon. Fits LITON 3-Circuit/1-Neutral Architectural Track

6-INCH SURFACE MOUNT LED • LUMEN CANNON CYLINDER • MOUNTING OPTIONS

APOLLO LED TRACK LIGHTING

ARCHITECTURAL | LED TRACK LIGHTING | 30W/3000 LM



APOLLO

S E R I E S

LTD7430 30W, 3000 Lumen
Apollo - Architectural LED Track Head

▶ ALSO AVAILABLE IN 3-CIRCUIT/1-NEUTRAL & 2-CIRCUIT/2 NEUTRAL Visit us online www.liton.com

APOLLO LED TRACK

ARCHITECTURAL | 30W/3000 LM



LTD7430

4 Color Temperatures

2700K, 3000K, 3500K, and 4000K.

5 Powerful Lumen Packages

10W (850Lm), 15W (1,600Lm), 30W (3,000Lm), 50W (4,500Lm), and 60W (6,000Lm).



LTD7450
LTD7460

Specification-quality Optics

3-Step MacAdam Ellipse Binning (SDCM), High 90CRI Option.

3 Beam Spreads

Available in 3 beam spreads (Spot, Narrow Flood and Flood) to deliver maximum control over your light distribution.



LTD7410
LTD7415

3 Beautiful Designs

Precision design features solid die-cast construction, with no visible wires.

Durable Powder Coat Finish

For long lasting beauty. Available in White with Black heat sink, and all Black finishes.

Standard & Architectural Track

Works with both Liton standard, and architectural track lighting.

Lamp Life

50,000 Hrs. based on ANSI TM21 calculations from LM80 standardized test results.



LTD7410
LTD7415

APOLLO LED TRACK LIGHTING

ARCHITECTURAL | LTD7410 | LTD7415 | LTD7430

APOLLO LED TRACK LIGHTING • 1,100LM-2,900LM

LTD7410
LTD7415



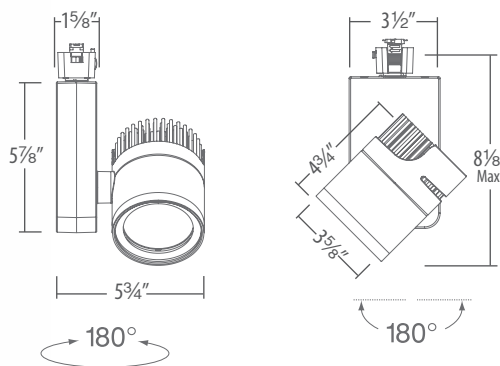
LTD7430



FEATURES

- 16W - 32W, 1100Lm – 2900 Lm packages
- 4 CCT Options: 2700K, 3000K, 3500K, 4000K.
- Xicato LED Modules available. Consult Factory.
- 80CRI Standard, 90CRI Option
- 3 Beamspreads: Spot, Narrow Flood & Flood
- 50,000 Hrs. based on ANSI TM21 calculations from LM80 standardized test results.
- Long lasting Powder Coat Finishes
- Available in White with Black Heat Sink and All Black
- Works with LITON Standard and Architectural Track (See website).

- 1 | High Lumen Output
- 2 | High Quality, Die-cast construction.
- 3 | ELV Dimming Option
- 4 | Precision design insures firm positioning.
- 5 | Specification-quality optics featuring 3-Step MacAdam Ellipse Binning (SCDM)
- 6 | Sleek, professional design, no visible wires or drivers.



LED TRACK LIGHTING ORDERING

Example: **LTD7415W-B25-DLV-T35-C90**

ITEM #	WATTAGE / LUMEN	FINISH	BEAM SPREAD	DIMMING	COLOR TEMP	CRI
LTD74	10 : 16W / 1100 Lm	B : Black	-B15 : Spot	Blank : Non Dimming	-T30 : 3000K	Blank : 80 CRI
	15 : 21W / 1500 Lm	W : White/Black	-B25 : Narrow Flood	-DLV : ELV Dimming	-T27 : 2700K	-C90 : 90 CRI*
	30 : 32W / 2900 Lm		-B45 : Flood		-T35 : 3500K	
					-T40 : 4000K	

* -C90 option is special order. Extended lead times may apply.

APOLLO LED TRACK LIGHTING

ARCHITECTURAL | LTD7450 | LTD7460

FEATURES

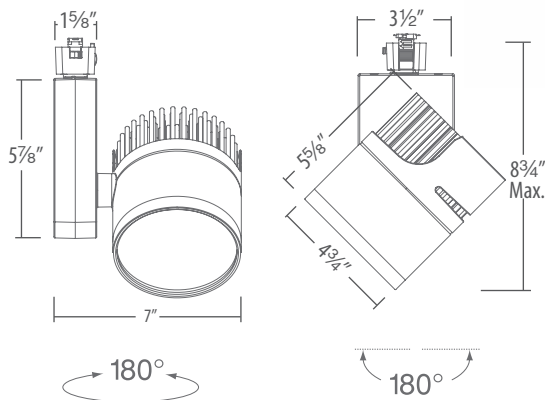
- 48W - 60W, 4500Lm – 6000 Lm packages
- 4 CCT Options: 2700K, 3000K, 3500K, 4000K.
- Xicato LED Modules available. Consult.
- 80CRI Standard, 90CRI Option
- 3 Beamspreads: Spot, Flood & Wide Flood
- 50,000 Hrs. based on ANSI TM21 calculations from LM80 standardized test results.
- Long lasting Powder Coat Finishes
- Available in White with Black Heat Sink and All Black
- Works with LITON Standard and Architectural Track (See website).

BENEFITS

- Fully die-cast for high quality, long-lasting beauty
- 3 beam spread options for fine tuning footcandle distribution
- Powerful 6000 lumen output lights objects and spaces near and far
- T4 & T6 performance in a long life, cool running LED track head



- 1 | High Lumen Output
- 2 | High Quality, Die-cast construction.
- 3 | ELV Dimming Option
- 4 | Precision design insures firm positioning.
- 5 | Specification-quality optics featuring 3-Step MacAdam Ellipse Binning (SCDM)
- 6 | Sleek, professional design, no visible wires or drivers.

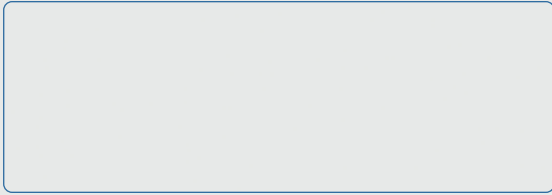


LED TRACK LIGHTING ORDERING

Example: **LTD7460W-B25-DLV-C90**

ITEM #	WATTAGE / LUMEN	FINISH	BEAM SPREAD	DIMMING	COLOR TEMP	CRI
LTD74	50 : 48W / 4500 Lm	B : Black	-B15 : Spot	Blank : Non Dimming	-T30 : 3000K	Blank : 80 CRI
	60 : 60W / 6000 Lm	W : White/Black	-B25 : Narrow Flood	-DLV : ELV Dimming	-T27 : 2700K	-C90 : 90 CRI*
			-B45 : Flood		-T35 : 3500K	
					-T40 : 4000K	

* -C90 option is special order. Extended lead times may apply.



- 2-INCH RECESSED LED
- 2.5-INCH RECESSED LED
- 3-INCH RECESSED LED
- 3.5-INCH RECESSED LED
- 4-INCH RECESSED LED
- 6-INCH RECESSED LED
- SURFACE MOUNT LED
- APOLLO TRACK LED

ARCHITECTURAL LED OUTDOOR LIGHTING FROM LITON

▶ LED WALL PACKS



▶ LED AG SERIES



▶ LED BOLLARDS



▶ SQUARE PATHWAY WALL MOUNT

