

4" GU10 LED

GENERAL PURPOSE | ECONOMY

MOUNTING METHODS

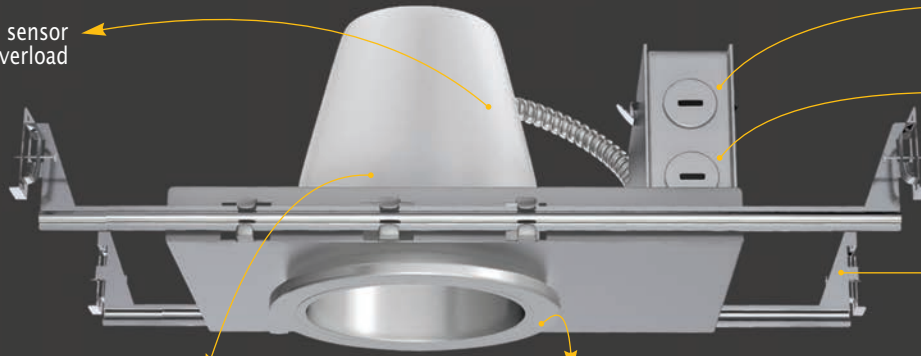
ENERGY SAVING

EASY INSTALLATION

THE INEXPENSIVE & BEAUTIFUL WAY TO LED

MINIATURE RECESSED

Thermal sensor prevents overload



No driver required

Input Voltage
120V 2-wire

Heavy-duty
Adjustable
24" hanger bars

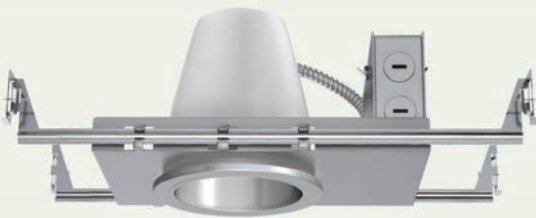
Porcelain GU10 'Twist & Lock'
Socket with High Temperature Leads

Die-Cast Trims for lasting beauty

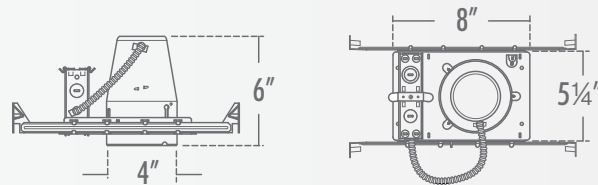
FEATURES

- The most cost effective way to Energy Savings
- Available for New Construction and Remodel Applications
- Standard porcelain GU10 "Twist & Lock" socket with high temperature leads
- Integral thermal protector to guard against improper lamping and installation
- No driver, transformer or ballast required
- Lamp not included

► LH99A-GU10



4" NEW CONSTRUCTION HOUSING

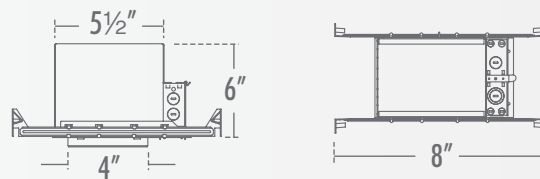


GU10 • 24 "Adjustable Hanger Bars • Non IC rated must be kept 3" from insulation • Integral Thermal Protector insures safe installation and operation • Junction Box is listed for through branch circuit wiring (2 in - 2 out) with 3/4" knock-outs • Standard porcelain GU10 "Twist & Lock" socket with high temperature leads • ETL Listed for feed through and damp location.

► LH99ICA-GU10



4" IC HOUSING

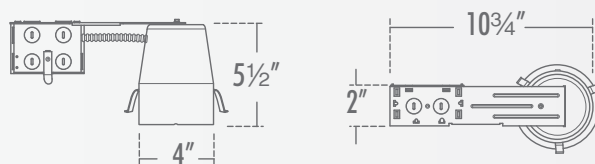


GU10 • 24 "Adjustable Hanger Bars • IC rated for direct contact with low to medium density loosefill blown & rolled insulation • Integral Thermal Protector for safe installation and operation • Junction Box is listed for through branch circuit wiring with 3/4" knock-outs • Standard porcelain GU10 "Twist & Lock" socket w/ high temperature leads • ETL Listed (feed through & damp location).

► LH99RA-GU10



4" REMODEL HOUSING



GU10 • Prewired housing suitable for existing or new construction installations • Integral Thermal Protector insures safe installation and operation • Junction Box is listed for through branch circuit wiring (2 in - 2 out) with 3/4" knock-outs • Standard porcelain GU10 "Twist & Lock" socket with high temperature leads • ETL Listed for feed through and damp location.

4" ECONOMY LED RECESSED TRIMS

THE **INEXPENSIVE & BEAUTIFUL** WAY TO LED

4" MINIATURE RECESSED

4" GU10 LED

GENERAL PURPOSE | ECONOMY

FEATURES

- Supplied with gasket to prevent light leakage and unsightly heat streaks on ceiling surface.
- Steel pressure springs mounted on trim to ensure positive retention inside housing.
- Lamp not included

- Input Voltage 120V 2-wire
- Porcelain GU10 'Twist & Lock' Socket with High Temperature Leads
- Beautiful Designer Finishes
- Damp Location Rated, Wet Location Option (-WL)
- UL Listed, cETL Listed

LITON STRONGLY RECOMMENDS TESTING LAMPS FOR FIT WITH FIXTURE PRIOR TO LAMP PURCHASE

LR1421

Ordering Example: **LR1421W**

REFLECTOR

REFLECTOR

RING



W: White
B: Black
C: Clear
CH: Champagne Gold
N: All Natural
MO: All Mocha
S: Satin Haze

Blank: White
B: Black
C: Chrome
G: Gold
N: Natural
MO: Mocha
PB: Polished Brass

LR1493

Ordering Example: **LR1493W**

BAFFLE

BAFFLE

RING



W: White
B: Black
N: All Natural
CO: All Copper
MO: All Mocha

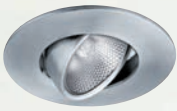
Blank: White
B: Black
N: Natural
CO: Copper
MO: Mocha

LR1409

Ordering Example: **LR1409W**

ADJ. GIMBAL

FINISH



W: All White
B: All Natural
N: All Natural
CO: All Copper

LR1419

Ordering Example: **LR1419W**

PINHOLE

FINISH



WD: White Baffle / White Ring
B: Black Baffle / White Ring
BB: All Black
MO: All Mocha
BD: Die Cast Black

LR1400

Ordering Example: **LR1400W**

DECO GLASS

REFLECTOR

RING

GLASS



W: White
B: Black
C: Clear
S: Satin Haze
CO: All Copper
MO: All Mocha

Blank: White
B: Black
N: Natural
CO: Copper
MO: Mocha

-FR: Frosted

Cone

LR1446

Ordering Example: **LR1446C-FR**

DECO GLASS

REFLECTOR

RING

GLASS



C: Clear

Blank: White
B: Black
C: Chrome
N: Natural
CO: Copper
MO: Mocha

-FR: Frosted

Shield Dome

LR1495

Ordering Example: **LR1495W**

WALL WASH

BAFFLE

RING



W: White
B: Black
N: Natural
CO: Copper

Blank: Damp
-WL: Wet Location

GU10 LAMPS*



Sora

Green Creative

Satco

Philips

* Lamps purchased elsewhere