

# LITON<sup>®</sup>

L I G H T I N G

## ▶ MINI-ARC PHANTOM COLLECTION

12V · LED · HID · 120V  
ARCHITECTURAL

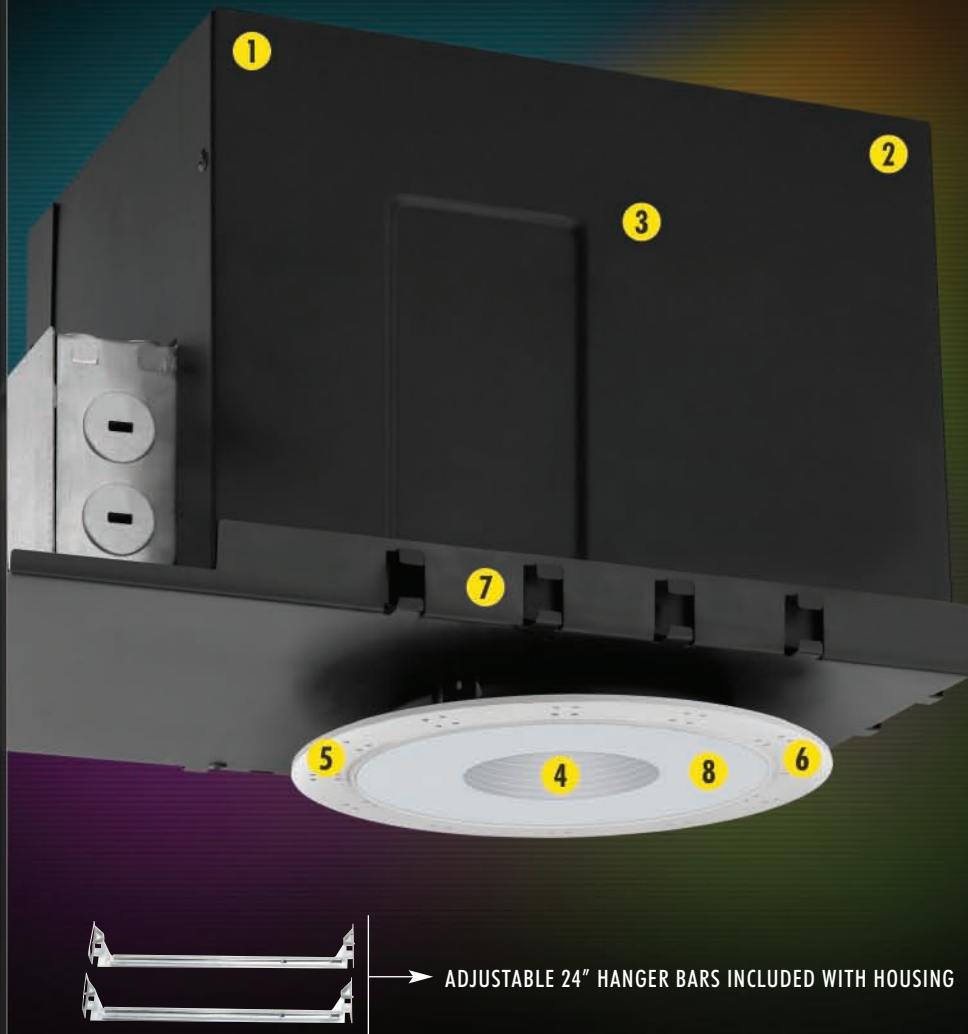


A COLLECTION OF TRIMLESS DOWNLIGHTS FROM LITON

AN **cema** LIGHTING GROUP COMPANY

► **MINI-ARC PHANTOM COLLECTION**

► **ARCHITECTURAL SERIES**

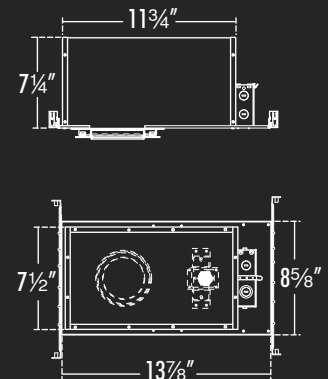


- 1. HOUSING PAINTED BLACK**  
to reduce stray light
- 2. INTERNAL GASKETING**  
of power supply to eliminate vibration noise
- 3. EASY ACCESS**  
power supply mounted inside box for easy maintenance
- 4. MULTIPLE LAMP SOURCES**  
HID, LED, Low Voltage, Line Voltage
- 5. DIE-CAST PLASTER FRAME**  
for seamless integration with ceiling
- 6. PRE-SET MOUNTING HOLES**  
for 1/2", 5/8", 3/4", 1" ceiling thickness for easy installation
- 7. ADJUSTABLE 24" HANGER BARS**  
included with housing
- 8. FULLY DIE-CAST TRIMS**  
"Glare-Reducing" Architectural Trims

► **MINI-ARC PHANTOM HOUSING ORDERING**

Example: **LHX4LV75**

ITEM#	OPTIONS*
LHX4	LV : 12V 50W Bi-Pin MR16
	LV75 : 12V 75W Bi-Pin MR16
	LVICA : 12V 37W Bi-Pin MR16; IC Contact
	LD08C70 : LED 8W Quick Connect; IC Contact
	LD04C35 : LED 4W Quick Connect; IC Contact
	MH20 : HID 20W GX10 CMH-MR16
	MH39 : HID 39W CMH-MR16
	IN50 : 120V 50W GU10 MR16



\* Standard 120V AC input; Consult Factory for 277V

▶ **MINI-ARC PHANTOM TRIMS**

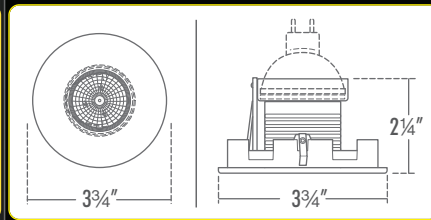
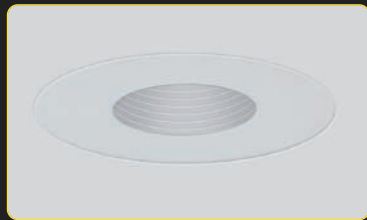
▶ **ARCHITECTURAL SERIES**



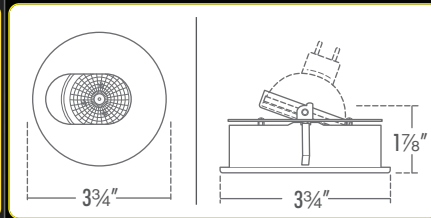
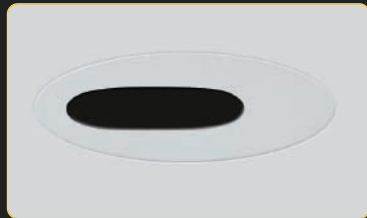
TRIM RING  
FLUSHES  
TO CEILING

ATTRACTIVE TRIM STYLES  
AVAILABLE TO CHOOSE FROM

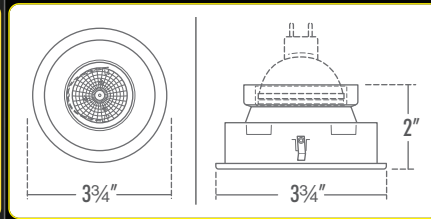
ADJUSTABLE PRE-SET THICKNESS SETTINGS  
ACCOMMODATE VARIOUS CEILING THICKNESS



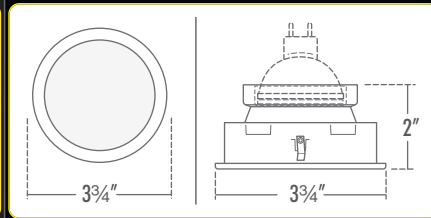
PINHOLE	FINISHES	LAMPING KIT
<b>LRX419</b> : Pinhole	W : White	-GX10 [HID Hsg] -GU53 [12V Hsg] -GU10 [120V Hsg] -LD04 [4W LED Hsg] -LD08 [8W LED Hsg]



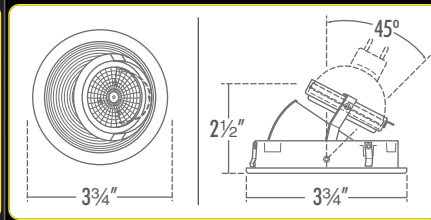
SLOT	FINISHES	LAMPING KIT
<b>LRX420</b> : Slot	W : White	-GX10 [HID Hsg] -GU53 [12V Hsg] -GU10 [120V Hsg] -LD04 [4W LED Hsg] -LD08 [8W LED Hsg]



REFLECTOR CONE	FINISHES	LAMPING KIT
<b>LRX421</b> : Reflector Cone	W : White SW : Satin-White	-GX10 [HID Hsg] -GU53 [12V Hsg] -GU10 [120V Hsg] -LD04 [4W LED Hsg] -LD08 [8W LED Hsg]

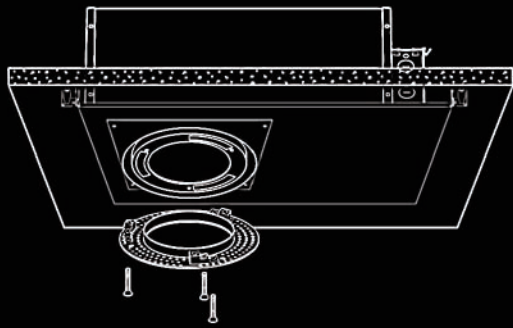


FROSTED LENS	FINISHES	LAMPING KIT
<b>LRX422</b> : Frosted Lens	W : White	-GX10 [HID Hsg] -GU53 [12V Hsg] -GU10 [120V Hsg] -LD04 [4W LED Hsg] -LD08 [8W LED Hsg]



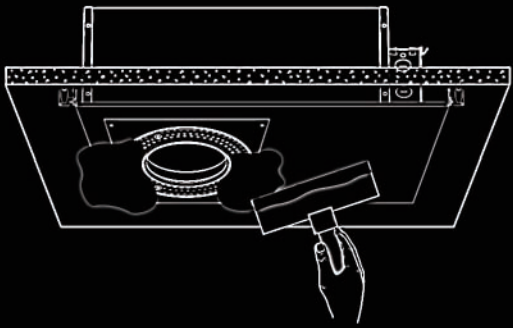
ADJUSTABLE ACCENT	FINISHES	LAMPING KIT
<b>LRX473</b> : Adjustable Accent	W : White SW : Satin-White	-GX10 [HID Hsg] -GU53 [12V Hsg] -GU10 [120V Hsg] -LD04 [4W LED Hsg] -LD08 [8W LED Hsg]

## ▶ IN 3 EASY STEPS . . .



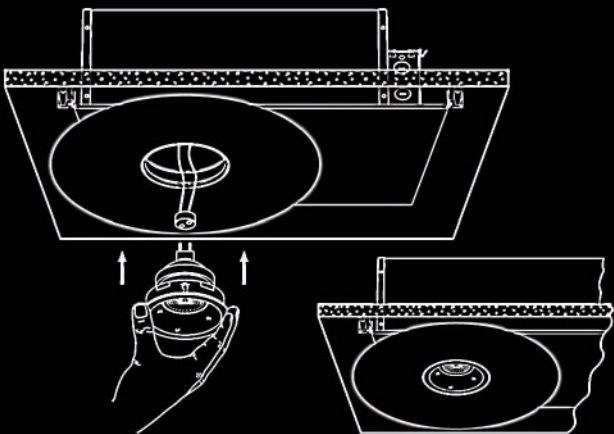
▶ 1

Cut appropriate hole for plaster trim ring and set height of ring based on ceiling thickness.



▶ 2

Apply plaster tape and compound around plaster trim ring and even out any rough edges.



▶ 3

Install die-cast lighting trim, by simply pushing it in.