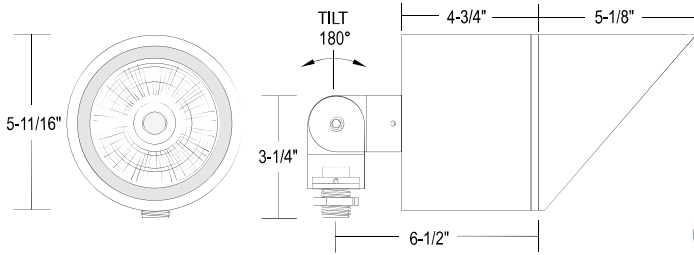


AG2360 : AG2·SERIES

6" ROUND SPOT/FLOOD LIGHT

WALL/CEILING/GROUND/TREE 1000LM - 2600LM (10W-30W)



AG2360 Shown with
Glare Shield Option (-SH)



- Design consistency with WD/DL/BL2 Series
- Variety of mounting methods
- 120-277V/347V Input options
- Optional field adjustable Variable Beams, CCTs, and dimming options
- Wireless and wired RGBW options available (12W)
- Glare shield for eye comfort
- Weep holes for water drainage

ORDERING : AG2360W-L15-B10UE-DUN-T27-JB-CRD/AG2-T-W

AG2360

Fixture	Finish	Lumen	Beam Spread	Dimming	LED	Mounting	Options	Accessories	Color Finish
Finish		Beam Spread		LED		Accessories			
White	AG2360W	Wide Flood	Blank	4000K (90 CRI)	Blank	GROUND Installation			
Black	AG2360B	Narrow Spot	-B10	2700K (90 CRI)	-T27	None Blank			
Bronze	AG2360BZ	Spot	-B20	2700K (97 CRI)	-T27-C97	Ground Spike /AG2-SPK			
Silver	AG2360S¹	Flood	-B45	3000K (90 CRI)	-T30	Ground Spike, AC /AG2-SPK-AC			
Light Silver	AG2360LS¹	Asymmetric (30° x 60°)	-B3060¹	3000K (97 CRI)	-T30-C97	WALL/CEILING/TREE Installation⁵			
Dark Grey	AG2360DG¹	Variable Beam (25° - 50°)	-BVR	3500K (90 CRI)	-T35	T-Connector /AG2-T			
Metallic Gold	AG2360MG¹			5000K (80 CRI)	-T50	L-Connector /AG2-L			
Metallic Black	AG2360MB¹			RGB+W Control (24VDC)	-RGBWV24^{1,2}	Stem Coupler /AG2-CPL			
				590nm Amber (Turtle Safe)	-TAM⁹	6" Stem /AG2-STM06			
Lumen		Dimming		Mounting					
1000lm (10W)	Blank	Non-Dimming (120V)	Blank	Direct	Blank	12" Stem /AG2-STM12			
1500lm (15W)	-L15	UniDim™ (120V/277V)	UE-DUN	Flat Plate, Surface Mount	-PL	18" Stem /AG2-STM18			
2200lm (22W)	-L20	0-10V (120V/277V)	UE-D10	Junction Box	-JB	24" Stem /AG2-STM24			
2600lm (30W)	-L26	Triac Dimming (120V)	-DIN	Options^{3,4}		36" Stem /AG2-STM36			
		0-10V 1% (120V/277V)	UE-D10P1	None	Blank	ROUND POLE MOUNT Installation			
		347V 0-10V Dimming	-347-D10⁸	36" Jacketed-Cable	-CRD	Tenon Reducer Hub /AG2-TRH-1/2			
				36" Cable and Shield	-CRD-SH	EMERGENCY OPTIONS Installation			
				Shield	-SH	None Blank			
				Hex-Cell Louver	-LVR	Face Mount EM Back Pack /AG2-EMB			
				Photocell Sensor	-SDL	Empty Back Pack /AG2-EMB BLANK⁷			
				Surge Protector	-SRG	Color Finish⁶			
				Frosted Lens	-FR	White -W			
						Black -B			
						Bronze -BZ			

¹ Special Order. Minimum order, extended lead time may apply. Consult factory.
² Remote power supplies and control gear required. Available with wireless bluetooth or DMX control. Consult factory for details.
³ Cable (-CRD) not available with stem and mounting.
⁴ Custom cable lengths available. Consult Factory.
⁵ Custom stem lengths available. Consult Factory.
⁶ Color finishes of accessories do not apply for AG2-SPK or AG2-SPK-AC.
⁷ Blank EM enclosure available for non-EM units to provide a seamless design.
⁸ (-347-D10) not available with 1000lm, 10W (Blank).
⁹ (-TAM) 590nm Amber (Turtle Safe) only available with Wide Flood (Blank) Beam Spread.

2024.03.26

SPECIFICATION

Mounting Options

DIRECT - STANDARD	PLATE	JUNCTION BOX
<ul style="list-style-type: none"> • 1/2" IPS Nipple and Nut (<i>Stainless Steel</i>) • For direct install and fastening with Nipple and Nut • Direct surface install for Line Voltage Input 	<ul style="list-style-type: none"> • Φ 4.75" Flat Mounting Plate (8 Ga, 0.125" thk Aluminum) • For install directly to 4" Octagonal Junction Box • Plate Install for Line Voltage Input • Consult Factory for Custom Stem and Cord Lengths 	<ul style="list-style-type: none"> • Die cast waterproof aluminum JBOX included • 4" Octagonal Jbox (with Mounting Tabs @ 4.25" Hole-to-Hole) • x5 1/2" Knockouts for Conduit Feeds • JBOX Install for Line Voltage Input • Consult Factory for Custom Stem and Cord Lengths

DIRECT MOUNT - STANDARD

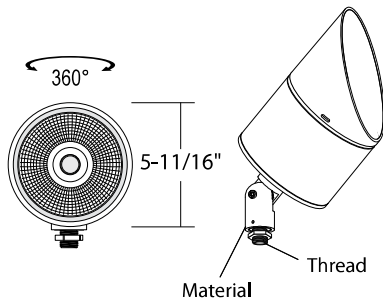
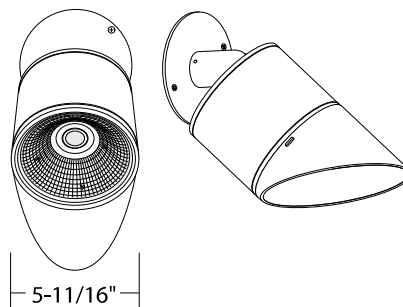
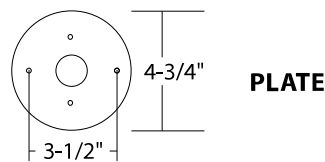
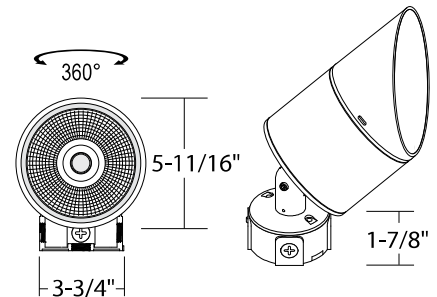


PLATE MOUNT



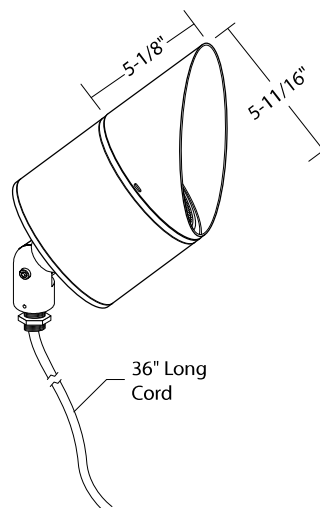
JUNCTION BOX



Cable and Glare Shield

AG2360-CRD-SH

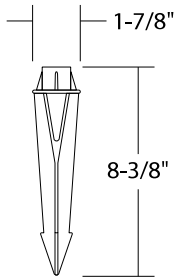
- Aluminum Shields/Visor for Glare Control
- 18/3 Ga Jacketed PVC Cord (36" Standard length)
- Glare Shield and cable option pre-installed to fixture
- Consult factory for custom cable lengths
- Shield is equipped with weep holes for water drainage



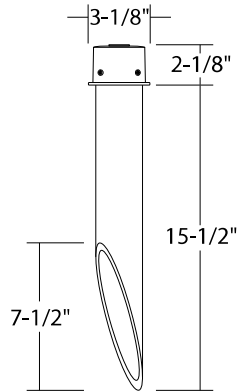
SPECIFICATION (Continued)

Accessories - In-Ground Mount

SPK
(Ground Spike for installation in-ground)

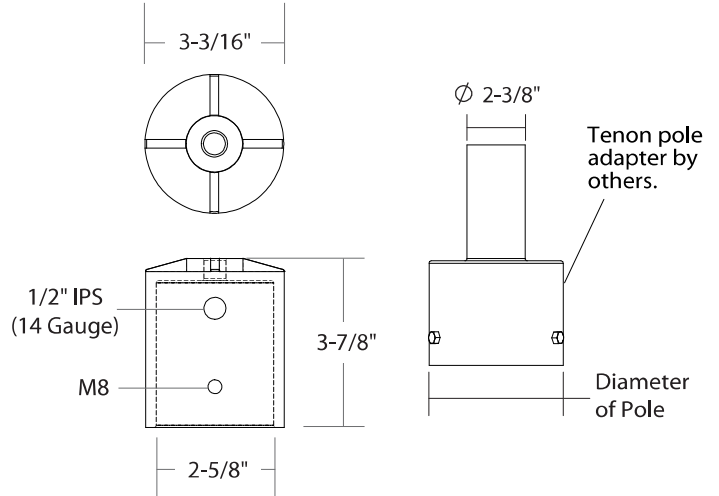


SPK-AC
(Ground Spike for installation and wiring in-ground)



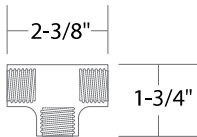
Accessories - Round Pole Mount

AG2-TRH-1/2
(1/2" IPS Tenon Reducer for mounting on 2-3/8" pole)

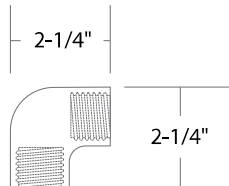


Accessories - Surface Mount

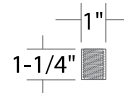
AG2-T
(T-Connector, 1/2" IPS Internally Threaded)



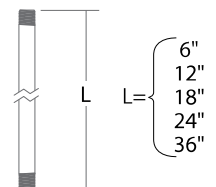
AG2-L
(L-Connector, 1/2" IPS Internally Threaded)



AG2-CPL
(1/2" IPS Stem Coupler)



AG2-STMxx
(1/2" IPS Externally Threaded Stems; 14 Threads per pitch, 16 Gauge)



SPECIFICATION (Continued)

BackPack Face Mount (/AG2-EMB)

Eliminates need for long runs back to remote emergency battery location. Installs directly on building surface. Ideal for locations wanting same mounting aesthetics for Emergency and Non-Emergency fixtures without the use of remote Emergency power. Can be fed from recessed wall mounted junction box from the back of fixture.

- Wet location rated.
- 120V-347V operation.
- Self diagnostic.
- Integral surge protector for emergency driver only.
- Includes (2) 1/2" NPT knock-outs.
- Optional /EMB-BLANK can be used to maintain a common aesthetic when /AG2-EMB are used.

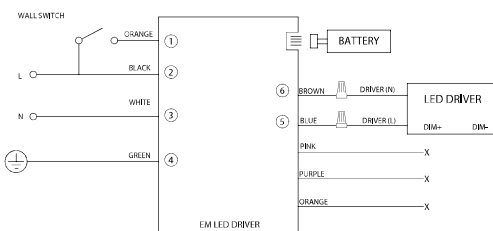


Input Voltage:	120-347 Vac (50/60 Hz)
Input Power:	7 Watts
Output Voltage:	170 V DC
Input Current:	100mA
Output Power:	18W
Surge Protection:	Line-Neutral 3000V
EM Operation:	90 minutes
Charge Time:	24 hour recharge
Ambient Temperature:	0°C to + 50°C (30°F to 122°F)
Weight:	3.7 lb
Rating:	cUL

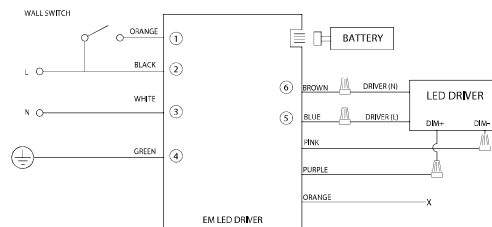
MODE	TEST SWITCH	INDICATOR STATUS	COMMENT
AC MODE 1	NOT PRESSED	ON (no flash)	EM DRIVER is CHARGING
AC MODE 2	PRESSED ONCE	2s ON THEN 2s OFF (slow flashing)	EM DRIVER is running 30s DIAGNOSTICS test
AC MODE 3	PRESSED TWICE [2s] in sequence	2s ON THEN 2s OFF (slow flashing)	EM DRIVER is running 90min DIAGNOSTICS test
EM MODE 1	NOT PRESSED	2s ON THEN 2s OFF (slow flashing)	EM DRIVER IS OUTPUTTING EM CONSTANT POWER LOAD
EM MODE 2	PRESSED ONCE		EM DRIVER IS OFF

When indicator flashes (0.2s) ON and then 0.2s (OFF) quickly or turns off, unit is defective. Contact manufacturer.

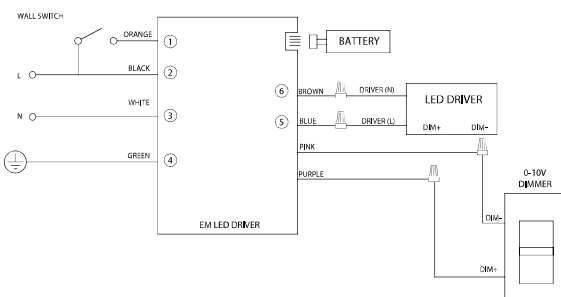
10W, 15W



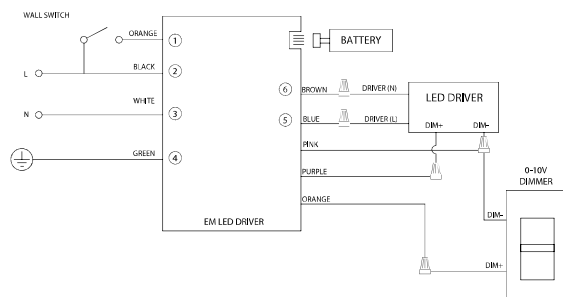
22W, 30W



10W, 15W (Dimmer)



22W, 30W (Dimmer)



NOTE: WHEN LED FIXTURE POWER IS MORE THAN 18W LED FIXTURE MUST BE EQUIPPED WITH 0-10V DIMMABLE DRIVER

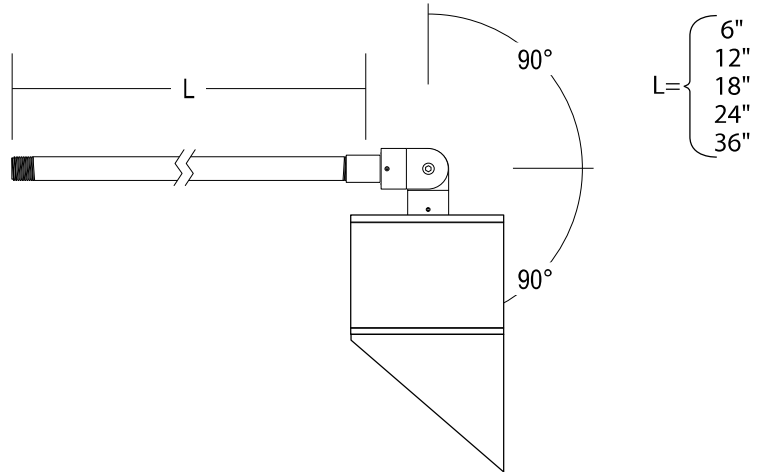
SPECIFICATION (Continued)

Typical Combinations

Fixture with Stem

Items shown:

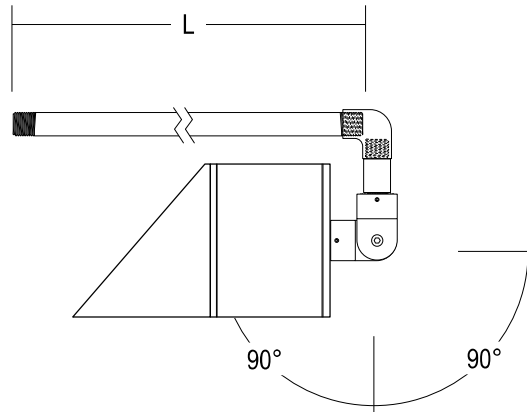
- AG2-STMxx
- AG2-CPL
- AG2360



L-connector with Stem

Items shown:

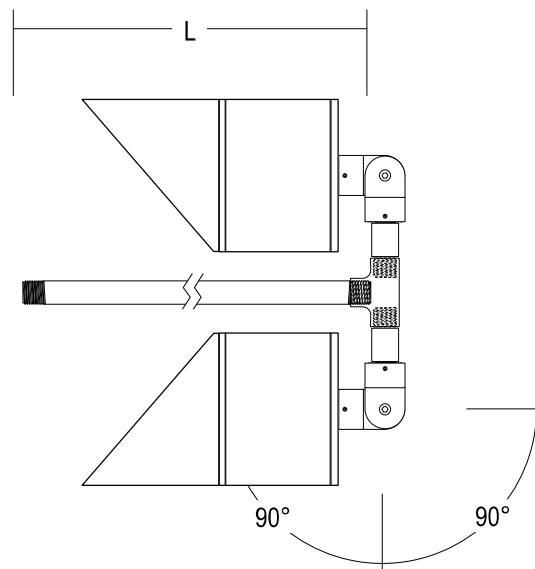
- AG2-STMxx
- AG2-L
- AG2-CPL
- AG2360



T connector with Stem

Items shown:

- AG2-STMxx
- AG2-T
- AG2-CPL
- AG2360



SPECIFICATION (Continued)

Application

The AG series above-grade floodlight is suitable for surface ceiling, surface wall, or pendant stem mounts in both interior and outdoor settings. The die-cast joint allows for 180° tilt and 360° swivel adjustability to create several configurations.

Electrical

LED Driver: AC 50/60Hz Electronic Direct Current Class 2 driver integrally mounted.

Power Factor > 0.90. See Dimming Section for voltage and wiring.

Minimum Operating Temperature:

Standard: -10°C/14°F

Housing

Housing is constructed from a square one piece high grade aluminum extrusion. (Alloy 6061 <04% Cu). Faceplate (with a tempered glass lens) and top cap are of a robust die-cast aluminum alloy and are secured to the housing with (4) socket head tamper resistant stainless steel screws and seal the housing (top and bottom) using silicone gaskets.

Mounting:

A mounting bracket attaches to or over a recessed J-Box (by others) and has through holes to accept (4) four countersunk phillips head screws in the top edge of the fixture housing.

Finish:

A 7-stage electrostatic, polymer process provides an outdoor textured powder coat finish that delivers outstanding durability, superior anti-aging, resistance to corrosion and UV-degradation. Consult factory for Custom Color. (More Information)



Standard Finishes:

White: RAL 9003 (W)
 Silver: RAL 7037 (S)
 Basic Bronze: RAL 8019 (BZ)
 Black: RAL 9005 (B)

Special Order Finishes:

Light Silver: RAL 7036 (LS)
 Dark Gray: RAL 7015 (DG)
 Metallic Gold: RAL 1001 (MG)
 Metallic Black: RAL 7021 (MB)

Certifications and Listings:

ETL / cETL Listed to UL1598 and UL8750 standards.



Suitable wet locations. (IP65)

Assembled in USA.



IK08 rated for impact resistance.

SPECIFICATION (Continued)

Caution: LITON recommends use of surge protectors on the power entering light fixture.

Warranty

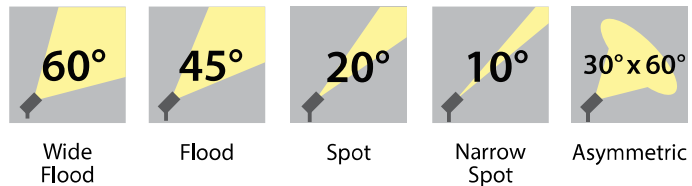
Covered by a 5-year Warranty to be free of defects in materials and craftsmanship. Fixture should not be installed in applications with ambient temperature above 50°C/122°F. Doing so will result in reduced lamp life and voided warranty.

Optics

Multifaceted aluminum reflector produces low glare illumination with multiple light control options.

Standard Beam:

Used for maximum light output and visible field angle.



LED

COB (Chip on Board) singular LED light source provides for smooth, uniform light output, eliminating the imaging produced by multiple LED source optics.

Lumen Maintenance:

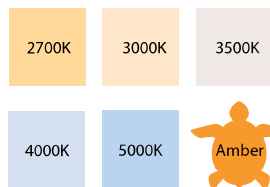
Lumen Maintenance is a minimum 50,000 hours L70 life based on ANSI TM-21 calculations from LM80 standardized test results.

Lumen Options (Nominal):

1000lm (10W) (Blank)	2200lm (22W) (-L20)
1500lm (15W) (-L15)	2600lm (30W) (-L26)

Color Temperature:

Binned with 4-step MacAdam ellipses as per ANSI Standard recommendation.



COLOR TEMP:	2700K	3000K	3500K	4000K	5000K
CRI:	90, 97	90, 97	90	90	80

Amber: 590nm (Turtle Safe)

SPECIFICATION (Continued)

RGB+W:

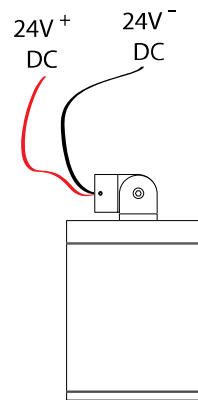


15W RGBW LED Module Illuminates surfaces up to 10 feet away. Used for applications desiring a dynamic color changing effect. RGB+W design allows fine-tuned pastel colors and saturated hues without sacrificing illumination brightness. Can be set for static colors or dynamic shows. Multiple control options available with either Wireless Bluetooth control or DMX 512 remote mounted decoders.

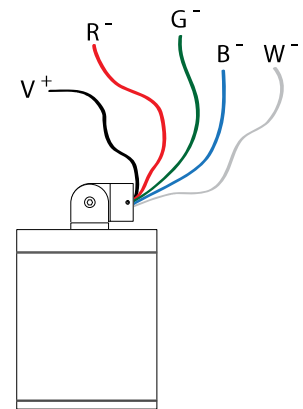
On-site commissioning and programming available.

Consult Factory for Layout Assistance and Lead Times.

COLOR	CCT/WAVELENGTH	POWER
Red	640nm	3.1W
Green	520nm	3.1W
Blue	450nm	3.1W
White	2700K	3.1W



WIRELESS



WIRED

SPECIFICATION (Continued)

Dimming Options

ELV and TRIAC Driver 120V (-DIN):

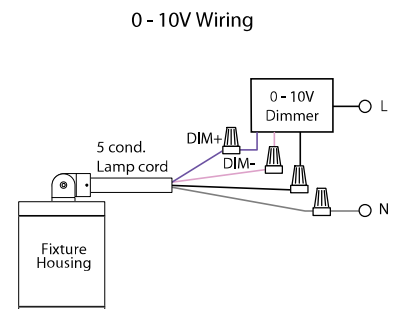
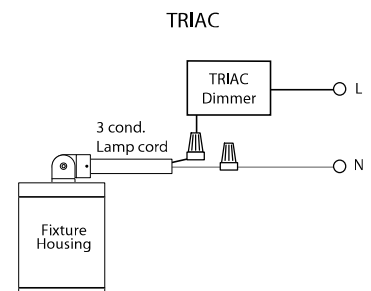
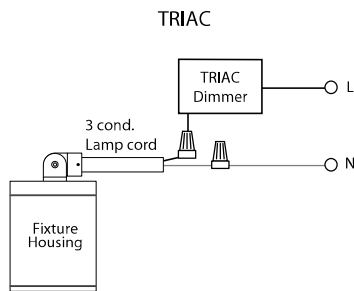
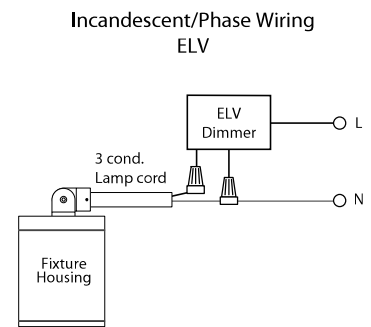
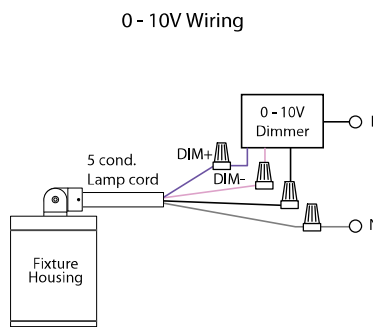
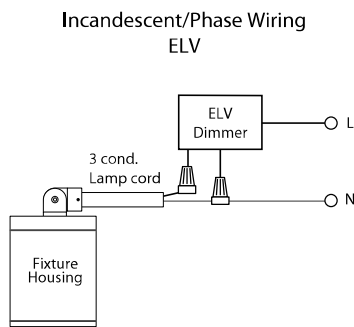
Compatible with electronic low voltage, and 2-Wire incandescent dimmers. Also known as leading edge, Reverse Phase, Forward Phase dimming. Allows smooth dimming down to 5% depending upon the dimmer's limitations.

0-10V Driver 120V/277V (UE-D10):

Compatible with most existing 0-10V systems. Also known as fluorescent or 5-Wire dimming. Allows smooth dimming down to 5% depending upon the dimmer's limitations. Compatible with daylight harvesting controls.

UniDim™ Driver 120V/277V (UE-DUN):

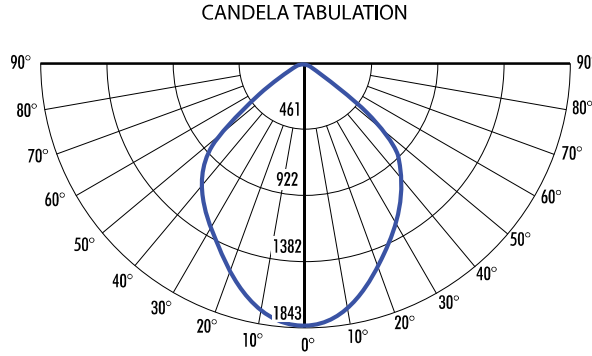
All in one ELV and TRIAC phase dimming (120V only), and 0-10V dimming (120V/277V). Works with most 3-Wire ELV, 2-Wire incandescent and 120V/277V 5-Wire 0-10V fluorescent dimmers.



PHOTOMETRY

AG2360S-L26UE-DUN (2600lm, 30W, Wide Flood, 4000K)

System Power:	31W	MULTIPLIERS	
Test Date:	12/2023	CCT	
Beam Angle 50%:	91.0°	2700K	0.88
Field Angle 10%:	119.0°	3000K	0.92
Color Temperature:	4151K	3500K	1.00
CRI:	92.4	4000K	1.00
Lumens Delivered:	3138	5000K	1.00
CBCP:	1843.1	-TAM	0.07
Power Factor:	0.97	LUMENS	
Input Voltage:	120V	1000lm (Blank)	0.39
		1500lm (L15)	0.53
		2200lm (L20)	0.72
		2600lm (L26)	1.00

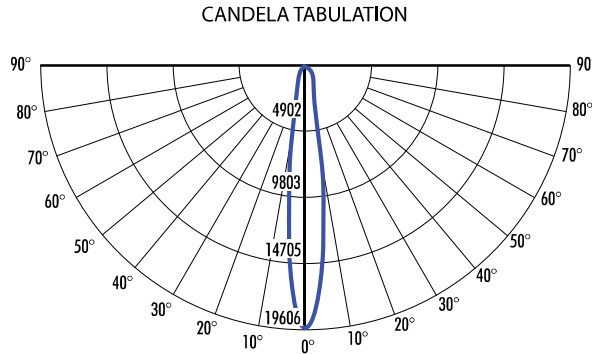


FOOTCANDLE DISTRIBUTION

Height	Beam Diameter											FC
	50°	40°	30°	20°	10°	0°	10°	20°	30°	40°	50°	
30.0'						61.1'						2
16.0'						32.6'						7
15.0'						30.5'						8
14.0'						28.5'						9
12.0'						24.4'						13
10.0'						20.4'						18
8.0'						16.3'						29
6.0'						12.2'						51
5.0'						10.2'						74
4.0'						8.1'						115

AG2360S-L26-B10UE-DUN (2600lm, 30W, Narrow Spot, 4000K)

System Power:	31W	MULTIPLIERS	
Test Date:	12/2023	CCT	
Beam Angle 50%:	14.9°	2700K	0.88
Field Angle 10%:	33.1°	3000K	0.92
Color Temperature:	4151K	3500K	1.00
CRI:	92.4	4000K	1.00
Lumens Delivered:	3106	5000K	1.00
CBCP:	19606.1	-TAM	0.07
Power Factor:	0.97	LUMENS	
Input Voltage:	120V	1000lm (Blank)	0.38
		1500lm (L15)	0.53
		2200lm (L20)	0.72
		2600lm (L26)	1.00

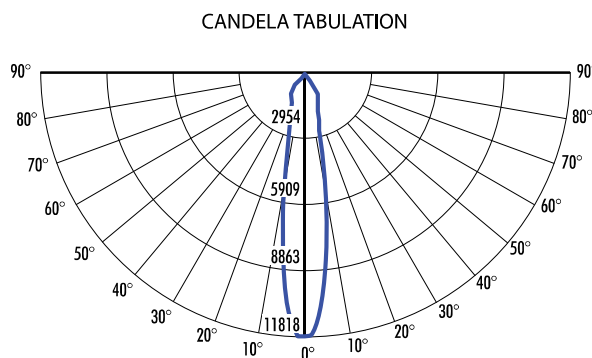


FOOTCANDLE DISTRIBUTION

Height	Beam Diameter											FC
	50°	40°	30°	20°	10°	0°	10°	20°	30°	40°	50°	
99.0'						25.9'						2
16.0'						4.2'						77
15.0'						3.9'						87
14.0'						3.7'						100
12.0'						3.1'						136
10.0'						2.6'						196
8.0'						2.1'						306
6.0'						1.6'						545
5.0'						1.3'						784
4.0'						1.1'						1125

AG2360S-L26-B20UE-DUN (2600lm, 30W, Spot, 4000K)

System Power:	31W	MULTIPLIERS	
Test Date:	12/2023	CCT	
Beam Angle 50%:	18.9°	2700K	0.88
Field Angle 10%:	62.3°	3000K	0.92
Color Temperature:	4151K	3500K	1.00
CRI:	92.4	4000K	1.00
Lumens Delivered:	2880	5000K	1.00
CBCP:	11817.5	-TAM	0.07
Power Factor:	0.97	LUMENS	
Input Voltage:	120V	1000lm (Blank)	0.38
		1500lm (L15)	0.53
		2200lm (L20)	0.72
		2600lm (L26)	1.00

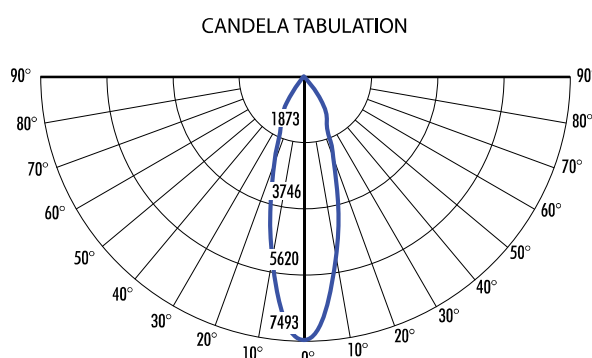


FOOTCANDLE DISTRIBUTION

Height	Beam Diameter											FC
	50°	40°	30°	20°	10°	0°	10°	20°	30°	40°	50°	
76.0'						25.3'						2
16.0'						5.3'						46
15.0'						5.0'						53
14.0'						4.7'						60
12.0'						4.0'						82
10.0'						3.3'						118
8.0'						2.7'						185
6.0'						2.0'						328
5.0'						1.7'						473
4.0'						1.3'						739

AG2360S-L26-B45UE-DUN (2600lm, 30W, Flood, 4000K)

System Power:	31W	MULTIPLIERS	
Test Date:	12/2023	CCT	
Beam Angle 50%:	29.1°	2700K	0.88
Field Angle 10%:	71.1°	3000K	0.92
Color Temperature:	4151K	3500K	1.00
CRI:	92.4	4000K	1.00
Lumens Delivered:	3020	5000K	1.00
CBCP:	7492.8	-TAM	0.07
Power Factor:	0.97	LUMENS	
Input Voltage:	120V	1000lm (Blank)	0.28
		1500lm (L15)	0.38
		2200lm (L20)	0.72
		2600lm (L26)	1.00



FOOTCANDLE DISTRIBUTION

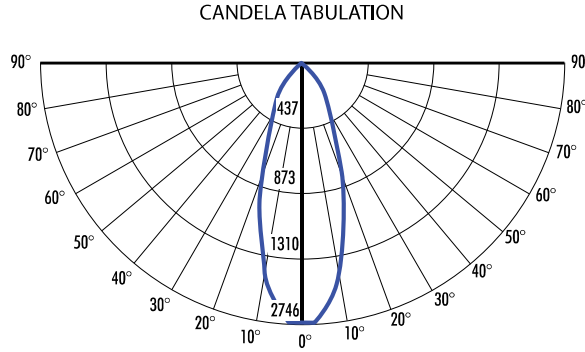
Height	Beam Diameter											FC
	50°	40°	30°	20°	10°	0°	10°	20°	30°	40°	50°	
61.0'						61.7'						2
16.0'						8.3'						29
15.0'						7.8'						33
14.0'						7.3'						38
12.0'						6.2'						52
10.0'						5.2'						75
8.0'						4.2'						117
6.0'						3.1'						208
5.0'						2.6'						300
4.0'						2.1'						468

2023.12.15

PHOTOMETRY (Continued)

AG2360S-L26-B3060UE-DUN (2600lm, 30W, 30°x60°, 4000K)

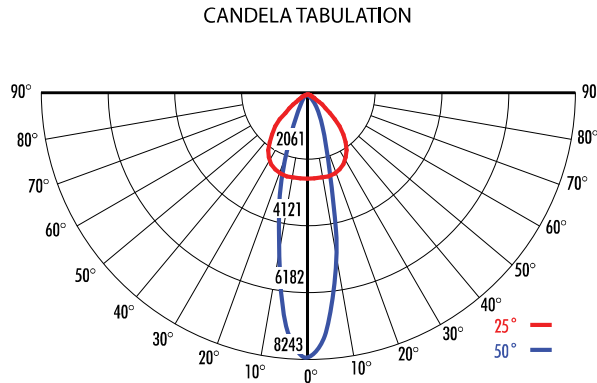
System Power:	31W	MULTIPLIERS	
Test Date:	12/2023	CCT	
Horizontal	40.4°	2700K	0.88
Beam Angle 50%:	67.1	3000K	0.92
Vertical	92.8°	3500K	1.00
Field Angle 10%:	119.9	4000K	1.00
Vertical	4151K	5000K	1.00
Field Angle 10%:	92.4	-TAM	0.07
Color Temperature:	3399	LUMENS	
CRI:	3214.60	1000lm (Blank)	0.39
Lumens Delivered:	0.97	1500lm (L15)	0.53
CBCP:	120V	2200lm (L20)	0.72
Power Factor:		2600lm (L26)	1.00
Input Voltage:			



FOOTCANDLE DISTRIBUTION		FC
Height	Beam Width	
	50° 40° 30° 20° 10° 0° 10° 20° 30° 40° 50°	
40.0'	53.1'	2
16.0'	21.2'	13
15.0'	19.9'	14
14.0'	18.6'	16
12.0'	15.9'	22
10.0'	13.3'	32
8.0'	10.6'	50
6.0'	8.0'	89
5.0'	6.6'	129
4.0'	5.3'	202

AG2360S-L26-BVRUE-DUN (2600lm, 30W, Variable Beam, 4000K)

System Power:	31W	MULTIPLIERS	
Test Date:	02/2024	CCT	
Beam Angle 50%:	24.7°	2700K	0.88
(Min. Zoom)	51.0°	3000K	0.92
Beam Angle 50%:	52.9°	3500K	1.00
(Max. Zoom)	82.5°	4000K	1.00
Field Angle 10%:	92.6	5000K	1.00
(Min. Zoom)	2638lm	-TAM	0.07
Field Angle 10%:	2458lm	LUMENS	
(Max. Zoom)	3306.6	1000lm (Blank)	0.39
Color Temperature:	8243.5	1500lm (L15)	0.53
CRI:	0.99	2200lm (L20)	0.72
Lumens Delivered:	120V	2600lm (L26)	1.00
CBCP:			
(Max. Zoom)			
CBCP:			
(Min. Zoom)			
Power Factor:			
Input Voltage:			



FOOTCANDLE DISTRIBUTION – 4" Variable Beam

Height	Beam Diameter		Footcandle	
	Min.	Max.	Min.	Max.
64'	28.0'	61'	2	n/a
40'	17.5'	38'	5	2
30'	13.1'	29'	9	4
20'	8.8'	19'	21	8
15'	6.6'	14'	37	15
10'	4.4'	10'	83	33
8'	3.5'	8'	129	52
6'	2.6'	6'	229	92
5'	2.2'	5'	330	132
4'	1.8'	4'	515	207