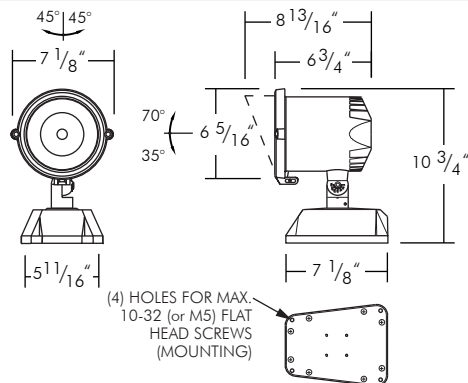


AG261 - 6" 3,000LM FLOOD LIGHT (IP65) ABOVE GRADE



SPECIFICATION

48W

Application: The AG-series ground and wall mount luminaires are designed for general landscape lighting, signs, flag poles, and building facades.

Housing: High-grade die cast aluminum housing and powder coat finish. Stem with an integrated swivel (sealed with silicone O-ring and locked with a tamper resistant stainless steel screw), 80° UP/55° DOWN. Stem rotates 45° (Max) Left/Right. Comes with one (1) cable gland in rear for easy installation of outdoor cord. The AG261 Surface Mount installs directly to any surface (concrete, grass, wood). Min. 24" whip on the back of fixtures to connect to any Junction box. See Line Art for details.

Reflector Construction: One piece, heavy-gauge aluminum reflector prevents ugly dents during shipping and installation. Deeply mounted singular LED provides 50 degree visual cutoff for a glare-free appearance.

Faceplate: One-piece die cast aluminum open flat faceplate (angled glare shield shown) with a polyester powder coat finish and a clear tempered glass lens and silicone rubber gasket. Secured to fixture by two (2) tamper resistant, stainless steel screws.

Lumen Maintenance: Minimum 50,000 hours L70 life based on ANSI TM-21 calculations from LM80 standardized test results. See ordering guide for delivered lumens.

Thermal Management: Effective thermal dissipation facilitated by integral cast-aluminum, heat sink design for maximum heat rejection to provide long LED life.

Dimming: (-DUN) option is a universal dimming system that works with most 3-Wire ELV, 2-Wire Incandescent and 5-Wire 0-10V fluorescent dimmers. (For 0-10V Dimming, 5-Wire cable to be provided by others).

Electrical: 120V-277V AC 50/60Hz Electronic Direct Current Class 2 driver integrally mounted. Power Factor > 0.90. Accessible from above or below ceiling. For cold weather applications (-22°C and below) use -DUN driver option. Supplied with 3-wire cable, 5-wire 0-10V cabling by others.

Technical: EPA (Sq. Ft.): 0.66 ft². Fixture Weight: 7.0 lbs. EPA (Effective Projected Area) calculations base on a 1.3 factor.

LED: Energy efficient Chip-On-Board (COB) Singular LED Light Source provides for smooth uniform light output, eliminating the multiple shadow effect seen by multiple LED Source products.

Note: Dark Sky compliant when fixture is pointing downward.

Listing: ETL / cETL Listed. Suitable for wet location. Assembled in USA. (IP65).

Faceplate: Available in Open and Visor (as shown).

Finish: A 7-stage electrostatic, polymer process provides a finish that delivers outstanding durability, superior anti-aging, resistance to corrosion and UV-degradation. Available in Black, Silver* and Architectural Bronze*.

Beam Spread: Available in 30°, 15° and 45°.

LED Details:
48W 3000 Lumen Package
Color Rendering Index (CRI): 80
Color Temperature: 3,000K
Lamp Equivalents: 150W Metal Halide Lamp

- Benefit:**
- Up to 83% energy savings
 - L70: 50,000 hours
 - Anti-aging polyester powder coat finish
 - IP65 wet location rated
 - 5-Year Limited Warranty
 - Available with Tree Strap, Ground Spike, Spread Lens

2020.07.30



ORDERING EXAMPLE : AG2610BZUE

AG261	FACEPLATE	FINISH	DIMMING	BEAM SPREAD	LED
AG261	0 :Open**	B :Black	UE :120V/277V	Blank :30°	Blank :4000K
	7 :Visor (as shown)	S :Silver*	UE-DUN:UniDim™ 120V/277V*	-B15 :15°	-T27 :2700K*
		BZ :Architectural Bronze*		-B45 :45°	-T30 :3000K
					-T35 :3500K*
					-T50 :5000K*

* Special Order. Minimum order or extended lead time may apply. Consult factory.
**AG2610B and AG2610BZ discontinued.

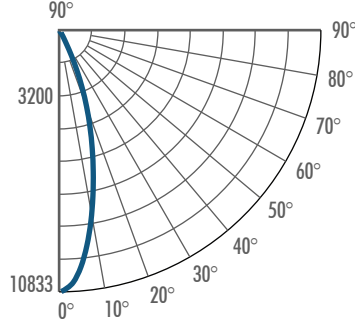
AG261 - PHOTOMETRY

6" 3,000LM FLOOD LIGHT (IP65)

AG2610BUE-DUN - Flood - 4,000K

System Power	:52.3W	Multipliers	
Test Date	:9/2016	3,500K	0.99
Beam Angle 50%	:29.4°	3,000K	0.97
Field Angle 10%	:51.7°	2,700K	0.95
Color Temperature	:4024K		
CRI	:82.4		
R9 Value	:12.9		
Lumens Delivered	:3,321Lm		
CBCP	:10,833cd		
Power Factor	:0.97		

CANDELA TABULATION



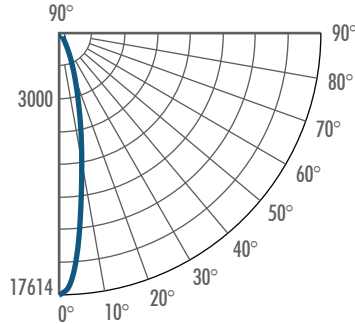
FOOTCANDLE DISTRIBUTION

Height	Beam Diameter	FC
20.0'	10.5'	27.2
30.0'	15.7'	12.1
40.0'	21.0'	6.8
50.0'	26.2'	4.4
60.0'	31.5'	3.0

AG2610BUE-DUN-B15 - Spot - 4,000K

System Power	:52.5W	Multipliers	
Test Date	:9/2016	3,500K	0.99
Beam Angle 50%	:17.8°	3,000K	0.97
Field Angle 10%	:42.3°	2,700K	0.95
Color Temperature	:3990K		
CRI	:82.2		
R9 Value	:12.5		
Lumens Delivered	:2,816Lm		
CBCP	:17,614cd		
Power Factor	:0.97		

CANDELA TABULATION



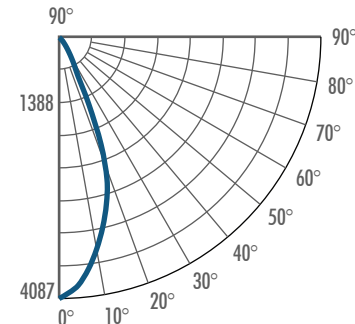
FOOTCANDLE DISTRIBUTION

Height	Beam Diameter	FC
20.0'	6.3'	44.0
30.0'	9.4'	19.6
40.0'	12.5'	11.0
50.0'	15.7'	7.0
60.0'	18.8'	4.9

AG2610BUE-DUN-B45 - Wide - 4,000K

System Power	:52.5W	Multipliers	
Test Date	:10/2016	3,500K	0.99
Beam Angle 50%	:42.2°	3,000K	0.97
Field Angle 10%	:67.6°	2,700K	0.95
Color Temperature	:4050K		
CRI	:82.8		
R9 Value	:14.6		
Lumens Delivered	:2,319Lm		
CBCP	:4,087cd		
Power Factor	:0.97		

CANDELA TABULATION



FOOTCANDLE DISTRIBUTION

Height	Beam Diameter	FC
20.0'	15.4'	10.2
30.0'	23.2'	4.5
40.0'	30.9'	2.6
50.0'	38.6'	1.6
60.0'	46.3'	1.1