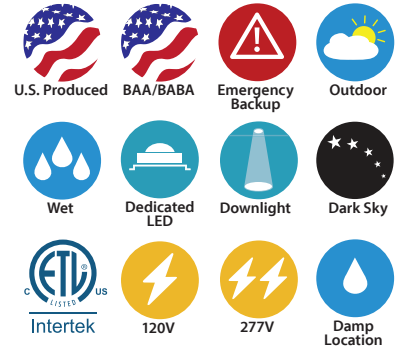
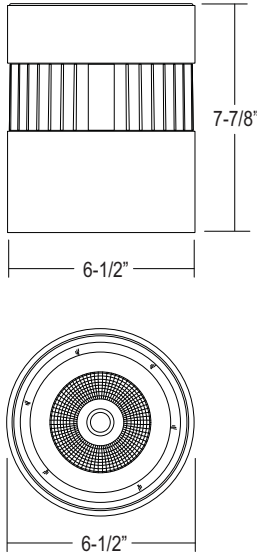


DL260P-USA : 6" ROUND

CEILING DOWNLIGHT (IP65) 1100LM-3000LM (15W-30W)



- **Produced in USA**
- 10W Emergency Battery Option
- Energy efficient, low glare LED Chip-On-Board light engine
- Singular COB Light Source
- 5 year limited warranty
- IP65

ORDERING : DL260P-USAB101-B20UE-D10-T27-C80-EM

DL260P-USA

Fixture	Finish	Lumen	Beam Spread	Control	LED	Emergency Options
	Finish		Beam Spread		LED	Emergency Options
	All Black	B¹	50° Flood	Blank	2700K, 80 CRI	-T27-C80²
	All White	W	20° Spot	-B20	2700K, 90 CRI	-T27-C90
					3000K, 80 CRI	-T30-C80²
					3000K, 90 CRI	-T30-C90
	Lumens		Control		3500K, 80 CRI	-T35-C80²
	1100lm (15W)	101	Non-Dimming (120V)	Blank	3500K, 90 CRI	-T35-C90
	3000lm (30W)	320	0-10V Dimming (120V/277V)	UE-D10	4000K, 80 CRI	-T40-C80²
					4000K, 90 CRI	-T40-C90
						None
						10W Emergency Battery
						Blank
						-EM

¹ Not available for 1100LM.

² Extended lead time may apply for quantities for 100.

COMPATIBLE ITEMS

LPCM
12"-48" Pendant
Accessory for Flat Ceilings



LPTM6
Track Mount for 6"
Lumen Cannon



SPECIFICATION

Application

Architectural-grade surface mount LED downlight housing for medium to high ceilings combines energy efficiency with powerful lumen output. This DL Series covered ceiling mount down light can be used in both interior and outdoor settings. Typical locations are in commercial and retail spaces that require lighting from above. Perfect for atriums, churches, lobbies, and airports that have high ceilings. Dark Sky compliant.

Housing

Constructed from a round one piece high grade aluminum extrusion, die cast aluminum top plate, and faceplate with a powder coat finish. Includes COB LED, reflector, LED driver and a mounting plate. Top plate is secured to housing by threads. Mounting plate is secured to top plate with two (2) flat head phillips stainless steel screws and installs onto an 4" octagonal electrical junction box. Free of burrs and sharp corners and edges.

Mounting:

Universal mounting hardware allows mounting to all standard electrical junction boxes. Optional pendant cable and wall mount assemblies available.

Finish:

Available in All Black¹ and All White.

Certifications and Listings:

ETL/cETL listed to UL1598 and UL8750. Suitable for dry , damp and wet location.
NYC approved: Calendar #41937.
Meets NFPA 70/NEC Code on Listings.

Caution:

LITON recommends use of surge protectors on the power entering LED Housings. Surge damage is not covered by warranty.

Control

(UE-D10) 0-10V dimming works with most 5-wire, 0-10V dimmers. Factory qualified for use with Leviton IP710-DLZ.

Warranty

Covered by a 5 Year Warranty to be free of defects in materials and craftsmanship. Fixture should not be installed in applications with ambient temperature above

Beam Options

Available in 50° Flood and 20° Spot

SPECIFICATION (Continued)

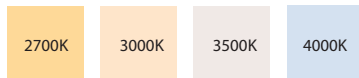
LED

COB (Chip on Board) singular LED light source provides for smooth, uniform light output, eliminating the imaging produced by multiple LED source optics.

Lumen Maintenance: Lumen Maintenance is a minimum 50,000 hours L70 life based on ANSI TM-21 calculations from LM80 standardized test results.

Lumen Options (Nominal): 1100lm (15W)
3000lm (30W)

Color Temperature: Binned with 4-step MacAdam ellipses as per ANSI Standard recommendation.



COLOR TEMP: 2700K 3000K 3500K 4000K
CRI: 80, 90 80, 90 80, 90 80, 90

Thermal Management

Heat dissipation facilitated by exposed integral aluminum black heat sink to maximize heat rejection in an open air environment. Recommended ambient temperature is below 35 degree celsius to achieve minimum L70 life of 50,000 hours according to LM80 standard.

Electrical

AC 50/60Hz Electronic Direct Current Class 2 driver integrally mounted. Power Factor shall be >90% at full load with THD <20% at full load. Electrical Output shall be isolated.

Minimum Operating Temperature:
Standard: -10°C/14°F

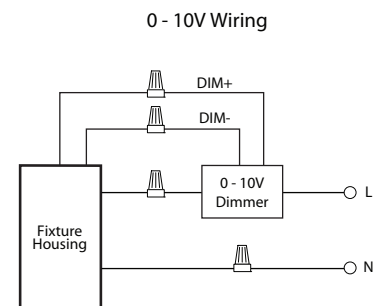
Emergency Options

Emergency LED Battery Back-up available, remotely mounted adjacent to to housing by installer. When AC power fails, the device immediately switches to the emergency mode, operating the LEDs for a minimum of 90 minutes. Remote test switch, plate cover and junction box included.

Dimming Options

0-10V Driver 120V/277V (UE-D10):

Compatible with most existing 0-10V systems. Also known as fluorescent or 5-Wire dimming. Allows smooth dimming down to 5% depending upon the dimmer's limitations. Compatible with daylight harvesting controls.



SPECIFICATION (Continued)

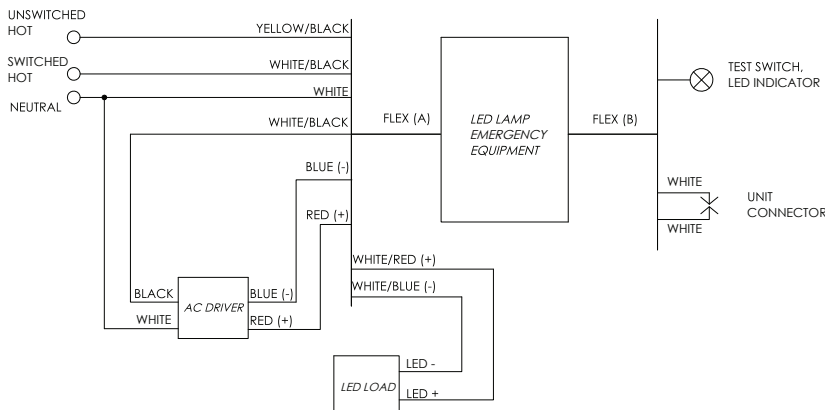
EMERGENCY BATTERY (-EM): 10W

- Must be installed in Dry Locations
- 10W constant output to LED lamp

Not rated for outdoor mounting. Damp location rated.

-EM Lumen Data (Battery)

Fixture/Trim	DL260P-USAB101	Fixture/Trim	DL260P-USAB320
Fixture Wattage:	15W	Fixture Wattage:	30W
Fixture Lumens:	1100	Fixture Lumens:	3000
Multiplier:	0.67	Multiplier:	0.33
EM Lumens:	740	EM Lumens:	990



Input Voltage:	120-277VAC/60Hz
Output Voltage:	10W
Wattage:	10W
Switching Time:	<1s
Charging Time:	24h
Operating Time:	90 minutes
Minimum Temperature:	0°C
Maximum Temperature:	50°C
Self-Diagnostic:	No