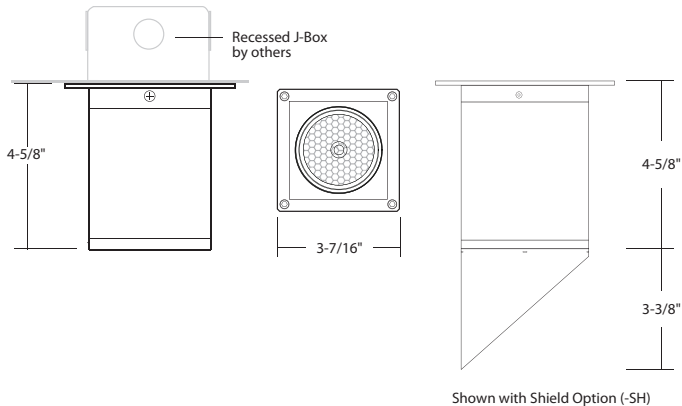


DLQ340 : 4" SQUARE

CEILING DOWNLIGHT (IP65) AMBER (TURTLE SAFE) 200LM (12W)



- True Amber Narrow Wavelength 590nm LED
- Integral Surface J-Box Option
- Emergency back up available
- 5-Year Limited Warranty
- IK08 Rated

ORDERING : DLQ340B-UE-DUN-TAM-LVR-EMAC-JB

Finish	Control	LED	Emergency Options	Options
White	DLQ340W	Non-Dimming (120V)	Blank	None
Silver	DLQ340S	UniDim™ 0-10V, TRIAC/ELV Dimming (120V/277V)	UE-DUN	Cold Weather -CW³
Bronze	DLQ340BZ	Casambi Wireless Dimming (120V/277V)	-DCSM^{1,4}	Surge Protector -SRG
Black	DLQ340B	BubblyNet Wireless System (120V/277V)	-DBNT^{1,4}	Daylight Sensor (120V) -SDL
Light Silver	DLQ340LS²	SimplySnap Wireless System (120V/277V)	-DSYN¹	Integral Junction Box -JB
Dark Grey	DLQ340DG²			Glare Shield -SH
Metallic Gold	DLQ340MG²			Marine Grade Finish -MGD²
Metallic Black	DLQ340MB²			
			Emergency Options	
			None	Blank
			Remote Emergency Inverter	-EMAC
			Emergency in Canopy for Surface Mounted Fixture	-EMA
			Emergency in Canopy for Pendant Mounted Fixture	-EMA/PM

¹ Special order. Minimum Order, Extended lead time may apply. Consult Factory.
² Special Order Finish. Minimum order quantity (MOQ) applies. Orders less than MOQ are subject to a special paint set-up fee for the quantity ordered. Extended lead times may apply. Consult Factory.
³ Starting Temperature -40°C/-40°F. Only available with (UE-DUN) control option.
⁴ Special Order. Sent with surface mount JBOX to allow for direct-conduit entry.

Custom RAL Color: Please note that we appreciate custom finishes. Custom finishes are subject to a special paint setup fee for the quantity ordered. Extended lead times may apply. Consult Factory.

SPECIFICATION

Application

This DL series covered ceiling mount downlight can be used for surface ceiling or pendant mount in both interior and outdoor settings. Typical locations are in commercial and retail spaces that require lighting from above. Dark sky compliant.

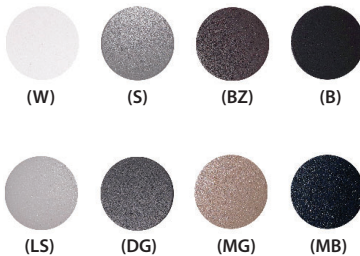
Housing

Housing is constructed of one piece high grade aluminum extrusion (Alloy 6061<.04% Cu). Faceplate (with tempered glass lens) and top cap are of a robust die cast aluminum alloy and seal the housing top and bottom. Faceplate has a silicone o-ring to seal the flush lens and threads into housing. A U-bracket installs onto an electrical junction box and secures into the top cap with two (2) flat head countersunk phillips head stainless steel screws.

Mounting:

The 6" high x 4-1/2" wide rectangular mounting plate with U-bracket installs onto a 4" octagonal electrical junction box. For other junction box sizes see installation instructions.

Finish:



A 7-stage electrostatic, polymer process provides an outdoor textured powder coat finish that delivers outstanding durability, superior anti-aging, resistance to corrosion and UV-degradation. Consult factory for Custom Color. (More Information)

Standard Finishes:

White: RAL 9003 (W)
 Silver: RAL 7037 (S)
 Bronze: RAL 8019 (BZ)
 Black: RAL 9005 (B)

Special Order Finishes:

Light Silver: RAL 7036 (LS)
 Dark Gray: RAL 7015 (DG)
 Metallic Gold: RAL 1001 (MG)
 Metallic Black: RAL 7021 (MB)

Marine Grade:

The fixture features a marine-grade textured powder coat finish engineered to withstand extreme environmental conditions, including prolonged exposure to UV radiation, salt air, and moisture, which are prevalent in coastal and high-humidity environments.

A multi-stage surface preparation, finishing, and curing process ensures maximum adhesion, durability, and corrosion resistance. The coating system undergoes rigorous salt spray (ASTM B117) testing, overbake resistance verification, and pencil hardness testing to validate its robustness against degradation.

The marine-grade powder coat is applied as a 30–50 µm bottom layer, providing a strong anti-corrosion foundation. This is further enhanced by a surface coat using a standard architectural-grade powder application with a total thickness of 80–120 µm, ensuring superior resistance to wear, impact, and environmental stressors.

Certifications and Listings:



ETL / cETL Listed to UL1598 and UL8750 standards.

Suitable wet locations. (IP65).

Assembled in USA.

IK08 rated for impact resistance.

Certified by the Florida Fish and Wildlife Conservation Commission.

SPECIFICATION (Continued)

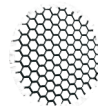
Caution: LITON recommends use of surge protectors on the power entering LED Housings. Surge damage is not covered by warranty. (See option SRG)

Warranty

Covered by a 5-Year Warranty to be free of defects in materials and craftsmanship. Fixture should not be installed in applications with ambient temperature above 50°C/122°F. Doing so will result in reduced lamp life and voided warranty.

Optics

Multifaceted aluminum reflector produces low glare illumination. Additional beam control provides cutoff of illumination above 45°, 3 mm / .125" (size of the cells) - matte black finish.



45° cutoff louver included with optic.

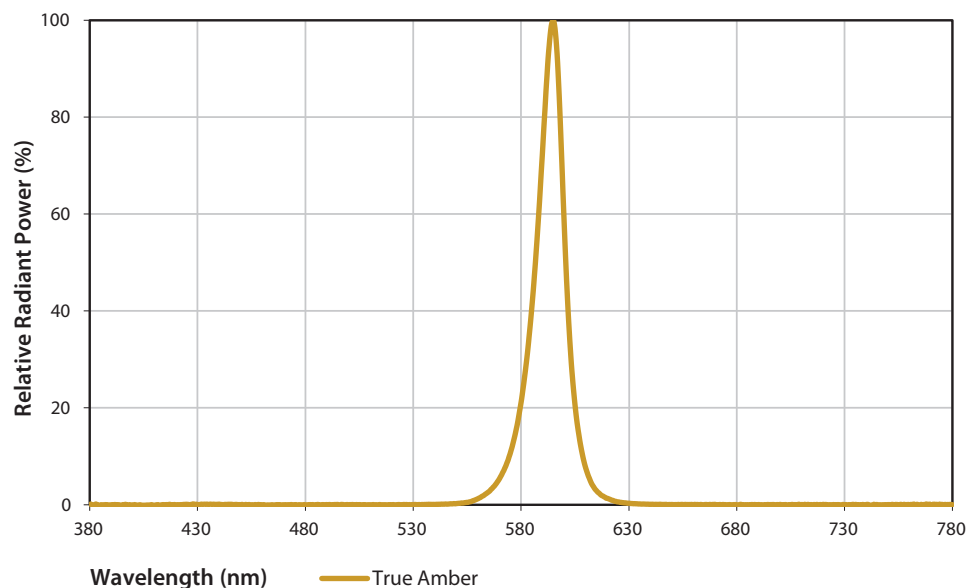
LED

LED light source provides for smooth, uniform light output, eliminating the imaging produced by multiple LED source optics.

Lumen Maintenance: Lumen Maintenance is a minimum 50,000 hours L70 life based on ANSI TM-21 calculations from LM80 standardized test results.

Lumen Options (Nominal): 250lm (22W)

Color Temperature: Binned with 4-step MacAdam ellipses as per ANSI Standard recommendation.

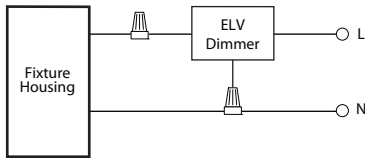


True Amber - Narrow Band LEDs centered at 590nm with no spectral content below 560nm are supplied.

SPECIFICATION (Continued)

Control Options

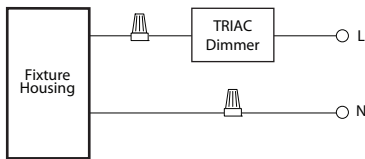
Incandescent/Phase Wiring
ELV



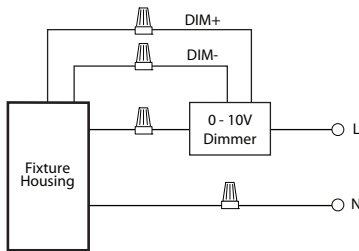
UniDim™ Driver 120V/277V (UE-DUN):

All in one ELV and TRIAC phase dimming (120V only), and 0-10V dimming (120V/277V). Works with most 3-Wire ELV, 2-Wire incandescent and 120V/277V 5-Wire 0-10V fluorescent dimmers.

TRIAC



0 - 10V Wiring



Electrical

LED Driver: AC 50/60Hz Electronic Direct Current Class 2 driver integrally mounted.
Power Factor > 0.90. See Dimming Section for voltage and wiring.

Minimum Operating Temperature:
Standard: -10°C/14°F
Cold Weather Option: (-CW) -40°C/-40°F

Emergency Options

Emergency LED Battery Back-up available, remotely mounted adjacently by the installer. When AC power fails, the device immediately switches to the emergency mode, operating the LEDs for a minimum of 90 minutes. Remote test switch and plate cover included. Optional Generator Transfer Device switches the driver to auxiliary generator power during the loss of normal AC power, (recommended for applications requiring individual circuit switching).

SPECIFICATION (Continued)

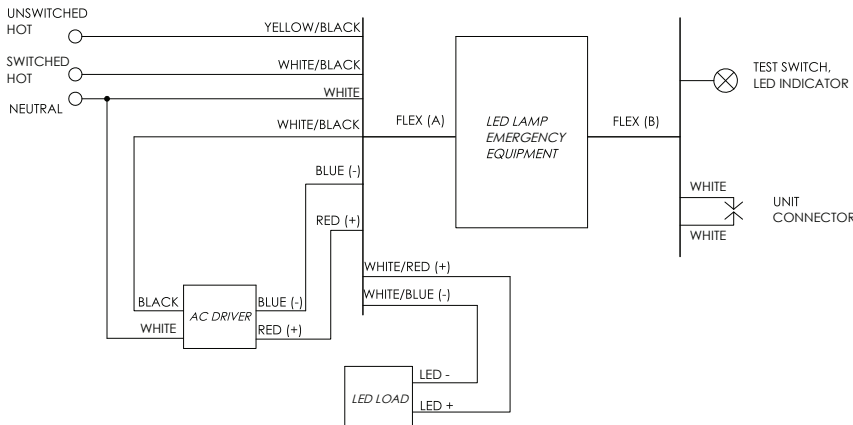
EMERGENCY BATTERY (-EM): 10W

- Must be installed in Dry Locations
- 10W constant output to LED lamp

Not rated for outdoor mounting. Damp location rated.

-EM Lumen Data (Battery)

Fixture/Trim	DL340*-TAM-LVR
Fixture Wattage:	14W
Fixture Lumens:	250
Multiplier:	0.70
EM Lumens:	175



Input Voltage:	120-277VAC/60Hz
Output Voltage:	10W
Wattage:	10W
Switching Time:	<1s
Charging Time:	24h
Operating Time:	90 minutes
Minimum Temperature:	0°C
Maximum Temperature:	50°C
Self-Diagnostic:	No

FULL POWER EMERGENCY INVERTER (-EMAC): 15W Emergency Battery

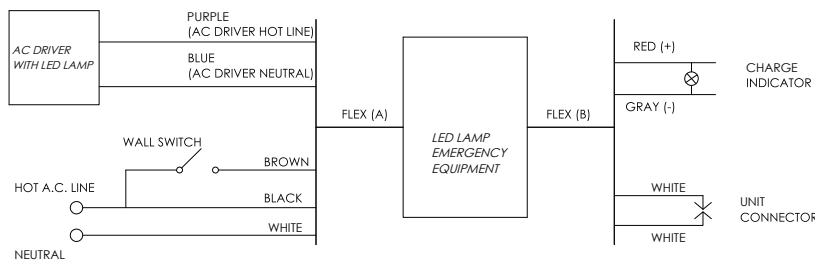
- Must be installed in Dry Locations
- Wattage package will determine battery sent; corresponding wiring diagrams below
- 170 VDC output to AC DRIVER during EM mode

Not rated for outdoor mounting. Damp location rated.

-EMAC Lumen Data (Battery)

Fixture/Trim	DL340*-TAM-LVR
Fixture Wattage:	14W
Fixture Lumens:	250
EM Lumens:	250

<18W LOAD

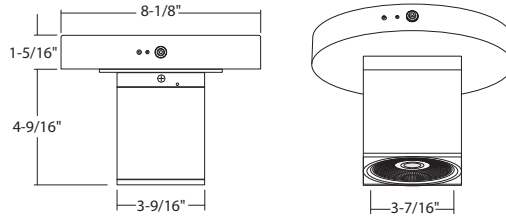


Input Voltage:	120-277VAC/60Hz
Output Voltage:	170VDC (120VAC Equivalent)
Wattage:	25W
Switching Time:	<1s
Charging Time:	24h
Operating Time:	90 minutes
Minimum Temperature:	0°C
Maximum Temperature:	50°C
Self-Diagnostic:	No

SPECIFICATION (Continued)

Emergency Backpack (-EMA):

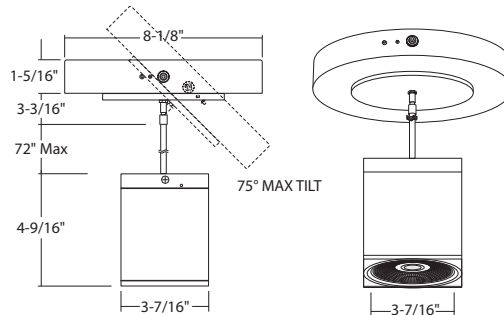
- The Emergency Backpack (-EMA) is 8" round, ceiling mount canopy, including EM components (recessed J-Box by others), a test switch and is field installed to the rear of the luminaire.
- Wet location rated
- Covered Ceiling Mount
- 1500lm max.
- For non-emergency fixtures requiring visual continuity use -EMA-Blank.



Voltage:	120-277VAC/60Hz
Wattage:	14W
Switching Time:	<1s
Charging Time:	24h
Operating Time:	90 minutes
Minimum Temperature:	-20°C
Maximum Temperature:	45°C
Maximum Lumens:	250lm

Emergency Backpack (-EMA/PM):

- The Emergency Backpack for Pendant Mounting (-EMA/PM) is 8" round ceiling mount canopy including EM components (recessed J-Box by others), a test switch, and is field installed with pendant stem as specified to length to attach to the rear of the luminaire.
- Wet location rated
- Covered Ceiling Mount
- 1500lm max.
- For non-emergency fixtures requiring visual continuity use -EMA/PM-Blank.



-EMA/PM with LPCMDL4

Voltage:	120-277VAC/60Hz
Wattage:	14W
Switching Time:	<1s
Charging Time:	24h
Operating Time:	90 minutes
Minimum Temperature:	-20°C
Maximum Temperature:	45°C
Maximum Lumens:	250lm

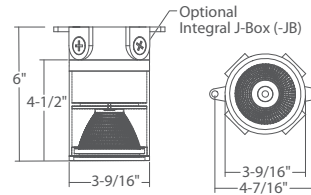
- For use only with pendant mounting kits: LPCMDL4, LPCMJDL4, LPCMCDL4 and LPCMCJDL4.

SPECIFICATION (Continued)

Additional Options

Optional J-Box (Direct Conduit Entry):

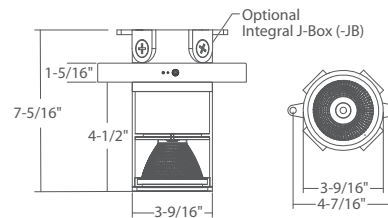
- The Integral Surface Mount Junction Box option (-JB) is a round J-Box pre-mounted to the rear of the luminaire to allow for direct conduit entry.
- For use with mounting locations without a recessed junction box.
- Factory installed outlet box with five (5) 1/2 NPSM trade conduit holes and plugs (1 top, 4 sides) for 1/2 in. trade conduit and wire entry.



Configure as:

-JB: (5) conduit entry from left or right looking at fixture.

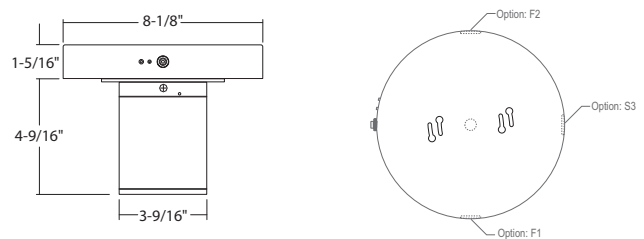
- The Emergency Backpack with a surface mount junction box (-EMA-JB) is a 8" ceiling mount canopy including EM components, Surface J-Box, a test switch and is field installed to the rear of the luminaire to allow for direct conduit entry.
- Wet Location Rated.
- Covered Ceiling Mount.
- 1500lm max.
- For Non-Emergency Fixtures requiring visual continuity use -EMA-Blank.



Configure as:

-EMA-JB

- The Emergency Backpack with 1/2" conduit openings (-EMA-JB-XX) is a 8" ceiling mount canopy including EM components, a test switch and is field installed to the rear of the luminaire with 1/2" trade conduit openings in the body of the ceiling mount canopy to allow for direct conduit entry.
- Wet Location Rated.
- Covered Ceiling Mount.
- 1500lm max.
- For Non-Emergency Fixtures requiring visual continuity use -EMA-Blank.



Configure as:

-EMA-JB-XX

Option:	Ø 7/8" Conduit Hole
F1	At any Direction
F1 - F2	Straight Connection
F1 - S3	L Connection
S3	T Connection

Photocell (/SDL):



Sensor enables automatic on/off operation based on ambient light levels, providing dusk-to-dawn functionality.

Power Consumption: .5W

Voltage: 120V, 277V

On/Off Levels: On @ 0-2fc / Off @ 2fc or more

Warranty: 2- Year / 5,000 Cycles

Sensor Size: 3/8"

Rating: UL/cUL

SPECIFICATION (Continued)

Surge Suppressor (/SRG):



Protects driver against surges in line voltage/current (20KV, 1.2/50µS & 10KA, 8/20µS).

Provides a positive indication of end-of-life by opening voltage to the load.

Surge suppressor is a perishable device requiring periodic replacement.

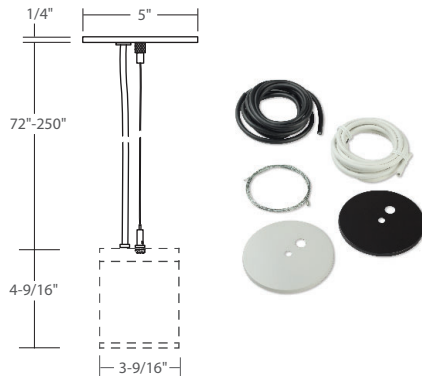
Not a warranted item.

* Sent separately.

Number of Fixtures Wired in Series per Surge Protector			
Luminaire	Wattage Range (depends on lumen packages)	@120VAC Max. Load = 450W	@120VAC Max. Load = 1000W
DL340/DLQ340/DL340J	10W - 15W	30 - 45	65 - 100
DL360/DLQ360/DL360J	10W - 30W	15 - 45	30 - 100

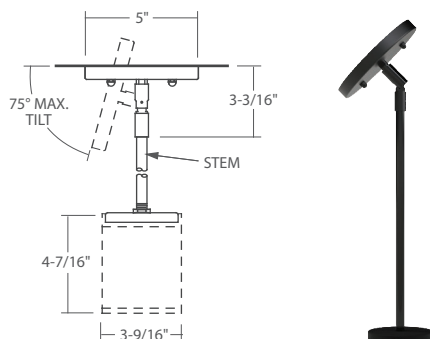
Cable Mounting:

See spec sheet [LPCMCDL](#) for details and configuration.



Pendant Mounting:

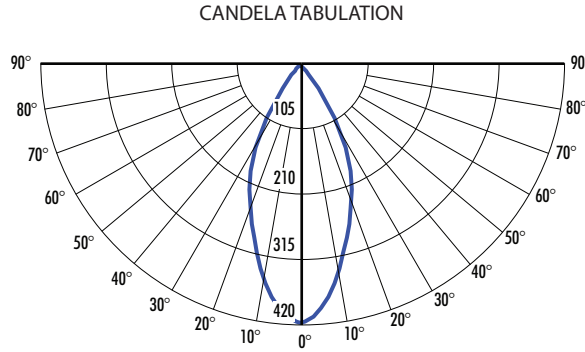
See spec sheet [LPCMDL4](#) for details and configuration



PHOTOMETRY

DLQ340B-TAM-LVR (250lm, 14W)

System Power: 14W
 Test Date: 09/2025
 Beam Angle 50%: 46.9°
 Field Angle 10%: 77.1°
 Color Temperature: 1470K
 Lumens Delivered: 281
 CBCP: 420
 Power Factor: 0.99



FOOTCANDLE DISTRIBUTION

Height	Beam Diameter	FC
6.0'	5.18'	11.67
8.0'	6.91'	6.56
10.0'	8.63'	4.20
12.0'	10.36'	2.92
14.0'	12.09'	1.42
16.0'	13.81'	1.64

2025.09.16

