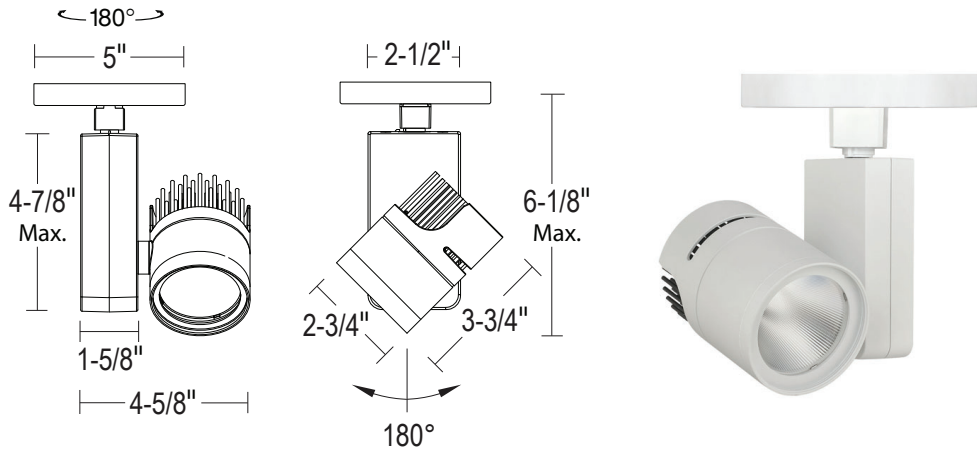


LCD7415: APOLLO 15 CANOPY MOUNT LED TRACK HEAD 1500LM (21W)



- Fully die-cast for high quality, long-lasting beauty
- 3 beam spread options for fine tuning footcandle distribution
- Powerful 1500 lumen output lights objects and spaces near and far
- MR16 75W performance in a long life, cool running LED track head
- Available with Tool-less field changeable optics
- 0-10V, ELV or 3-Wire Dimming options

ORDERING : LCD7415B-B15UE-DUN-DLV-T27-C90

LCD7415

Fixture	Finish	Beam Spread	Control	Color Temperature	Option
Finish	Beam Spread	Control	Color Temperature		
All Black B	Spot -B15	Non-Dimming (120V) Blank	2700K (90 CRI) -T27-C90		
Bright White/Black Heat Sink W	Narrow Flood -B25	UniDim™ 0-10V, TRIAC/ELV Dimming (120V/277V) UE-DUN	3000K (90 CRI) -T30-C90		
	Flood -B45	Athena Wireless Node (120V) -AWN	3500K (90 CRI) -T35-C90		
		UniSense - Remotely Mounted Motion/Photosensor (120V) -SUN-RMT²	4000K (90 CRI) -T40-C90		
		UniSense - Remotely Mounted Motion/Photosensor (120V/277V) -SUN-RMT-1227²	6500K (80 CRI) -T65		
		Casambi Wireless Dimming (120V/277V) -DCSM¹	1850K-2700K -TWD		
		BubblyNet Wireless System (120V/277V) -DBNT¹	Warm Dimming		
			Option		
			None Blank		
			MR16 Hex Louver -LVR¹		

2025.09.26

¹ Special Order
² Must be ordered with compatible Input Voltage Dimming Option.
 Available with 0-10V and DMX Dimming. Consult Factory.
 Available with 277V input & Multi-Circuit Track. Consult Factory.

SPECIFICATION

Application

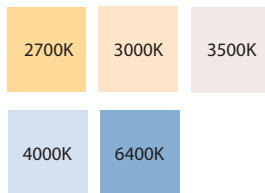
High Output architecturally-styled APOLLO LED Trackhead is perfect for applications where powerful lumen output is required. Fully die-cast with integrated heatsink, hardware and wiring for a sleek unobtrusive appearance. APOLLO combines long-lasting beauty and energy efficiency with intense lumen output. Excels at delivering maximum footcandles to objects, spaces and features from longer distances. Ideal for Retail and Commercial applications.

Mounting

Fixture includes a mounting bracket for installation directly to a 4" octagonal electrical junction-box.

Optics

Color Temperature:



Available in 2700K, 3000K, 3500K, 4000K, 6500K and 1850K-2700K Warm Dim.
LEDs binned to within 3-Step MacAdam Ellipses (SDCM) and surpasses the ANSI C78 377A standard for color deviation.

Warm Dimming:

With this new technology, you can create the warm glow of traditional incandescent dimming while offering extraordinary energy efficiency and service life of LED Lighting. Allow for fixture start at a full 3050K when at full-brightness and smoothly dim down to 5% level with the warm glow of 1850K using dimming option the frame-in kit.

Beam Spread:

Multifaceted glare reducing anodized reflector held in place with die-cast aluminum holder. Available in Flood, Narrow Flood and Spot. Optical reflectors can be ordered separately. Use part #: RL-AP15-FL, RL-AP15-NF, RL-AP15-SP.

Lumen Maintenance:

Minimum 50,000 hours L70 life based on ANSI TM-21 calculations from LM80 standardized test results.

SPECIFICATION (Continued)

Thermal Management

Effective thermal dissipation facilitated by integral aluminum heat sink for maximum heat rejection to provide long LED life.

Driver

Electronic Constant Current driver integrally mounted in fixture casing.

Control

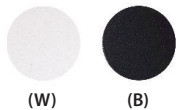
All in one ELV and TRIAC phase dimming (120V only), and 0-10V dimming (120V/277V). Works with most 3-Wire ELV, 2-Wire incandescent and 120V/277V 5-Wire 0-10V fluorescent dimmers.

CASAMBI WIRELESS FIXTURE DIMMING CONTROL (-DCSM)

- Wireless technology with (BLE) Bluetooth Low Energy
- Mesh network connectivity and control
- Signal can be boosted by enabling openings near the module. Consult Factory.



Finish



Available in All Black (B), and Bright White/Black Heat Sink(W).

Safety Labels

ETL/cETL listed.

Caution

Fixtures must be grounded in accordance with national, state and/or local electrical codes. Failure to do so may result in serious personal injury.

Warranty

Covered by a 5-Year Warranty to be free of defects in materials and craftsmanship. Recommended for applications where ambient temperatures do not exceed 35°C (95°F), installations exceeding this temperature will result in reduced LED lamp life and a voided warranty.

SPECIFICATION (Continued)

Unisense[™] PROGRAMMABLE MOTION + DAYLIGHT (-SUN-RMT, -SUN-RMT-1227)

- Microwave and PIR (Passive Infrared) sensors depending on option
- Daylight harvesting
- Dusk/dawn sensing capabilities
- Motion Sensor

