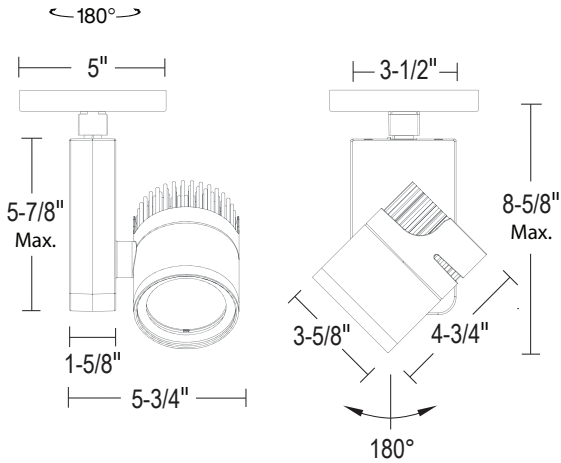


## LCD7430 : APOLLO 30 CANOPY MOUNT LED TRACK HEAD 2900LM (32W)



- Fully die-cast for high quality, long-lasting beauty
- 3 beam spread options for fine tuning footcandle distribution
- Powerful 2900 lumen output lights objects and spaces near and far
- MR16 75W performance in a long life, cool running LED track head
- Available with Tool-less field changeable optics
- 0-10V, ELV or 3-Wire Dimming options

### ORDERING : LCD7430B-B15UE-DUN-T27-C90

#### LCD7430

Fixture	Finish	Beam Spread	Control	Color Temperature	Option
---------	--------	-------------	---------	-------------------	--------

Finish		Beam Spread		Control		Color Temperature	
All Black	<b>B</b>	Spot	<b>-B15</b>	Non-Dimming (120V)	<b>Blank</b>	2700K (90 CRI)	<b>-T27-C90</b>
Bright White/Black Heat Sink	<b>W</b>	Narrow Flood	<b>-B25</b>	UniDim™ 0-10V, TRIAC/ELV Dimming (120V/277V)	<b>UE-DUN</b>	3000K (90 CRI)	<b>-T30-C90</b>
		Flood	<b>-B45</b>	Athena Wireless Node (120V)	<b>-AWN</b>	3500K (90 CRI)	<b>-T35-C90</b>
				UniSense - Remotely Mounted Motion/Photosensor (120V)	<b>-SUN-RMT<sup>2</sup></b>	4000K (90 CRI)	<b>-T40-C90</b>
				UniSense - Remotely Mounted Motion/Photosensor (120V/277V)	<b>-SUN-RMT-1227<sup>2</sup></b>	1850K-2700K	<b>-TWD</b>
				Casambi Wireless Dimming (120V/277V)	<b>-DCSM<sup>1</sup></b>	Warm Dimming	
				BubblyNet Wireless System (120V/277V)	<b>-DBNT<sup>1</sup></b>		
						Option	
						None	<b>Blank</b>
						MR16 Hex Louver	<b>-LVR<sup>1</sup></b>

2025.09.26

<sup>1</sup>Special Order

<sup>2</sup> Must be ordered with compatible Input Voltage Dimming Option.

Available with 277V input & Multi-Circuit Track. Consult Factory.

## SPECIFICATION

### Application

---

High Output architecturally-styled APOLLO LED Track Head is perfect for applications where powerful lumen output is required. Fully die-cast with integrated heatsink, hardware and wiring for a sleek unobtrusive appearance. APOLLO combines long-lasting beauty and energy efficiency with intense lumen output. Excels at delivering maximum footcandles to objects, spaces and features from longer distances. Ideal for Retail and Commercial applications.

### Mounting

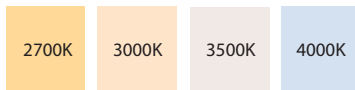
---

Fixture includes a mounting bracket for installation directly to a 4" octagonal electrical junction-box.

### Optics

---

Color Temperature:



Available in 2700K, 3000K, 3500K, 4000K and 1850K-2700K Warm Dim.

LEDs binned to within 3-Step MacAdam Ellipses (SDCM) and surpasses the ANSI C78 377A standard for color deviation.

Warm Dimming:

With this new technology, you can create the warm glow of traditional incandescent dimming while offering extraordinary energy efficiency and service life of LED Lighting. Allow for fixture start at a full 3050K when at full-brightness and smoothly dim down to 5% level with the warm glow of 1850K using dimming option the frame-in kit.

Beam Spread:

Multifaceted glare reducing anodized reflector held in place with die-cast aluminum holder. Available in Flood, Narrow Flood and Spot. Optical reflectors can be ordered separately. Use part #: RL-AP30-FL, RL-AP30-NF, RL-AP30-SP.

Lumen Maintenance:

Minimum 50,000 hours L70 life based on ANSI TM-21 calculations from LM80 standardized test results.

## SPECIFICATION (Continued)

### Thermal Management

---

Effective thermal dissipation facilitated by integral aluminum heat sink for maximum heat rejection to provide long LED life.

### Driver

---

Electronic Constant Current driver integrally mounted in fixture casing.

### Control

---

All in one ELV and TRIAC phase dimming (120V only), and 0-10V dimming (120V/277V). Works with most 3-Wire ELV, 2-Wire incandescent and 120V/277V 5-Wire 0-10V fluorescent dimmers.

### CASAMBI WIRELESS FIXTURE DIMMING CONTROL (-DCSM)

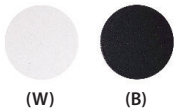
---

- Wireless technology with (BLE) Bluetooth Low Energy
- Mesh network connectivity and control
- Signal can be boosted by enabling openings near the module. Consult Factory.



### Finish

---



Available in All Black (B), and Bright White/Black Heat Sink(W).

### Safety Labels

---

ETL/cETL listed.

### Caution

---

Fixtures must be grounded in accordance with national, state and/or local electrical codes. Failure to do so may result in serious personal injury.

### Warranty

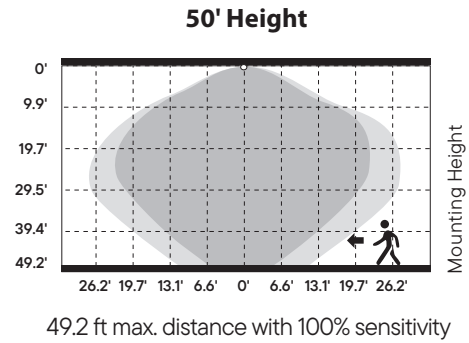
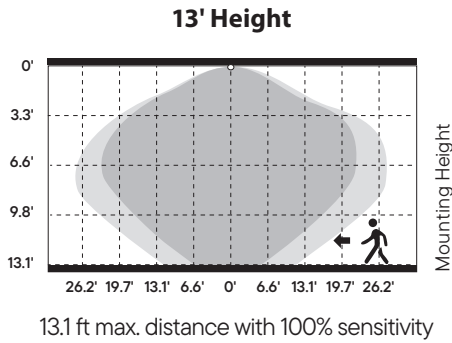
---

Covered by a 5-Year Warranty to be free of defects in materials and craftsmanship. Recommended for applications where ambient temperatures do not exceed 35°C (95°F), installations exceeding this temperature will result in reduced LED lamp life and a voided warranty.

SPECIFICATION (Continued)

**Unisense**<sup>™</sup> PROGRAMMABLE MOTION + DAYLIGHT (-SUN-RMT, -SUN-RMT-1227)

- Microwave and PIR (Passive Infrared) sensors depending on option
- Daylight harvesting
- Dusk/dawn sensing capabilities
- Motion Sensor



Well Detected Area
  Possibly Detected Area
 
 1.6-3.3 ft/s