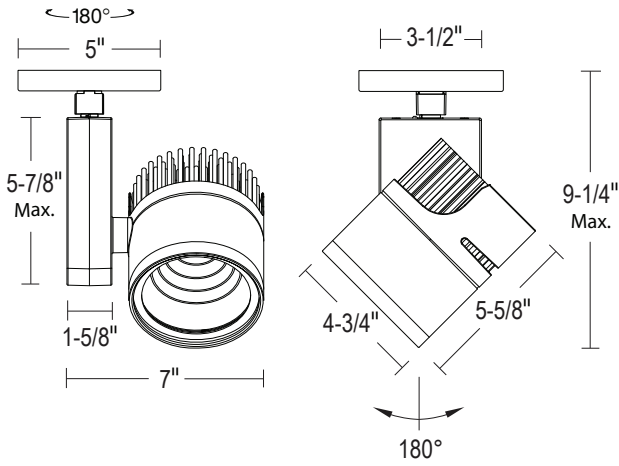


LCD7445 : APOLLO 50 CANOPY MOUNT LED TRACK HEAD 4500LM (48W)



- Fully die-cast for high quality, long-lasting beauty
- 4 beam spread options for fine tuning footcandle distribution
- Powerful 4500 lumen output lights objects and spaces near and far
- T4 & T6 performance in a long life, cool running LED track head
- 0-10V, ELV or 3-Wire Dimming options

ORDERING : LCD7445B-B15UE-DUN-T27-C90

LCD7445

Fixture	Finish	Beam Spread	Control	Color Temperature	Accessories
	Finish	Beam Spread	Control	Color Temperature	Option
All Black	B	Spot	Non-Dimming (120V)	Blank	2700K (90 CRI) -T27-C90
Bright White/ Black Heat Sink	W	Narrow Flood	UniDim™ 0-10V, TRIAC/ELV Dimming (120V/277V)	UE-DUN	3000K (90 CRI) -T30-C90
		Flood	DMX Dimming with input via LED driver (shared input/output ports) (120V/277V)	UE-DMX	3500K (90 CRI) -T35-C90
		Extra Wide Flood	Athena Wireless Node (120V)	-AWN	4000K (90 CRI) -T40-C90
			UniSense - Remotely Mounted Motion/Photosensor (120V)	-SUN-RMT²	None Blank
			UniSense - Remotely Mounted Motion/Photosensor (120V/277V)	-SUN-RMT-1227²	MR16 Hex Louver -LVR¹
			Casambi Wireless Dimming (120V/277V)	-DCSM¹	
			BubblyNet Wireless System (120V/277V)	-DBNT¹	

2025.09.26

¹Special Order

² Must be ordered with compatible Input Voltage Dimming Option.

Available with 277V input & Multi-Circuit Track. Consult Factory.

SPECIFICATION

Application

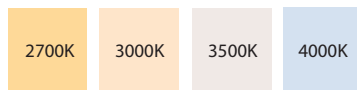
High Output architecturally-styled APOLLO LED Trackhead is perfect for applications where powerful lumen output is required. Fully die-cast with integrated heatsink, hardware and wiring for a sleek unobtrusive appearance. APOLLO combines long-lasting beauty and energy efficiency with intense lumen output. Excels at delivering maximum footcandles to objects, spaces and features from longer distances. Ideal for Retail and Commercial applications.

Mounting

Fixture includes a mounting bracket for installation directly to a 4" octagonal electrical junction-box.

Optics

Color Temperature:



Available in 2700K, 3000K, 3500K and 4000K. LEDs binned to within 3-Step MacAdam Ellipses (SDCM) and surpasses the ANSI C78 377A standard for color deviation.

Beam Spread:

Available in Flood, Narrow Flood, Extra Wide Flood and Spot.

Lumen Maintenance:

Minimum 50,000 hours L70 life based on ANSI TM-21 calculations from LM80 standardized test results.

SPECIFICATION (Continued)

Thermal Management

Effective thermal dissipation facilitated by integral aluminum heat sink for maximum heat rejection to provide long LED life.

Driver

Electronic Constant Current driver integrally mounted in fixture casing.

Control

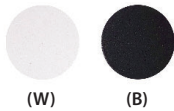
UE-DUN all in one ELV and TRIAC phase dimming (120V only), and 0-10V dimming (120V/277V). Works with most 3-Wire ELV, 2-Wire incandescent and 120V/277V 5-Wire 0-10V fluorescent dimmers.

CASAMBI WIRELESS FIXTURE DIMMING CONTROL (-DCSM)

- Wireless technology with (BLE) Bluetooth Low Energy
- Mesh network connectivity and control
- Signal can be boosted by enabling openings near the module. Consult Factory.



Finish



Available in All Black (B), and Bright White/Black Heat Sink(W).

Safety Labels

ETL/cETL listed.

Caution

Fixtures must be grounded in accordance with national, state and/or local electrical codes. Failure to do so may result in serious personal injury.

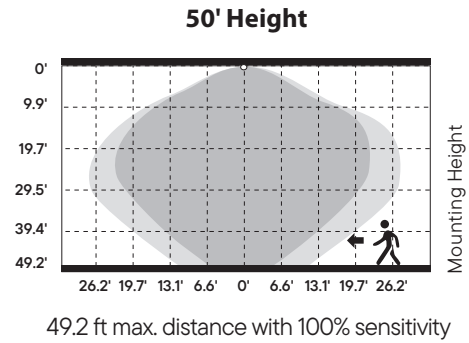
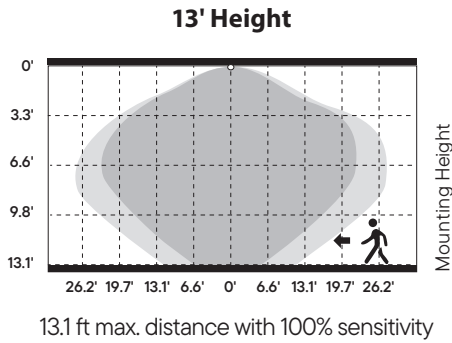
Warranty

Covered by a 5-Year Warranty to be free of defects in materials and craftsmanship. Recommended for applications where ambient temperatures do not exceed 35°C (95°F), installations exceeding this temperature will result in reduced LED lamp life and a voided warranty.

SPECIFICATION (Continued)

Unisense[™] PROGRAMMABLE MOTION + DAYLIGHT (-SUN-RMT, -SUN-RMT-1227)

- Microwave and PIR (Passive Infrared) sensors depending on option
- Daylight harvesting
- Dusk/dawn sensing capabilities
- Motion Sensor



Well Detected Area
 Possibly Detected Area

 1.6-3.3 ft/s