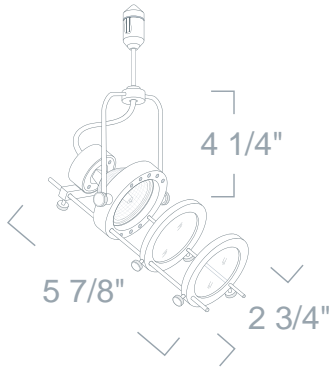


## LFC499S - TECHNO GOBO

### FLEXICURVE™ DIRECTIONAL HEADS



#### FEATURE(S):



#### SPECIFICATION

12V 75W MR16 GU5.3

**Application:** Made of solid die-cast construction, these fixtures perfectly blend into contemporary surroundings to provide that high-tech sophisticated look. These sleek adjustable directional FlexiCurve heads are perfect for spot lighting, accenting and highlighting objects in the room. Utilizing popular reflectored halogen MR16 lamps, they project precise sharp beams with a warm brilliant light. They can accept color lenses and optical filters to ensure the user obtains the desired effect.

**Connector:** Comes standard with satin gray Flexicurve Rail connector.

**Socket:** High Quality porcelain bi-pin socket with high temperature leads.

**Adjustability** Lamp can be tilted 90° degrees vertically and rotated 358° degrees horizontally.

**Gobo Accessories:** Available in , Custom Gobo, Duplicate Gobo and Magnifier.

**Label:** cETL Listed

#### COMPATIBILITY



LTP

RAIL

Note: Wattage limitations on compatible items must be met.

#### ORDERING

ORDERING EXAMPLE : LFC499S

LFC499S	GOBO ACCESSORIES
LFC499S	Blank :None
	/LTLGBO :Custom Gobo
	/LTLGBO2 :Duplicate Gobo
	/LTLMAG :Magnifier