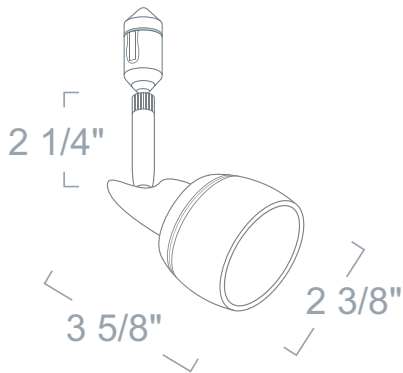


## LFCJ7010S - OLIVIA FLEXICURVE™ DIRECTIONAL HEADS



### SPECIFICATION

12V 50W MR16 GX5.3/GY6.35

**Application:** Made of solid die-cast construction, these fixtures perfectly blend into contemporary surroundings to provide that high-tech sophisticated look. These sleek adjustable directional FlexiCurve heads are perfect for spot lighting, accenting and highlighting objects in the room. Utilizing popular reflectored halogen MR16 lamps, they project precise sharp beams with a warm brilliant light. They can accept color lenses and optical filters to ensure the user obtains the desired effect.

**Connector:** Comes standard with satin gray Flexicurve Rail connector. Can be made to fit on LITON brand 120V track and 12V SlimTrack. (Available with extended lead times - consult factory.)

**Socket:** High Quality porcelain bi-pin socket with high temperature leads.

**Glass Color:** Available in Amber, Blue and Frosted.

**Label:** cETL Listed

### COMPATIBILITY



LTP

RAIL



LTP67

MR16 LENS HOLDER

Note: Wattage limitations on compatible items must be met.

2016.6.14

### FEATURE:



ORDERING EXAMPLE : LFCJ7010S-FR

### LFCJ7010S GLASS COLOR

- LFCJ7010S -AM :Amber
- BL :Blue
- FR :Frosted

ID#: 1076