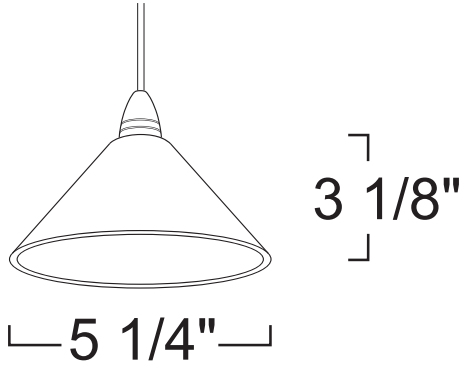


LFCJX328S - CONE DROP FLEXICURVE™ CABLE PENDANTS



SPECIFICATION

12V 50W MR16/T4 GX5.3/GY6.35

Application: Our Classic Glass selection offers a collection of simple glass shapes and colors that are most popular among lighting architects and designers.

Pendant fixtures are ideal for general and task lighting over bars, counters, and tables, where a downward light is needed. These unique miniature shades blend perfectly into contemporary surroundings to provide that high-tech sophisticated look. Available in various shapes and sizes, the FlexiCurve pendants are a perfect way to add a signature look to a room or area.

Connector: Comes standard with satin gray Flexicurve Rail connector. Can be made to fit on LITON brand 120V track and 12V SlimTrack. (Available with extended lead times - consult factory.)

Socket: High Quality porcelain bi-pin socket with high temperature leads.

Glass Color: Available in White, Blue, Green and Yellow.

Cable Length: Available in 24" Cable, 36" Cable, 48" Cable, 60" Cable and 72" Cable.

Label: cETL Listed

COMPATIBILITY



LTP

RAIL



LTP67

MR16 LENS HOLDER

Note: Wattage limitations on compatible items must be met.

2016.6.14

FEATURE:



ORDERING EXAMPLE : LFCJX328S-BL-24

LFCJX328S	GLASS COLOR	CABLE LENGTH
LFCJX328S	-W :White	-24 :24" Cable
	-BL :Blue	-36 :36" Cable
	-GR :Green	-48 :48" Cable
	-YL :Yellow	-60 :60" Cable
		-72 :72" Cable

ID#: 1089