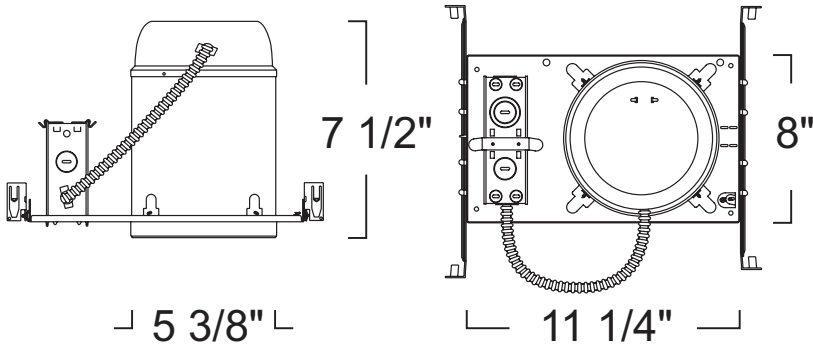


LH5ICA-GU24 - 5" BRACKET MOUNTED GU24 HOUSING 5" CFL (GU24)



SPECIFICATION

120V 13W-26W CFL GU24 Max

Application: General purpose recessed downlight housing for medium to high ceilings for residential and light commercial applications. A variety of trims, compatible styles and finishes are available to achieve the proper décor and illumination.

Housing: Pre-wired housing adjusts up to a 1-1/2" ceiling thickness. Integral thermal protector to guard against improper lamping and installation. Housing provides an adjustable socket plate which allows for use of different lamp types. Trim is secured with torsion wing springs/standard coil springs or serrated clips.

Mounting: Housing suitable for new construction installations only, supplied with (2) 24" adjustable hanger bars with 90 degrees repositioning ability. Hanger bars equipped with nail-less install 3/4" serrated barbed studs and with captive nails, for faster and easier secure mounting in wood joists. Set-screws lock into position and prevent shifting after installation. Earthquake structural cable compatible for drop panel ceiling or any other mounting that requires direct support from structural ceilings.

Socket: Energy Efficient GU24 socket with high temperature leads.

Junction Box : 16 gauge pre-wired galvanized steel Junction Box, 32 cubic-inch for a maximum of (8) #12 AWG wires. Furnished with (7) 3/4" and (4) Romex knock-outs. Strain clamps to install or remove covers for easy access and ground wire. Equipped with safety standard fitting for flex-conduit.

Insulation Contact: IC rated housing rated for direct contact with loosefill blown and rolled insulation.

Airflow: Airtight option is designed to restrict air flow from room into plenums in compliance to the WSEC - Washington State Energy Code, (Less than 2.0 CFM -Cubic Feet per Minute). Complies to Title24 air flow requirements (Air-tight).

Safety Labels: UL/CUL listed for through-branch wiring (8) No.12 AWG 90°C and suitable for damp locations. NYC approved: Calendar #41937.

ENERGY STAR: Qualified when used with Energy Star Qualified 13W-26W GU24 CFL Lamp (ordering: LLFQT-XX: XX= 13W, 18W or 26W)

Caution: Use of any 3rd party lamp source in this unit is subject to the lamp/module manufacturer's own limitations. In no way does LITON make any claims to compatibility in regards to form, fit, usage and case temperature conditions with other manufacturer's products. Users are responsible for confirming compatibility under all aforementioned conditions before using this product.

Label: Available in 13-26W CFL, 13W CFL, 18W CFL and 26W CFL.

Label: UL Listed

COMPATIBILITY



LR541

SELF FLANGED
REFLECTOR



LR543

METAL BAFFLE

Note: Wattage limitations on compatible items must be met.

2016.8.31

FEATURE:



ORDERING EXAMPLE : LH5ICA-GU24-LBL1326

LH5ICA-GU24	LABEL
LH5ICA-GU24	-LBL13 :13W CFL
	-LBL1326 :13-26W CFL
	-LBL18 :18W CFL
	-LBL26 :26W CFL

ID#: 2402