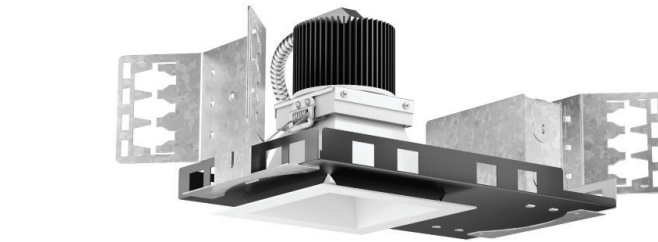
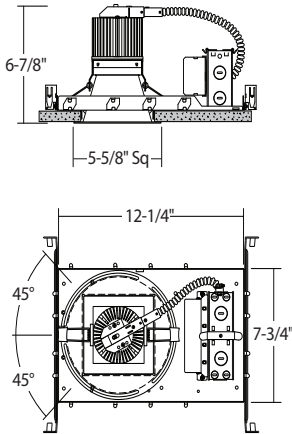


LHABLDQ4 : 4" LUMENBLAST

OPEN & LENSED DOWNLIGHTS, SQUARE, 1000LM - 7000LM



Ceiling Cut-Out: 4-3/4" Sq.
 Ceiling Thickness: 2" Max.

LHABLDQ4



- Illuminate up to 70' ceilings
- Low Glare Design
- Highly efficient COB (Chip on Board) LED
- Tuneable White and Warm-Dimming Options Available
- Multiple Wireless Control Options

ORDERING : LHABLDQ420C050UE-DUN-EM/LRAQ41SW-B15-T27

LHABLDQ4

Fixture	Lumens	Insulation Contact	Control	Emergency Options	JBox Options	Mounting Options	Trim	Beam Spread	Color Temperature
Lumens		Control		Control		Emergency Options			
1000lm (10W)	12C025	Non-Dimming (120V)	Blank	Athena Wireless Node (120V/277V) for Tuneable White Dimming via Dali Dimming	-AWN-TTW¹	10W Emergency Battery	-EM		
1500lm (15W)	15C035	TRIAC/ELV Dimming (120V)	-DIN	Athena Wireless Node with Occupancy Sensor (120V/277V) for Tuneable White Dimming via Dali Dimming	-AWN-OCC-TTW¹	Emergency Inverter	-EMAC		
2500lm (20W)	20C050	1%, TRIAC/ELV Dimming (120V)	-DINP1	UniSense Remotely Mounted Motion/Photo-sensor (120V)	-SUN-RMT^{1,4}	GTD Device	-GTD		
3500lm (30W)	35C070	0-10V Dimming (120V/277V)	UE-D10	Unisense Remotely Mounted Motion/Photo-sensor (120V/277V)	-SUN-RMT-1227^{1,4}	JBox Options			
Insulation Contact		1%, 0-10V Dimming (120V/277V)	UE-D10P1	Casambi Wireless Dimming (120V/277V)	-DCSM¹	None	Blank		
Non-IC	Blank	UniDim™ 0-10V, TRIAC/ELV Dimming (120V/277V)	UE-DUN	BubblyNet Wireless System (120V/277V)	-DBNT¹	Single Fuse	-FS¹		
IC-rated	-ICA	Lutron Hi-Lume (120V/277V)	UE-DHL	Lutron Vive Wireless Dimming Module (120V/277V)	-VIVE¹	Chicago Plenum	-CHP		
		Lutron EcoSystem (120V/277V)	UE-ECO	Mounting Options					
		DMX Dimming with input via XLR5 (120V/277V)	UE-DMXLR5	24" Adjustable		Blank			
		DMX Dimming with input via RJ45 (120V/277V)	UE-DMXRJ45	Architectural C-Channel		-BWNG			
		Dali Dimming (120V/277V)	UE-DLI						
		0-10V Dimming (347V)	-347-D10²						
		Athena Wireless Node (120V)	-AWN¹						

¹ Special order, minimum order. Extended lead time may apply. Consult Factory.
² -347-D10 is not available for LHABLDQ412C025
³ (TTW) dimming via either (1) x2 0-10V circuits on UE-D10, UE-D10P1, UE-DUN, or (2) 2-CH drivers with UE-DMX, UE-DLI, -DBNT or -DCSM.
⁴ (-SUN-RMT) sensor sent with mounting clips for existing ceiling applications.

Custom RAL Color: Please note that we appreciate custom finishes. Custom finishes are subject to a special paint setup fee for the quantity ordered. Extended lead times may apply. Consult Factory.

2025.10.24

ORDERING : LHABLDQ420C050UE-DUN-EM/LRAQ41SW-B15-T27 (Continued)

Trim (Open)		Trim (LENSED)		Beam Spread		Color Temperature	
Haze Reflector/ White Ring	LRAQ41SW	Haze Reflector/ White Ring	LRAQ42SW	15° Spot	-B15	2700K (90 CRI)	-T27
White Reflector & Ring	LRAQ41WW	White Reflector & Ring	LRAQ42WW	25° Narrow Flood	-B25	2700K (97 CRI)	-T27-C97¹
All Black	LRAQ41BBF	All Black	LRAQ42BBF	40° Flood	-B40	3000K (90 CRI)	-T30
All Satin Haze	LRAQ41SS	All Satin Haze	LRAQ42SS	60° Wide Flood	-B60	3000K (97 CRI)	-T30-C97¹
						3500K (90 CRI)	-T35
						4000K (90 CRI)	-T40
						5000K (90 CRI)	-T50
						Warm dimming 1850K-3000K	-TWD¹
						Tunable White 2700K-6500K	-TTW^{1,3}

¹ Special order, minimum order. Extended lead time may apply. Consult Factory.

² -347-D10 is not available for LHABLDQ412C025

³ (TTW) dimming via either (1) x2 0-10V circuits on UE-D10, UE-D10P1, UE-DUN, or (2) 2-CH drivers with UE-DMX, UE-DLI, -DBNT or -DCSM.

⁴ (-SUN-RMT) sensor sent with mounting clips for existing ceiling applications.

Custom RAL Color: Please note that we appreciate custom finishes. Custom finishes are subject to a special paint setup fee for the quantity ordered. Extended lead times may apply. Consult Factory.

SPECIFICATION

Application

The 4" LumenBlast housing is designed for medium to high ceiling heights and is available as a fixed downlight. With 2 trim options and five trim finishes, the luminaire offers the versatility and high lumen output that is ideal for classrooms, office lobbies and retail applications.

Mounting

Housing suitable for new construction installations only, supplied with (2) 24" adjustable hanger bars with 90° repositioning ability. Suitable for wood & metal joist support systems, and also drywall & T-bar ceilings. Hanger bars equipped with nail-less install 3/4" serrated barbed studs and captive nails, for faster and easier secure mounting in wood joists. Setscrews lock into position and prevent shifting after installation. Earthquake structural cable compatible for drop panel ceiling or any other mounting that requires direct support from structural ceilings.

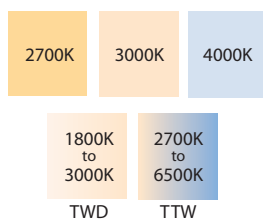
Thermal Management:

Heat dissipation facilitated by a large exposed integral aluminum heat sink to maximize heat dissipation in an open-air environment. The recommended ambient temperature should be below 35°C (95°F) to achieve a minimum L70 life of 50,000 hours according to the LM80 standard.

Power Connection

Our LED lamp array is replaceable via our on board quick disconnect terminal. Meets CA Title 24 Requirements and other standards restricting the use of Medium Base or Bi-Pin Sockets.

Color Temperature (CCT)



Color Temperature - Comes standard with 3000K Warm White LEDs binned to 3-step MacAdam ellipses within the ANSI C78 377A standard for color temperature and chromaticity ranges light binning allowance. Also available in 2700K, 3500K and 4000K.

Color Rendering Index - Comes standard with 90 CRI and 97 CRI (C97) option also available with 2700K and 3000K.

Warm Dimming - Optional from 1850K to 3000K.

Tunable White - Optional with correlated color temperature range from 2700K to 6500K.

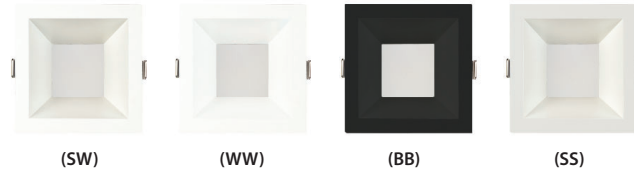
SPECIFICATION (Continued)

Reflector

Field adjustable twist and lock reflector is easily removable for both Non-IC and IC rated housings to provide quick access to LED lamp array. Frosted polycarbonate lens pre-installed on reflector unifies diode sources and protects diodes from dust and particles from front of aperture.

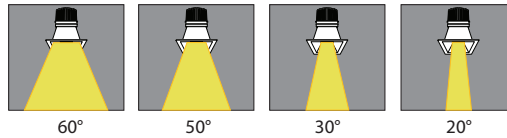
Reflector Finish

1-piece, self-flanged, dual reflector LED design provides a clean trim finish without secondary trim ring. Heavy gauge aluminum reflector prevents ugly dents during shipping & installation. Deeply mounted singular LED provides 50° visual cutoff. Available in Satin Haze Reflector/White Finish, White Reflector/White Finish, All Black, and All Satin Haze. Custom finishes available by special order. Additional charges apply. Consult factory.



Optics

Multifaceted aluminum reflectors produces low glare illumination with multiple light control options.



Junction Box

16-gauge pre-wired galvanized steel Junction Box, 26 cubic-inch for a maximum of (8) #12 AWG wires. Furnished with (7) 1/2" knockouts. Strain clamps are included to install or remove covers for an easily accessed ground wire. (-CHP) option is Chicago Plenum, air-tight Junction Box.

Airflow

IC-Rated/Airtight (ICA) reflector design is designed to restrict air flow from room into plenums in compliance to the WSEC - Washington State Energy Code, (Less than 2.0 CFM-Cubic Feet per Minute).

Certifications and Listings



cETLus listed to UL1598 and UL8750. Suitable for dry, damp, and wet locations. NYC approved: Calendar #41937. Conforms to City of Chicago Environmental Air CCEA-200 with Section 18-27-300.22 and special requirements Section 14-20-210C-4. Assembled in USA.

Caution

LITON recommends use of surge protectors on the power entering LED Housings. Surge damage is not covered by warranty. (+1KV). Fixtures must be grounded in accordance with national, state and/or local electrical codes. Failure to do so may result in serious personal injury.

SPECIFICATION (Continued)

Control Options

ELV and TRIAC Driver 120V (-DIN):

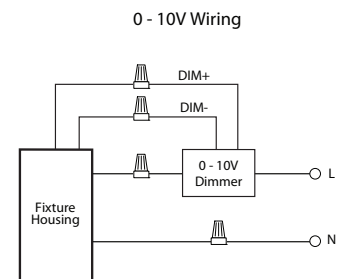
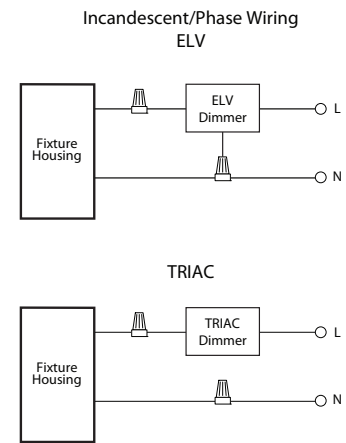
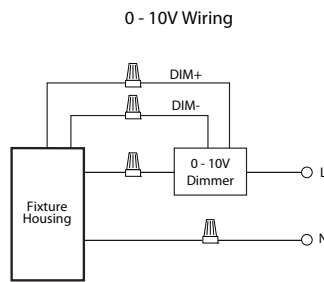
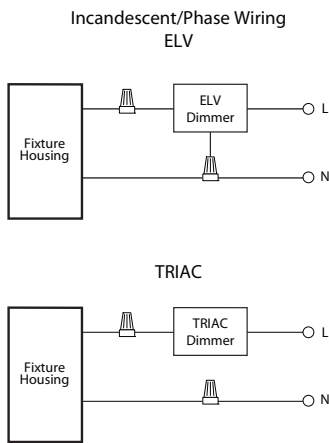
Compatible with electronic low voltage, and 2-Wire incandescent dimmers. Also known as leading edge, Reverse Phase, Forward Phase dimming. Allows smooth dimming down to 5% depending upon the dimmer's limitations.

0-10V Driver 120V/277V (UE-D10):

Compatible with most existing 0-10V systems. Also known as fluorescent or 5-Wire dimming. Allows smooth dimming down to 5% depending upon the dimmer's limitations. Compatible with daylight harvesting controls.

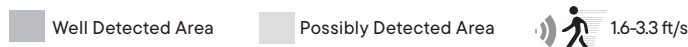
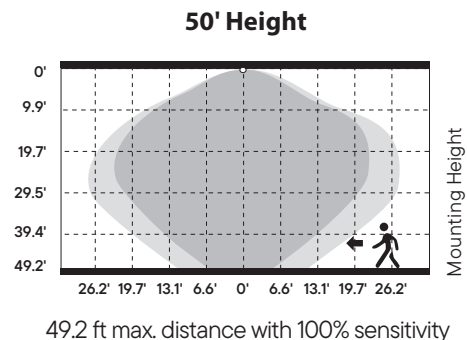
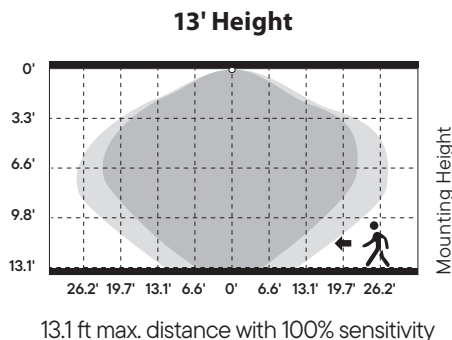
UniDim™ Driver 120V/277V (UE-DUN):

All in one ELV and TRIAC phase dimming (120V only), and 0-10V dimming (120V/277V). Works with most 3-Wire ELV, 2-Wire incandescent and 120V/277V 5-Wire 0-10V fluorescent dimmers.



Unisense™ PROGRAMMABLE MOTION + DAYLIGHT (-SUN-RMT, -SUN-RMT-1227)

- Microwave and PIR (Passive Infrared) sensors depending on option
- Daylight harvesting
- Dusk/dawn sensing capabilities
- Motion Sensor



SPECIFICATION (Continued)

Warranty

Covered by a 5-Year Warranty to be free of defects in materials and craftsmanship. Recommended for applications where ambient temperatures do not exceed 35°C (95°F), installations exceeding this temperature will result in reduced LED lamp life and a voided warranty.

Emergency Options

Emergency LED Battery Back-up available, remotely mounted adjacently by the installer. When AC power fails, the device immediately switches to the emergency mode, operating the LEDs for a minimum of 90 minutes. Remote test switch and plate cover included. Optional Generator Transfer Device switches the driver to auxiliary generator power during the loss of normal AC power, (recommended for applications requiring individual circuit switching).

EMERGENCY BATTERY (-EM): 10W

- Must be installed in Dry Locations
- 10W constant output to LED lamp

Not rated for outdoor mounting. Damp location rated.

-EM Lumen Data (Battery)

Fixture/Trim	LHABLDQ412C025
Fixture Wattage:	10W
Fixture Lumens:	1000
EM Lumens:	1000

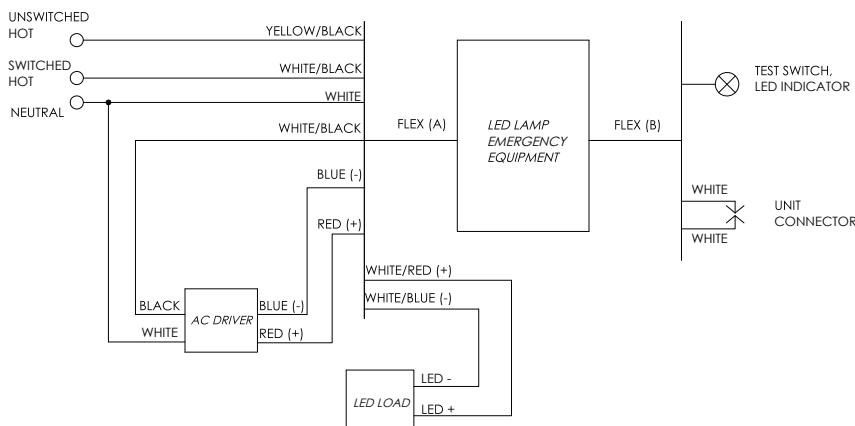
Fixture/Trim	LHABLDQ415C035
Fixture Wattage:	15W
Fixture Lumens:	1500
EM Lumens:	1000

Fixture/Trim	LHABLDQ420C050
Fixture Wattage:	20W
Fixture Lumens:	2500
EM Lumens:	1000

Fixture/Trim	LHABLDQ435C070
Fixture Wattage:	30W
Fixture Lumens:	3500
EM Lumens:	1000

Fixture/Trim	LHABLDQ445C070
Fixture Wattage:	35W
Fixture Lumens:	4500
EM Lumens:	1000

Fixture/Trim	LHABLDQ450C100
Fixture Wattage:	45W
Fixture Lumens:	5000
EM Lumens:	1000



Input Voltage:	120-277VAC/60Hz
Output Voltage:	10W
Wattage:	10W
Switching Time:	<1s
Charging Time:	24h
Operating Time:	90 minutes
Minimum Temperature:	0°C
Maximum Temperature:	50°C
Self-Diagnostic:	No

SPECIFICATION (Continued)

FULL POWER EMERGENCY INVERTER (-EMAC or -EMAC347): 10W - 45W

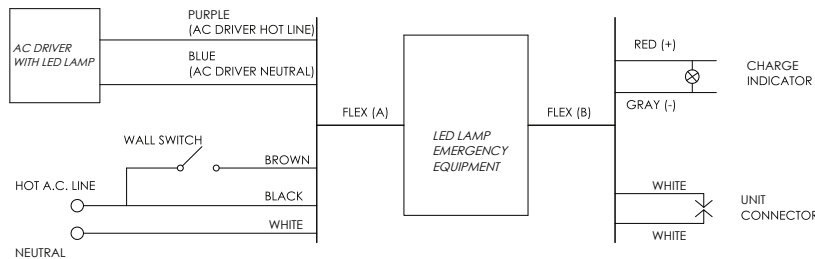
- Must be installed in Dry Locations
- Wattage package will determine battery sent; corresponding wiring diagrams below
- 170 VDC output to AC DRIVER during EM mode

Not rated for outdoor mounting. Damp location rated.

-EMAC Lumen Data (Battery)

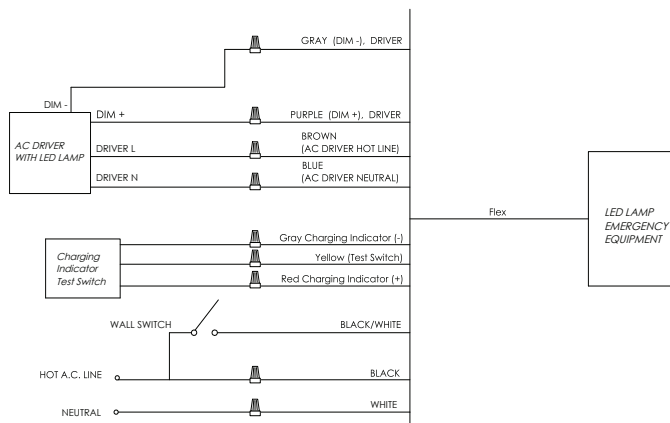
Fixture/Trim	LHABLDQ412C025	Fixture/Trim	LHABLDQ415C035	Fixture/Trim	LHABLDQ420C050
Fixture Wattage:	10W	Fixture Wattage:	15W	Fixture Wattage:	20W
Fixture Lumens:	1000	Fixture Lumens:	1500	Fixture Lumens:	2500
EM Lumens:	1000	EM Lumens:	1500	EM Lumens:	2500
Fixture/Trim	LHABLDQ435C070	Fixture/Trim	LHABLDQ445C070	Fixture/Trim	LHABLDQ450C100
Fixture Wattage:	30W	Fixture Wattage:	35W	Fixture Wattage:	45W
Fixture Lumens:	3500	Fixture Lumens:	4500	Fixture Lumens:	5000
EM Lumens:	3500	EM Lumens:	4500	EM Lumens:	5000

<25W LOAD



Input Voltage:	120-277VAC/60Hz
Output Voltage:	170VDC (120VAC Equivalent)
Wattage:	25W
Switching Time:	<1s
Charging Time:	24h
Operating Time:	90 minutes
Minimum Temperature:	0°C
Maximum Temperature:	50°C
Self-Diagnostic:	No

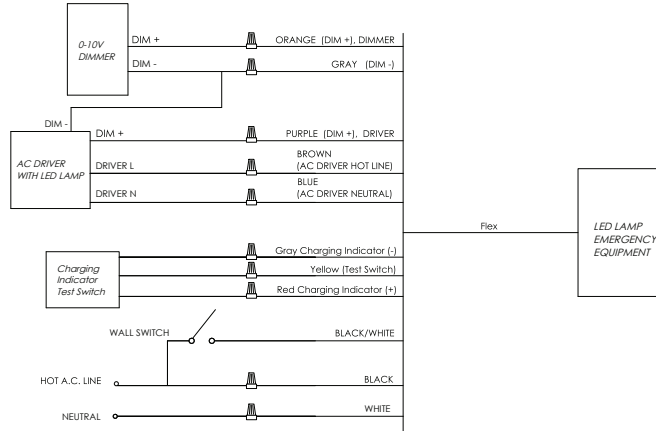
<40W LOAD



SPECIFICATION (Continued)

>40W LOAD

- 0-10V dimmable driver required



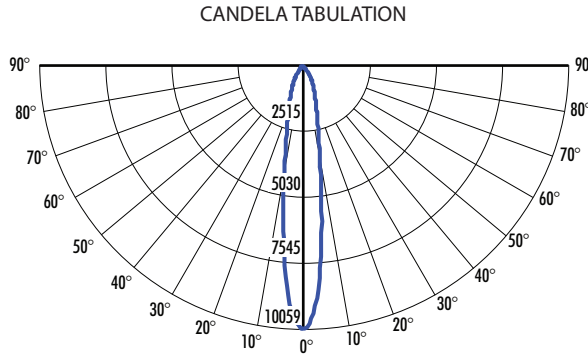
Input Voltage:	120-277VAC or 347VAC/60Hz
Output Voltage:	170VDC (120VAC Equivalent)
Wattage:	44W
Switching Time:	<1s
Charging Time:	24h
Operating Time:	90 minutes
Minimum Temperature:	0°C
Maximum Temperature:	50°C
Self-Diagnostic:	Yes

PHOTOMETRY

LHABLDQ450C100UE-DUN / CR4QLC40WW-B15-T40 (2500lm, 30W, 15°, 4000K)

System Power: 30W
 Test Date: 01/2024
 Beam Angle 50%: 16.6°
 Field Angle 10%: 50.0°
 Color Temperature: 4019K
 CRI: 91.0
 Lumens Delivered: 2196
 CBCP: 10059.3
 Power Factor: 0.99

MULTIPLIERS	
CCT	
2700K :	0.87
3000K :	0.92
3500K :	0.96
4000K :	1.00
Lumens	
1000lm:	2.75
1500lm:	1.95
2000lm:	1.45
3000lm:	1.00
Lens	
Lens:	0.85
Open:	1.00



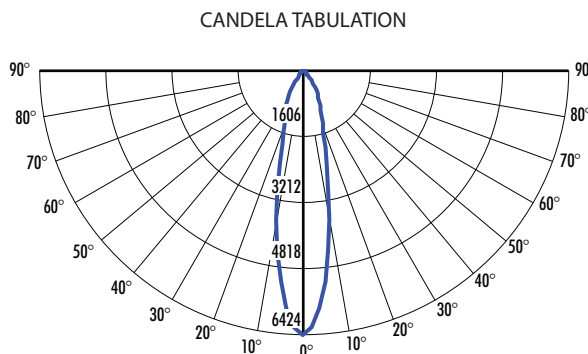
FOOTCANDLE DISTRIBUTION

Height	Beam Diameter	FC
8.0'	2.33'	157.18
10.0'	2.92'	100.59
12.0'	3.50'	69.86
14.0'	4.08'	51.32
16.0'	4.67'	39.29
75.0'	21.88'	2.00

LHABLDQ450C100UE-DUN / CR4QLC40WW-B25-T40 (2500lm, 30W, 25°, 4000K)

System Power: 30W
 Test Date: 01/2024
 Beam Angle 50%: 22.7°
 Field Angle 10%: 63.3°
 Color Temperature: 3988K
 CRI: 90.8
 Lumens Delivered: 2098
 CBCP: 6423.7
 Power Factor: 0.99

MULTIPLIERS	
CCT	
2700K :	0.87
3000K :	0.92
3500K :	0.96
4000K :	1.00
Lumens	
1000lm:	2.75
1500lm:	1.95
2000lm:	1.45
3000lm:	1.00
Lens	
Lens:	0.85
Open:	1.00



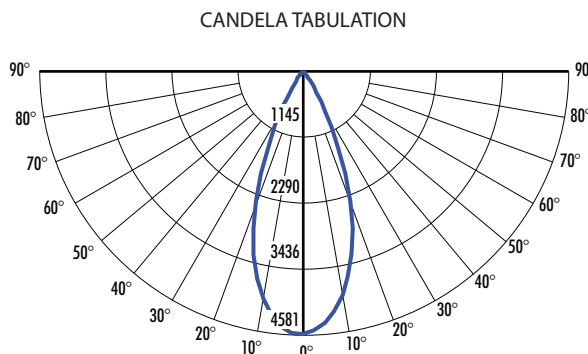
FOOTCANDLE DISTRIBUTION

Height	Beam Diameter	FC
8.0'	3.21'	100.37
10.0'	4.01'	64.24
12.0'	4.82'	44.61
14.0'	5.62'	32.77
16.0'	6.42'	25.09
60.0'	24.09'	2.00

LHABLDQ450C100UE-DUN / CR4QLC40WW-B40-T40 (2500lm, 30W, 40°, 4000K)

System Power: 30W
 Test Date: 01/2024
 Beam Angle 50%: 41.1°
 Field Angle 10%: 68.2°
 Color Temperature: 4005K
 CRI: 90.9
 Lumens Delivered: 2432
 CBCP: 4580.8
 Power Factor: 0.99

MULTIPLIERS	
CCT	
2700K :	0.87
3000K :	0.92
3500K :	0.96
4000K :	1.00
Lumens	
1000lm:	2.75
1500lm:	1.95
2000lm:	1.45
3000lm:	1.00
Lens	
Lens:	0.85
Open:	1.00



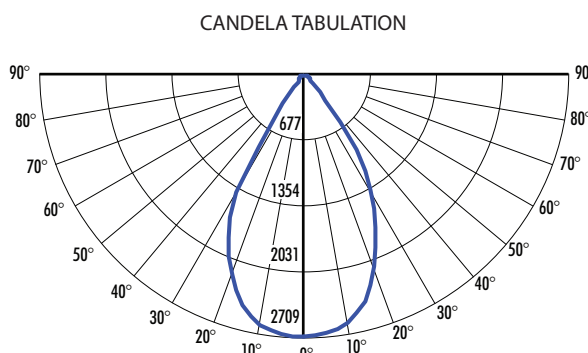
FOOTCANDLE DISTRIBUTION

Height	Beam Diameter	FC
8.0'	6.00'	71.57
10.0'	7.50'	45.81
12.0'	9.00'	31.81
14.0'	10.50'	23.37
16.0'	12.00'	17.89
40.0'	30.00'	2.00

LHABLDQ450C100UE-DUN / CR4QLC40WW-B60-T40 (2500lm, 30W, 60°, 4000K)

System Power: 30W
 Test Date: 01/2024
 Beam Angle 50%: 59.9°
 Field Angle 10%: 81.6°
 Color Temperature: 4016K
 CRI: 91.0
 Lumens Delivered: 2487
 CBCP: 2708.6
 Power Factor: 0.99

MULTIPLIERS	
CCT	
2700K :	0.87
3000K :	0.92
3500K :	0.96
4000K :	1.00
Lumens	
1000lm:	2.75
1500lm:	1.95
2000lm:	1.45
3000lm:	1.00
Lens	
Lens:	0.85
Open:	1.00



FOOTCANDLE DISTRIBUTION

Height	Beam Diameter	FC
8.0'	9.22'	42.32
10.0'	11.52'	27.09
12.0'	13.83'	18.81
14.0'	16.13'	13.82
16.0'	18.44'	10.58
40.0'	46.10'	2.00

2024.02.02