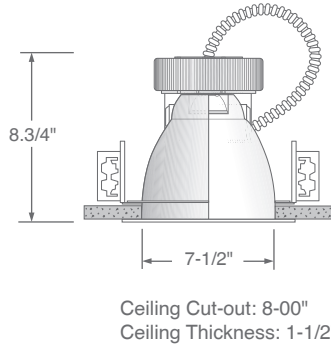
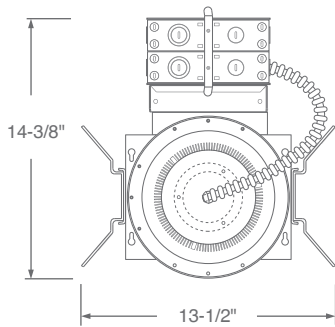


## LHALD840 - 8" ARCHITECTURAL LED FRAME-KIT (4000LM) 8" ROUND DOWNLIGHT (4000LM)



### SPECIFICATION

40W 120V/277V

**Application:** Architectural-grade recessed LED downlight housing for medium to high ceilings combines energy efficiency with powerful lumen output.

**Housing Frame:** 16 gauge galvanized plaster ring with black powder coat finish, friction or V-Spring clips secure trim to housing.

**Mounting:** Housing suitable for new construction installations only, Bat-Wing bar hanger brackets adjust vertically 3 1/4" for multiple ceiling types and accepts 1/2" EMT, 26" C-Channel Strut for T-bar ceilings and 27" adjustable linear hanger bars for plaster ceilings or wood/metal joists. Heavy duty 16-gauge, die-formed galvanized steel. Bar hangers optional.

**Driver:** 120V/277V AC 50/60Hz Electronic Direct Current Class 2 driver integrally mounted on large access Junction Box. Power Factor > 0.90. Operating Temperature: -10°C to +80°C. Accessible from above or below ceiling. Consult Factory for dimming options and compatible dimmers.

**Emergency Options:** Emergency LED Battery Back-up available, remotely mounted adjacent to housing by installer. When AC power fails, the device immediately switches to the emergency mode, operating the LEDs for a minimum of 90 minutes. Remote test switch and plate cover included. Optional Generator Transfer Device switches the driver to auxiliary generator power during the loss of normal AC power, (recommended for applications requiring individual circuit switching).

**Junction Box:** 16 gauge pre-wired galvanized steel double Junction Box, 64 cubic-inch for a maximum of (8) #12 AWG wires. Furnished with (10) 3/4", (2) 1" and (8) Romex knock-outs. Strain clamps to install or remove covers for easy access and ground wire. Equipped with safety standard die-cast aluminum fitting for flex-conduit.

**Insulation Contact:** Non-IC rated housing must be kept 3" from insulation.

**Dimming:** 0-10V dimming option (-D10) works with most 5-Wire 0-10V dimmers. Uni-Dim™ (-DUN) option is a universal dimming system that works with most 3-Wire ELV, 2-Wire Incandescent and 5-Wire 0-10V fluorescent dimmers.

**Warranty:** Covered by a 5 Year Warranty to be free of defects in materials and craftsmanship. Recommended for applications where ambient temperatures do not exceed 35°C, installations exceeding this temperature will result in reduced LED lamp life and a voided warranty.

**Caution:** LITON recommends use of surge protectors on the power entering LED Housings. Surge damage is not covered by warranty.

Suitable for Damp and Wet Location Installations.

### COMPATIBILITY



Note: Wattage limitations on compatible items must be met.

#### Benefit:

- High lumen output for ceilings up to 50'
- Equivalent to 70W CMH-PAR30 HID Downlight
- Instant on, no re-strike delay
- 0-10V dimming option for hassle-free system compatibility

2020.07.28

### FEATURE:



ORDERING EXAMPLE : LHALD840C105UE

LHALD840	DRIVER TYPE (ALL 120V/277V)	OPTION	ACCESSORIES
LHALD840	<b>C105UE</b> :Non-Dimming	<b>Blank</b> :None	<b>/C260</b> :26" C Channel
	<b>C105UE-D10</b> :0-10V 10% Dimming	<b>-EM</b> :Emergency (10W)	<b>/C260-J</b> :26" Adjustable C-Channel
	<b>C105UE-DUN</b> :UniDim™ Universal Dimming	<b>-GTD</b> :Generator Transfer Device	
	<b>C105-DINPZ</b> :2-Wire 0% Dimming (120V)		
	<b>C105UE-DMX</b> :DMX Dimming		
	<b>C105UE-DZG</b> :Zigbee Dimming		

ID#: 3243