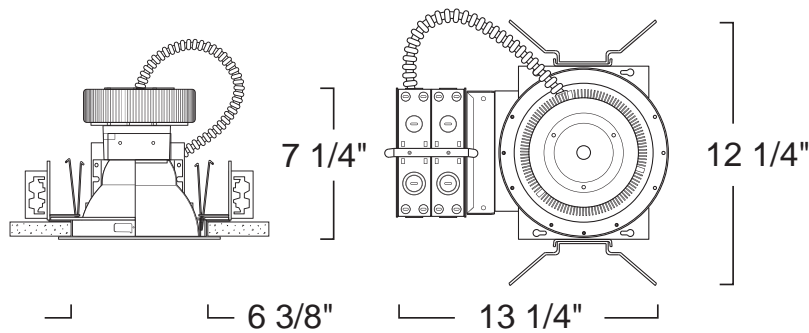


## 6" ARCHITECTURAL REMOTE PHOSPHOR L.E.D.



### SPECIFICATION

120V/277V L.E.D.

Ceiling cut-out: 6 3/4"

**Application:** Architectural-grade recessed LED new construction downlight housing for medium to high ceilings in commercial and architectural spaces. Deeply recessed reflector design eliminates glare. Remote Phosphor LED design eliminates visible LEDs.

**Remote Phosphor LED Technology:** Features Philips Fortimo™ LED Module. Remote Phosphor produces high lumen output with no visible LEDs, longer product life due to superior heat management, improved energy efficiency and equivalent lumen output across all available color temperatures.

**Housing Frame:** 16 gauge galvanized plaster ring with powder coat finish, six friction clips secure trim to housing for ceilings up to 1 3/4" thick. Triple slot bat-wing hanger brackets accommodate multiple bar hanger systems.

**Mounting:** Housing suitable for new construction installations only, Bat-Wing bar hanger brackets adjust vertically 3 1/4" for multiple ceiling types and accepts 1/2" EMT. 26" C-Channel Strut for T-bar ceilings and 27" adjustable linear hanger bars for plaster ceilings or wood/metal joists. Heavy duty 16-gauge, die-formed galvanized steel. Bar hangers optional. Steel V-Spring allow for easy installation of Heat-Sinked Reflector trim.

**Non-Dimming Driver:** 120V/277V AC 50/60Hz Electronic Direct Current Class 2 driver integrally mounted on large access Junction Box. Power Factor > 0.90 Operating Temperature: -30°C to +80°C. Accessible from above or below ceiling. Consult factory for compatible dimmers. See ordering guide for dimming options.

**Dimmable Driver:** Advance Xitanium 120V/277V AC LED Driver with 0-10V dimming to 10% of initial lumens. Power factor: >9.50/60Hz.

**Emergency Option:** 10 Watt Remote Emergency Battery Back-up available, mounted adjacent to housing by installer. Remote test switch, plate cover and junction box included.

**Junction Box:** 16 gauge pre-wired galvanized steel double Junction Box, 64 cubic-inch for a maximum of (8) #12 AWG wires. Furnished with (10) 3/4", (2) 1" and (8) Romex knock-outs. Strain clamps to install or remove covers for easy access and ground wire. Equipped with safety standard die-cast aluminum fitting for flex-conduit.

**Insulation Contact:** Non IC rated housing must be kept 3" from insulation.

### FEATURE(S):



**Reflector Construction:** One piece self-flanged design provides a clean trim finish, without the need for a secondary trim ring. Heavy-gauge aluminum reflector prevents ugly dents during shipping and installation. Provides 50° visual cut-off for a glare free appearance. Held in place with positive retention v-spring. Available in Satin Haze Reflector/White Flange and White Reflector/White Flange.

**Power Connection:** LED lamp module is replaceable via on board quick disconnected terminal. Meets CA Title 24 requirements and other standards restricting the use of Medium Base or Bi-Pin sockets.

**Color Temperature:** LED module comes standard in warm white 3,000K +/- 100K. Available in 3,500K or 4,000K as special order. Consult factory, extended lead times may apply.

**Thermal Management:** LM80 tested to achieve a minimum of 40,000 L70 life. Heat dissipation facilitated by exposed integral aluminum heat sink to maximize heat rejection in an open air environment. Recommended ambient temperature is below 35 degree celsius.

**Warranty:** Covered by a 5 Year Warranty to be free of defects in materials and craftsmanship. Fixture should not be installed in applications with ambient temperature above 40 degrees C. Doing so will result in reduced lamp life and voided warranty.

**Safety Labels:** ETL/cETL listed. Suitable for dry, damp and wet locations. NYC approved: Calendar #41937.

**Caution:** LITON recommends use of surge protectors on the power entering LED Housings. Surge damage is not covered by warranty.

### ARCHITECTURAL HOUSING

LHFLD620 - 1100 lumen LED

LHFLD620C070UE	Dimming	Options
LHFLD620C070UE	Blank :Non Dimming -D10 :0-10V 10% Dimming	Blank :None -EM :Emergency Battery Pack w/Remote Test Switch /L270 :Linear Hanger Bars /C260 :C-Channel Hanger

LHFLD636 - 2000 lumen LED

LHFLD636C070UE	Dimming	Options
LHFLD636C070UE	Blank :Non Dimming -D10 :0-10V 10% Dimming	Blank :None -EM :Emergency Battery Pack w/Remote Test Switch /L270 :Linear Hanger Bars /C260 :C-Channel Hanger

### TRIM LRFLD6

LRFLD6	Reflector/Flange Finish	Color Temp.
LRFLD6	SWF110 :Satin Reflector/White Flange WWF110 :White Reflector/White Flange	-T30 :3,000K

LRFLD6	Reflector/Flange Finish	Color Temp.
LRFLD6	SWF200 :Satin Reflector/White Flange WWF200 :White Reflector/White Flange	-T30 :3,000K -T35 :3,500K -T40 :4,000K

► Ordering Example: LHFLD620C070UE-D10 / LRFLD6SWF110-T30

6" LED Downlight Luminaire

Lamp: (1)LED

Color Rendering Index (CRI) :79.01

Total Luminaire Efficacy :40.75 lm/W

Luminaire Lumens :1369

LM79 Report File

By:

Lighting Sciences Inc.

LHFLD636V52-D10/

LRFLD6CWF200-T35

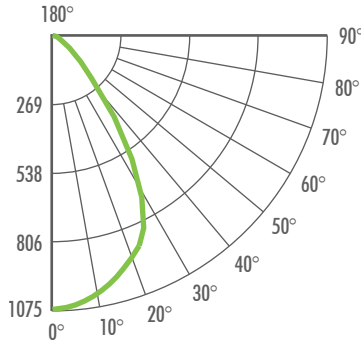
## FIXTURE DATA

LED Module Lumen	Fixture Lumen	Input Wattage
1100	800	18W
2000	1400	36W

## INTENSITY (CANDLEPOWER) SUMMARY

### CANDELA TABULATION

Angle	Luminance
0.0	1075
1.0	1073
3.0	1068
5.0	1060
7.0	1049
9.0	1036
11.0	1020
13.0	1000
15.0	979
17.0	956
19.5	928
22.5	893
25.5	836
29.0	726
33.0	577
37.5	401
42.5	231
47.5	151
55.0	84
65.0	34
75.0	20
85.0	10
90.0	0



## MULTIPLIERS

### FINISHES

Satin Haze	1.0
White	0.9

### LED LUMENS

2000 lumen LED	1.0
1100 lumen LED	0.55

## ZONAL LUMENS SUMMARY

Zone	Lumens	% Luminaire
0 - 20	358.55	26.20
0 - 30	718.78	52.50
0 - 40	1005.18	73.40
0 - 60	1265.86	92.50
0 - 80	1349.61	98.60
0 - 90	1368.53	100.00
10 - 90	1287.03	94.00
20 - 40	646.63	47.30
20 - 50	831.99	60.80
40 - 70	316.64	23.10
60 - 80	83.75	6.10
70 - 80	27.79	2.00
80 - 90	18.92	1.40

## AVERAGE LUMINANCE DATA

### CD./SQ.M (FOOTLAMBERTS)

Angle	Luminance
0	456987 ( 133378 )
30	33469 ( 9768 )
40	2918 ( 851 )
45	1526 ( 445 )
50	532 ( 155 )
55	470 ( 137 )
60	293 ( 85 )
65	87 ( 25 )
70	0 ( 0 )
75	0 ( 0 )
80	105 ( 30 )
85	0 ( 0 )

## LUMINANCE SUMMARY CD./SQ.M.

### CD./SQ.M (FOOTLAMBERTS)

Angle	Mean CD/Sq. M.
45	16743
55	9077
65	4987
75	4790
85	7112