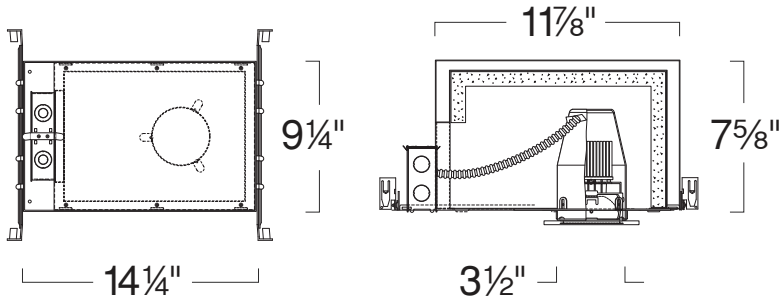


## LHFRLD3 - 3" FIRE-RATED LED HOUSING

### 3" LED HOUSINGS (8W)



### SPECIFICATION

8W LED

**Application:** This miniature General Purpose LED housing is perfect for low to medium height ceilings in residential and light commercial applications. Its small aperture makes it ideal for strategic placement where space is limited and energy savings is important. A variety of trim styles, finishes, and beam spreads are available to achieve a desired look.

**Mounting:** Housing suitable for new construction installations. Adjusts up to 1-1/4" ceiling thickness. Supplied with (2) 24" adjustable hanger bars. Hanger bars equipped with nail-less install 3/4" serrated barbed studs and with captive nails, for faster and easier secure mounting in wood joists. Set-screws lock into position and prevent shifting after installation. Trim is secured via positive retention friction clips.

**Power Connection:** LED heat sinked lamp module is replaceable via onboard quick exclusionary disconnect terminal. No tools required. Meets CA Title 24 Requirements and other standards restricting the use of Medium Base or Bi-Pin Sockets.

**Driver:** Electronic Direct Current U.L. Listed driver mounted away from LED Array for cool operation and end-of-life modularity. Comes standard with 120VAC input, available with optional 120V/277V universal voltage input. Consult factory.

**Dimming:** '-DIN' dimming option smoothly dims down to 10% with ELV dimming systems.

**Emergency Option:** Emergency LED Battery Back-up available, remotely mounted adjacent to housing by installer. When AC power fails, the device immediately switches to the emergency mode, operating the LEDs for a minimum of 90 minutes. Remote test switch, plate cover and junction box included. Optional Generator Transfer Device switches the driver to auxiliary generator power during the loss of normal AC power, (recommended for applications requiring individual circuit switching).

**Junction Box:** 16 gauge pre-wired galvanized steel Junction Box, 32 cubic-inch for a maximum of (8) #12 AWG wires. Furnished with (6) 1/2", and (2) 3/4" knock-outs. Strain clamps to install or remove covers for easy access and ground wire.

**Insulation Contact:** Energy Efficient LED housing comes standard with IC rating for direct contact with loosefill blown and rolled insulation.

**Airflow:** Airtight option is designed to restrict air flow from room into plenums in compliance to the WSEC - Washington State Energy Code, (Less than 2.0 CFM -Cubic Feet per Minute). Complies to Title24 air flow requirements (Air-tight).

**Fire Rating:** Stops the progress of an active fire. Meets the fire-stop capabilities of a typical 5/8" gypsum board (drywall) barrier. Eliminates the requirement to specify more expensive fire-rated materials or the use of manually constructed drywall enclosures.

Patented dual-layer housing is constructed of 20-gauge aluminum designed to maintain the continuity of fire-rated ceiling assemblies, subject to UL classified L500 series fire rated assemblies rated for 1 hour.

UL Certifications and Approvals for One-Hour Fire Rating: UL263, CAN/ULC S101-07, ASTM E119-00A, UBC7-1, NFPA 251 and ASI A2.1 under U.S. Patent

**Safety Labels:** UL/cUL listed. Suitable for damp locations. NYC approved: Calendar #41937. STC (Sound Transmission Class), and IIC (Impact Insulation Class) compliant.

### COMPATIBILITY

 <b>LRLDH319</b> <b>3" MICRO-CAST PINHOLE</b>	 <b>LRLDH319SQ</b> <b>3" SQUARE PINHOLE BAFFLE</b>	 <b>LRLDH321</b> <b>3" MICRO-CAST REFLECTOR</b>
 <b>LRLDH342</b> <b>3" DECO GLASS DOME</b>	 <b>LRLDH356</b> <b>3" DECO GLASS</b>	 <b>LRLDH388</b> <b>3" MICRO-CAST GIMBAL</b>
 <b>LRLDH393</b> <b>3" MICRO-CAST BAFFLE</b>		

Note: Wattage limitations on compatible items must be met.

**Warranty:** Covered by a 3 Year Warranty to be free of defects in materials and craftsmanship. Recommended for applications where ambient temperatures do not exceed 35°C, installations exceeding this temperature will result in reduced LED lamp life and a voided warranty.

**Caution:** LITON recommends use of surge protectors on the power entering LED Housings. Surge damage is not covered by warranty.

**Ceiling Type:** Suitable for flat and sloped ceilings.

**Benefit:**

- Patented 3-Stage Fire Resistant Technology
- One-hour fire rating New Construction Housing
- Eliminates manually constructed drywall enclosures saving labor, materials and time.
- IC Rated and Airtight

2022.01.19



ORDERING EXAMPLE : LHFRLD308C35-EM

LHFRLD3	WATTAGE	DIMMING	OPTION
LHFRLD3	<b>08C35</b> :8W	<b>Blank</b> :120V <b>-DIN</b> :120V (ELV/Incandescent Dimming) <b>UE</b> :120V/277V	<b>-EM</b> :Emergency Backup (4W)

\* Above ceiling access required for EM option.

