

SPECIFICATION

Applications

Professional-grade IC fire-rated recessed LED downlight for medium to high ceilings in commercial and architectural spaces.

Fire Rating

Stops the progress of an active fire. Meets the fire-stop capabilities of a typical 5/8" gypsum board (drywall) barrier. Eliminates the requirement to specify more expensive fire-rated materials or the use of manually constructed drywall enclosures.

Patented dual-layer housing is constructed of 20-gauge aluminum designed to maintain the continuity of fire-rated ceiling assemblies, subject to UL classified L500 series fire rated assemblies rated for 1-hour. UL Certifications and Approvals for One-Hour Fire Rating: UL263, CAN/ULC S101-07, ASTM E119-00A, UBC7-1, NFPA 251 and ASI A2.1 under U.S. Patent.

Mounting

Housing suitable for new construction installations. Adjusts up to 1-1/4" ceiling thickness. Supplied with (2) 24" adjustable hanger bars. Hanger bars equipped with nail-less install 3/4" serrated barbed studs and with captive nails, for faster and easier secure mounting in wood joists. Set-screws lock into position and prevent shifting after installation. Trim is secured via positive retention friction clips.

Driver

120V/277V AC 50/60Hz Electronic Direct Current Class 2 driver integrally mounted on large access Junction Box. Power Factor > 0.90. Operating Temperature: -10°C to +80°C. Accessible from above or below ceiling.

(UE-D10) 0-10V dimming works with most 5-wire, 0-10V dimmers. Factory qualified for use with Leviton IP710-DLZ.

(UE-DUN) Uni-Dim™ dimming option is a universal dimming system that works with most 120V, 3-wire ELV, 2-wire incandescent, and 120V/277V, 5-wire 0-10V fluorescent dimmers.

Emergency Options

Emergency LED Battery Back-up available, remotely mounted adjacent to housing by installer. When AC power fails, the device immediately switches to the emergency mode, operating the LEDs for a minimum of 90 minutes. Remote test switch, and plate cover included. Optional Generator Transfer Device switches the driver to auxiliary generator power during the loss of normal AC power, (recommended for applications requiring individual circuit switching).

Color Temperature (CCT)

Available in 2700K, 3000K, 3500K and 4000K.

Insulation Contact

IC rated for direct insulation contact.

Thermal Management

Heat dissipation facilitated by the exposed integral aluminum heat sink to maximize heat rejection in an open-air environment. The recommended ambient temperature should be below 35°C to achieve a minimum L70 life of 50,000 hours according to the LM80 standard.

Reflector

One piece, self-flanged dual-reflector LED design enables a clean trim finish, without the need for a secondary trim ring. Heavy-gauge aluminum reflector prevents ugly dents during shipping and installation. Deeply mounted LED provides 50 degree visual cutoff for a glare-free appearance. Satin Haze reflector/White flange.

Reflector Finish

Available in Haze Reflector/White Ring White Reflector/White Ring, All Black and Clear Specular Reflector/White .

Power Connection

LED lamp array is replaceable via on board quick disconnect terminal. Meets CA Title 24 Requirements and other standards restricting the use of Medium Base or Bi-Pin Sockets.

Lumen Maintenance

Minimum 50,000 hours L70 life based on ANSI TM-21 calculations from LM80 standardized test results.

Junction Box

16 gauge pre-wired galvanized steel Junction Box, 32 cubic-inch for a maximum of (8) #12 AWG wires. Furnished with (6) 1/2", and (2) 3/4" knock-outs. Strain clamps to install or remove covers for easy access and ground wire.

Airflow

Airtight reflector design is designed to restrict air flow from room into plenums in compliance to the WSEC - Washington State Energy Code, (Less than 2.0 CFM -Cubic Feet per Minute).

Caution

LITON recommends use of surge protectors on the power entering LED Housings. Surge damage is not covered by warranty. (+1KV). Fixtures must be grounded in accordance with national, state and/or local electrical codes. Failure to do so may result in serious personal injury.

Certifications and Listings

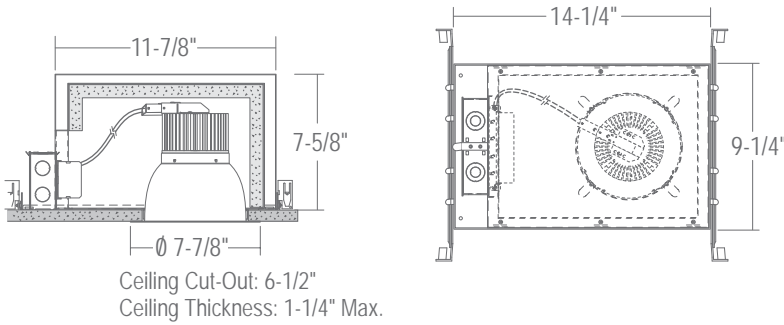
UL/cUL listed to UL1598 and UL8750. Suitable for dry, damp and wet locations. NYC approved: Calendar #41937.

Warranty

Covered by a 5-Year Warranty to be free of defects in materials and craftsmanship. Recommended for applications where ambient temperatures do not exceed 35°C, installations exceeding this temperature will result in reduced LED lamp life and a voided warranty.

LHFRLD6 - 6" C-SERIES IC FIRE-RATED DOWNLIGHT, 1000LM-2200LM (16W-27W)

- Patented dual-layer housing with one-hour fire rating
- IC Rated and Airtight
- Heavy Duty Self-Flanged Reflector
- Soft Even Lumen Distribution



ORDERING – Example: LHFRLD610UE-D10-EM2/CR6L22SW-T27

Housing	Driver	Driver Option	Reflector Finish	CCT																																																							
<table border="0"> <tr> <td style="text-align: center;">Housing</td> <td style="text-align: center;">Driver¹</td> <td style="text-align: center;">Driver Option</td> <td style="text-align: center;">Reflector Finish</td> <td style="text-align: center;">CCT</td> </tr> <tr> <td>1000LM (16W) LHFRLD610</td> <td></td> <td></td> <td>Satin Haze Reflector /White Finish /CR6L22SW</td> <td>2700K, 84 CRI -T27</td> </tr> <tr> <td>1500LM (22W) LHFRLD618</td> <td></td> <td></td> <td>White Reflector /White Finish /CR6L22WW</td> <td>3000K, 84 CRI -T30</td> </tr> <tr> <td>2200LM (27W) LHFRLD628</td> <td></td> <td></td> <td>All Black /CR6L22BB</td> <td>3500K, 84 CRI -T35</td> </tr> <tr> <td></td> <td></td> <td></td> <td>Clear Specular Reflector/White Finish /CR6L22CW</td> <td>4000K, 84 CRI -T40</td> </tr> <tr> <td></td> <td>0-10V Dimming UE-D10</td> <td></td> <td></td> <td></td> </tr> <tr> <td></td> <td>UniDim™ 0-10V ELV and Triac Dimming UE-DUN</td> <td></td> <td></td> <td></td> </tr> <tr> <td></td> <td></td> <td style="text-align: center;">Driver Option</td> <td></td> <td></td> </tr> <tr> <td></td> <td></td> <td>None Blank</td> <td></td> <td></td> </tr> <tr> <td></td> <td></td> <td>Emergency (10W) -EM2²</td> <td></td> <td></td> </tr> <tr> <td></td> <td></td> <td>Generator Transfer -GTD</td> <td></td> <td></td> </tr> </table>					Housing	Driver ¹	Driver Option	Reflector Finish	CCT	1000LM (16W) LHFRLD610			Satin Haze Reflector /White Finish /CR6L22SW	2700K, 84 CRI -T27	1500LM (22W) LHFRLD618			White Reflector /White Finish /CR6L22WW	3000K, 84 CRI -T30	2200LM (27W) LHFRLD628			All Black /CR6L22BB	3500K, 84 CRI -T35				Clear Specular Reflector/White Finish /CR6L22CW	4000K, 84 CRI -T40		0-10V Dimming UE-D10					UniDim™ 0-10V ELV and Triac Dimming UE-DUN						Driver Option					None Blank					Emergency (10W) -EM2²					Generator Transfer -GTD		
Housing	Driver ¹	Driver Option	Reflector Finish	CCT																																																							
1000LM (16W) LHFRLD610			Satin Haze Reflector /White Finish /CR6L22SW	2700K, 84 CRI -T27																																																							
1500LM (22W) LHFRLD618			White Reflector /White Finish /CR6L22WW	3000K, 84 CRI -T30																																																							
2200LM (27W) LHFRLD628			All Black /CR6L22BB	3500K, 84 CRI -T35																																																							
			Clear Specular Reflector/White Finish /CR6L22CW	4000K, 84 CRI -T40																																																							
	0-10V Dimming UE-D10																																																										
	UniDim™ 0-10V ELV and Triac Dimming UE-DUN																																																										
		Driver Option																																																									
		None Blank																																																									
		Emergency (10W) -EM2²																																																									
		Generator Transfer -GTD																																																									

¹ All drivers are 120V/277V unless otherwise noted.
² Access above ceiling required for EM2.

COMPATABILITY

VR800
Round Vandal Resistant Kit for 8"



P-CR672SW
Wall Wash for 6"



P-CR671W
6" Wall Wash
CR6 Accessory



CR6-GSKT
6" Commercial
Self-Adhesive Gasket



SPECIFICATION

Applications

Professional-grade IC fire-rated recessed LED downlight for medium to high ceilings in commercial and architectural spaces.

Fire Rating

Stops the progress of an active fire. Meets the fire-stop capabilities of a typical 5/8" gypsum board (drywall) barrier. Eliminates the requirement to specify more expensive fire-rated materials or the use of manually constructed drywall enclosures.

Patented dual-layer housing is constructed of 20-gauge aluminum designed to maintain the continuity of fire-rated ceiling assemblies, subject to UL classified L500 series fire rated assemblies rated for 1-hour. UL Certifications and Approvals for One-Hour Fire Rating: UL263, CAN/ULC S101-07, ASTM E119-00A, UBC7-1, NFPA 251 and ASI A2.1 under U.S. Patent.

Mounting

Housing suitable for new construction installations. Adjusts up to 1-1/4" ceiling thickness. Supplied with (2) 24" adjustable hanger bars. Hanger bars equipped with nail-less install 3/4" serrated barbed studs and with captive nails, for faster and easier secure mounting in wood joists. Set-screws lock into position and prevent shifting after installation. Trim is secured via positive retention friction clips.

Driver

120V/277V AC 50/60Hz Electronic Direct Current Class 2 driver integrally mounted on large access Junction Box. Power Factor > 0.90. Operating Temperature: -10°C to +80°C. Accessible from above or below ceiling.

(UE-D10) 0-10V dimming works with most 5-wire, 0-10V dimmers. Factory qualified for use with Leviton IP710-DLZ.

(UE-DUN) Uni-Dim™ dimming option is a universal dimming system that works with most 120V, 3-wire ELV, 2-wire incandescent, and 120V/277V, 5-wire 0-10V fluorescent dimmers.

Emergency Options

Emergency LED Battery Back-up available, remotely mounted adjacent to housing by installer. When AC power fails, the device immediately switches to the emergency mode, operating the LEDs for a minimum of 90 minutes. Remote test switch, and plate cover included. Optional Generator Transfer Device switches the driver to auxiliary generator power during the loss of normal AC power, (recommended for applications requiring individual circuit switching).

Color Temperature (CCT)

Available in 2700K, 3000K, 3500K and 4000K.

Insulation Contact

IC rated for direct insulation contact.

Thermal Management

Heat dissipation facilitated by the exposed integral aluminum heat sink to maximize heat rejection in an open-air environment. The recommended ambient temperature should be below 35°C to achieve a minimum L70 life of 50,000 hours according to the LM80 standard.

Reflector

One piece, self-flanged dual-reflector LED design enables a clean trim finish, without the need for a secondary trim ring. Heavy-gauge aluminum reflector prevents ugly dents during shipping and installation. Deeply mounted LED provides 50 degree visual cutoff for a glare-free appearance. Satin Haze reflector/White flange.

Reflector Finish

Available in Haze Reflector/White Ring White Reflector/White Ring, All Black and Clear Specular Reflector/White.

Power Connection

LED lamp array is replaceable via on board quick disconnect terminal. Meets CA Title 24 Requirements and other standards restricting the use of Medium Base or Bi-Pin Sockets.

Lumen Maintenance

Minimum 50,000 hours L70 life based on ANSI TM-21 calculations from LM80 standardized test results.

Junction Box

16 gauge pre-wired galvanized steel Junction Box, 32 cubic-inch for a maximum of (8) #12 AWG wires. Furnished with (6) 1/2", and (2) 3/4" knock-outs. Strain clamps to install or remove covers for easy access and ground wire.

Airflow

Airtight reflector design is designed to restrict air flow from room into plenums in compliance to the WSEC - Washington State Energy Code, (Less than 2.0 CFM -Cubic Feet per Minute).

Caution

LITON recommends use of surge protectors on the power entering LED Housings. Surge damage is not covered by warranty. (+1KV). Fixtures must be grounded in accordance with national, state and/or local electrical codes. Failure to do so may result in serious personal injury.

Certifications and Listings

UL/cUL listed to UL1598 and UL8750. Suitable for dry, damp and wet locations. NYC approved: Calendar #41937.

Warranty

Covered by a 5-Year Warranty to be free of defects in materials and craftsmanship. Recommended for applications where ambient temperatures do not exceed 35°C, installations exceeding this temperature will result in reduced LED lamp life and a voided warranty.