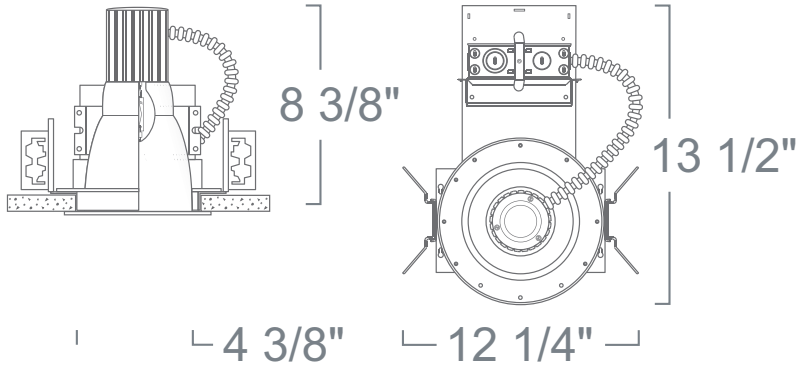


LHM4 - ARCHITECTURAL HOUSING

4" ARCHITECTURAL METAL HALIDE HOUSINGS



SPECIFICATION

HID 20W/39W PAR20/PAR30/ED17
MED E26

Application: Architectural-grade recessed downlight housing for low to medium height ceilings and commercial installations. A variety of trims, compatible styles and finishes are available to achieve the proper décor and illumination.

Housing Frame: 16 gauge galvanized plaster ring with powder coat finish, six friction clips secure trim to housing for ceilings up to 1 3/4" thick. Triple slot bat-wing hanger brackets accommodate multiple bar hanger systems.

Mounting: Housing suitable for new construction installations only, Bat-Wing bar hanger brackets adjust vertically 3 1/4" for multiple ceiling types and accepts 1/2" EMT, 26" C-Channel Strut for T-bar ceilings and 27" adjustable linear hanger bars for plaster ceilings or wood/metal joists. Heavy duty 16-gauge, die-formed galvanized steel. Bar hangers optional.

Ballast : High Power Factor electronic 120V 60Hz ballast. Provides up to 15% energy savings versus magnetic and increased lamp life. Class A sound rating. Thermal and transient protection. Min. starting temperature -20°C. THD less than 10%. Is accessible from above or below the ceiling. Contact Factory for detailed technical information.

Socket Cap: Extruded aluminum socket cap, 1 1/4" vertically adjustable socket arm with set screw which enables the use of multiple lamp types and repositioning to optimize lamp performance. Furnished with heat sink fins to vent lamp heat and extend lamp life. Accepts compatible reflector trims.

Socket: Pulse-Rated 4KV, standard porcelain medium screw base socket with high temperature leads and nickel-plated contacts.

Junction Box: 16 gauge pre-wired galvanized steel double Junction Box, 64 cubic-inch for a maximum of (8) #12 AWG wires. Furnished with (10) 3/4", (2) 1" and (8) Romex knock-outs. Strain clamps to install or remove covers for easy access and ground wire. Equipped with safety standard die-cast aluminum fitting for flex-conduit.

Insulation Contact: Non-IC rated housing must be kept 3" from insulation.

Safety Labels: ETL/CETL listed for through-branch wiring (16) No.12 AWG 90°C and suitable for damp and wet locations (when use with appropriate trim designs). NYC approved: Calendar #41937.

Warranty: Covered by a 3 Year Warranty to be free of defects in materials and craftsmanship.

Label: cETL Listed

Assembled in USA

COMPATIBILITY

 L270 LINEAR HANGER BAR SET	 LR404 BAFFLE W/ LENS	 LR466 DECO DOME BAFFLE
 LR477 DECO DOME REFLECTOR	 C260 C-CHANNEL HANGER BAR SET	 LR403 BAFFLED REFLECTOR
 C260-J ADJUSTABLE C-CHANNEL HANGER BAR SET	 LR402 REFLECTOR W/ LENS	

Note: Wattage limitations on compatible items must be met.

2016.6.14

FEATURE:



ORDERING EXAMPLE : LHM4020

LHM4	WATTAGE	VOLTAGE
LHM4	020 :20W	Blank :120V
	039 :39W	-27 :277V

ID#: 1318