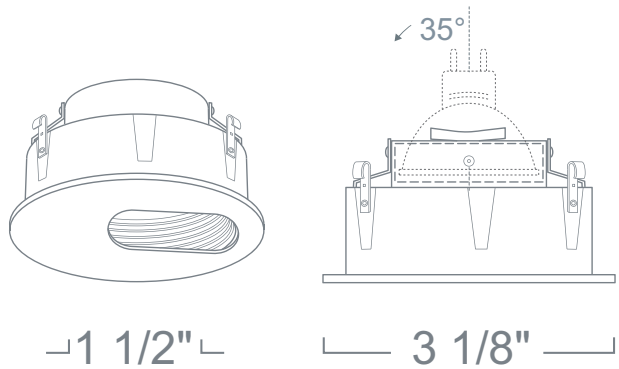


LR1220 - MICRO SLOT W/ BLACK BAFFLE

2" LOW VOLTAGE DOWNLIGHT DIE-CAST TRIMS



SPECIFICATION

12V 37W Max MR11 GU4

Application: The 2" Micro-Cast accent light is a perfect solution for low-profile design in hard-to-light spaces. They feature an adjustable lamp holder that allows for precise highlighting of desired objects. These low voltage downlight trims are constructed of high quality die-cast aluminum. Available in standard black & white, as well as popular designer finishes of Natural "Raw" Metal, Antique Copper & Mocha.





Gasket: Supplied with gasket to prevent light leakage and unsightly heat streaks on ceiling surface.

Lens Inclusion: Clear glass protective safety lens included in packaging.

Mounting: Steel pressure springs mounted on trim to ensure positive retention inside housing.

Trim Finish: Die-Formed Construction/ With inner black baffle to minimize glare. Available in White, Black, Natural Metal, Copper and Mocha.

COMPATIBILITY

 LH1299 NEW CONSTRUCTION (NON-IC)	 LH1299IC NEW CONSTRUCTION (IC)	 LH1299R REMODEL
 LHR1299 REMOTE HOUSING - NO TRANSFORMER		

Note: Wattage limitations on compatible items must be met.

2016.6.14

FEATURE:



ORDERING EXAMPLE : LR1220B

LR1220	TRIM FINISH
LR1220	W :White
	B :Black
	N :Natural Metal
	CO :Copper
	MO :Mocha

ID#: 1148