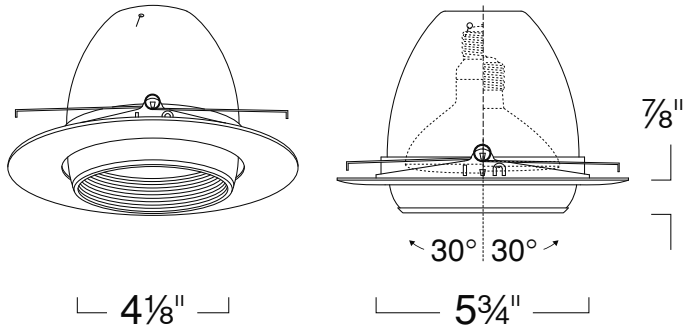


LR17 - ADJUSTABLE EYEBALL W/ BAFFLE

6" LINE VOLTAGE TRIMS



SPECIFICATION

120V 75W Max R30/PAR30L MED E26

Application: Accent lighting and wall-washing are the two applications for which eyeballs are commonly used. They can be aimed and adjusted to focus on specific objects or areas. These **eyeball** trim fixtures provide flexibility and versatility by doubling as both a downlight and as an accent light. They are an economic way to provide general and accent lighting with both vertical and horizontal aiming capabilities. Their large degrees of rotation result in both visual style and practical ergonomics.

Mounting: Steel pressure springs mounted on trim to ensure positive retention inside housing.

Baffle Finish: Available in White and Black.

Ring Finish: Phenolic Baffle helps eliminate stray light. Only available in White.

COMPATIBILITY



LH7

STANDARD E26 HOUSING



LH7IC

100W IC E26 HOUSING



LH7R

REMODEL E26 HOUSING

Note: Wattage limitations on compatible items must be met.

2023.04.17

FEATURE:



ORDERING EXAMPLE : LR17B

LR17 BAFFLE FINISH RING FINISH

LR17 B :Black Blank :White

ID#: 8