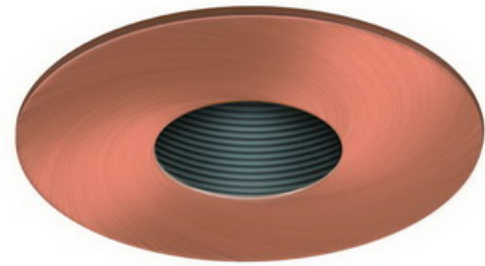
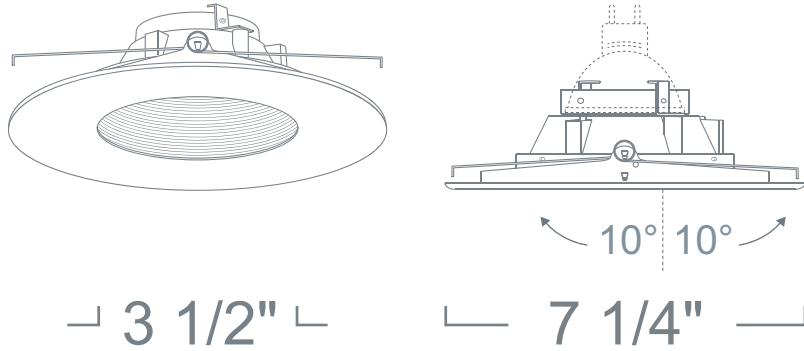


LR2693 - BAFFLE W/ NARROW APERTURE 6" LOW VOLTAGE TRIMS



SPECIFICATION

12V 75W Max MR16 GU5.3

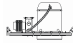
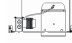


Application: Great for basic area lighting of a room or space, accommodating the type of lighting required to enhance its mood and decor. Narrow Aperture trims are best used when maximum lamp cut-off is desired to maximize a glare-free environment. Perfect for "Task Lighting" where a concentrated beam of light is needed to supplement surrounding light for a more effective work environment.

Mounting: Steel pressure springs mounted on trim to ensure positive retention inside housing.

Baffle Finish: Die-formed aluminum baffle ridges eliminate stray light. Available in White, Black, All Natural*, All Copper* and Mocha.

Ring Finish: Die-Formed Aluminum Trim Ring Available in White, Black, Natural and Copper.

COMPATIBILITY

 LH7LV STANDARD HOUSING 120V/277V	 LH7LVC IC HOUSING	 LH7RLV REMODEL HOUSING 120V/277V
 LK50 MR16 RETROFIT TRANSFORMER		

Note: Wattage limitations on compatible items must be met.

2016.6.14

FEATURE:



ORDERING EXAMPLE : LR2693W

LR2693	BAFFLE FINISH	RING FINISH	ACCESSORIES
LR2693	W :White	Blank :White	/L38 :Clear Lens
	B :Black	B :Black	/L40 :Yellow Lens
	N :All Natural*	N :Natural	/L41 :Blue Lens
	CO :All Copper*	CO :Copper	/L42 :Amber Lens
	MO :Mocha		/L43 :Green Lens
			/L44 :Daylight Blue Lens
			/L48 :Lens with Internal Louver Filter
			/L49 :Frosted Soft Focus
			/L50UV :UltraViolet Filter
			/L53 :Micro - Prismatic Spread Lens
			/L55 :Linear Spread Lens
			/LL16B :Black
			/LL16C :Clear

* Comes standard with a matching ring finish. Use "W" for White Ring.

ID# : 155