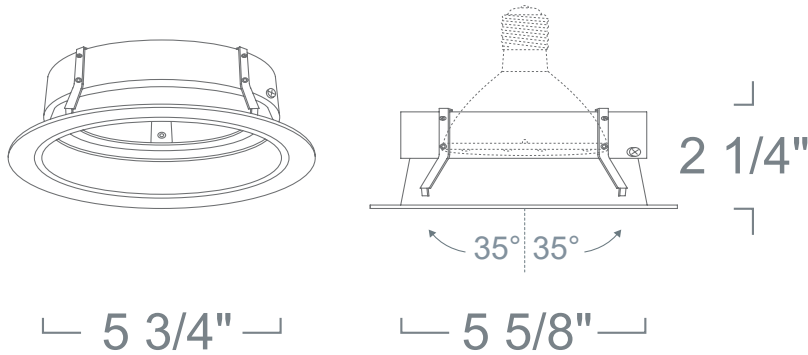


LR378 - ADJUSTABLE REFLECTOR

6" LINE VOLTAGE TRIMS



SPECIFICATION

120V 75W Max PAR30 MED E26

Application: Standard in residential adjustable illumination, the **gimbal** style trims provides flexibility and versatility from a single rotary axis. They double as both a downlight and as an accent light. They are an economical way to provide general and accent lighting with both vertical and horizontal aiming capabilities. Their large degrees of rotation result in both streamlined style and practical ergonomics. **PAR30** gimbals offer a smaller opening aperture, as well as a more controlled light beam for accenting objects. **Regressed** gimbal design conveniently helps shield lamp glare from surrounding environment.

Mounting: Steel pressure springs mounted on trim to ensure positive retention inside housing.

Reflector Finish: Spun Aluminum Reflector Available in Black and Clear.

Ring Finish: Die-Formed Aluminum Trim Ring Available in White, Black, Chrome, Gold, Natural, Copper and Mocha.

COMPATIBILITY

 LH27 STANDARD SHALLOW E26 HOUSING	 LH27R REMODEL SHALLOW E2 HOUSING	 LH7 STANDARD E26 HOUSING
 LH7IC 100W IC E26 HOUSING	 LH7R REMODEL E26 HOUSING	 LHFR7-QC IC FIRE RATED LED HOUSING

Note: Wattage limitations on compatible items must be met.

2016.7.27

FEATURE:



ORDERING EXAMPLE : LR378B

LR378	REFLECTOR FINISH	RING FINISH
LR378	B :Black C :Clear	Blank :White B :Black C :Chrome G :Gold N :Natural CO :Copper MO :Mocha

ID#: 16