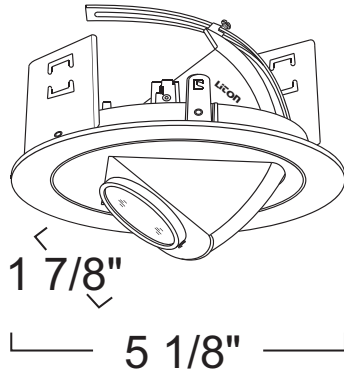


LR4168 - CMH-MR16 PULL-DOWN 4" MINI-ARC - ARCHITECTURAL HID TRIMS



SPECIFICATION

HID 20W/39W MR16 GX10

Application: Provides flexibility and versatility by doubling as both a downlight and as an accent light. This trim has a larger degree of rotation resulting in both visual style and practical ergonomics.

Socket: Pulse-Rated 4KV, porcelain Twist and Lock GX10 socket with high temperature leads and nickel-plated contacts.

Mounting: Steel pressure springs mounted on trim to ensure positive retention inside housing.

Warranty: Covered by a 3 Year Warranty to be free of defects in materials and craftsmanship.

Adjustability Lamp can be tilted 25° degrees vertically.

Fixture Finish: Available in White, Black and Natural Metal.

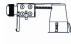

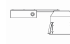

Accessories: Takes up to (2) Media.

Label: cETL Listed

Limitation: Not for use w/Shallow Housings.

Assembled in USA

COMPATIBILITY

 LHBM4 4" MINI-ARC REMODEL HOUSING	 LHBM4 4" MINI-ARC HID HOUSING	 LSHM4 4" SHALLOW REMODEL HOUSING
 LSHM4 4" SHALLOW MINI-ARC HID HOUSING		

Note: Wattage limitations on compatible items must be met.

2016.6.14

FEATURE:



ORDERING EXAMPLE : LR4168N

LR4168	FIXTURE FINISH
LR4168	W :White
	B :Black
	N :Natural Metal

ID#: 491