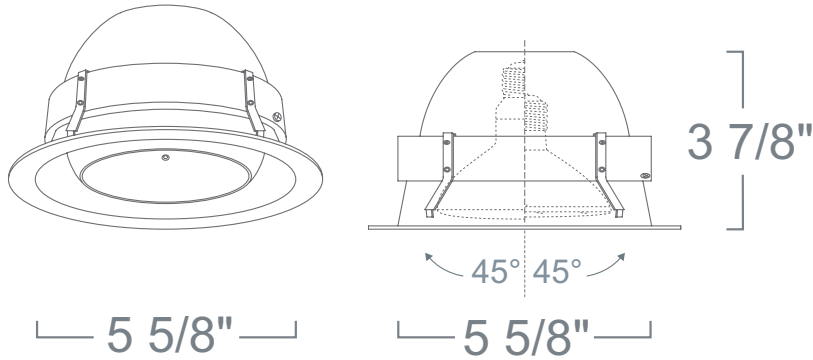


LR419 - REGRESSED EYEBALL W/ REFLECTOR

6" LINE VOLTAGE TRIMS



SPECIFICATION

120V 75W Max PAR30L/R30 MED E26

Application: Accent lighting and wall-washing are the two applications for which eyeballs are commonly used. They can be aimed and adjusted to focus on specific objects or areas. These **eyeball** trim fixtures provide flexibility and versatility by doubling as both a downlight and as an accent light. They are an economic way to provide general and accent lighting with both vertical and horizontal aiming capabilities. Their large degrees of rotation result in both visual style and practical ergonomics.

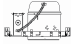
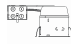
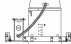

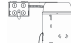
Regressed eyeball design conveniently helps shield lamp glare from surrounding environment.

Mounting: Steel pressure springs mounted on trim to ensure positive retention inside housing.

Reflector Finish: Available in White, Black and Satin Haze.

Ring Finish: Available in White, Black, Chrome, Gold, Natural, Copper and Mocha.

COMPATIBILITY

 LH27 STANDARD SHALLOW E26 HOUSING	 LH27R REMODEL SHALLOW E2 HOUSING	 LH7 STANDARD E26 HOUSING
 LH7IC 100W IC E26 HOUSING	 LH7R REMODEL E26 HOUSING	

Note: Wattage limitations on compatible items must be met.

2016.7.27

FEATURE:



ORDERING EXAMPLE : LR419W

LR419	REFLECTOR FINISH	RING FINISH
LR419	W :White	Blank :White
	B :Black	B :Black
	S :Satin Haze	C :Chrome
		G :Gold
		N :Natural
		CO :Copper
		MO :Mocha

ID# : 22