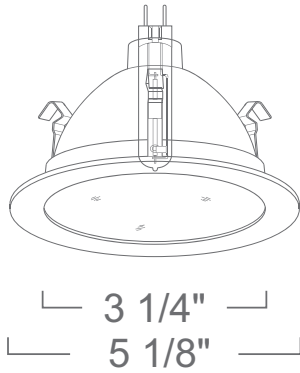


LR4217 - CDM-TM LENSED REFLECTOR 4" MINI-ARC - ARCHITECTURAL HID TRIMS



SPECIFICATION

HID 22W/35W CDM-tm BT-5 PGJ5

Application: Used for both general and accent lighting with excellent results. Allows for the precision lighting of miniature lamps in small areas such as niches and casework. This produces an environment with powerful illumination, yet without drawing attention to its source.

Socket: Pulse-Rated, porcelain twist and Lock PGJ5 socket with high temperature leads and nickel-plated contacts.

Mounting: Steel pressure springs mounted on trim to ensure positive retention inside housing.

Lamp Inclusion: Ceramic Metal Halide lamp can be supplied with product packaging, use the following ordering codes:
LLMTM-22: 20W CDM-tm, LLMTM-35: 35W TM

Warranty: Covered by a 3 Year Warranty to be free of defects in materials and craftsmanship.

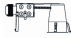

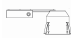

Ring Finish: Available in White, Black, Natural, Copper and Mocha.

Accessories: Takes (1) 3 11/16" Media.

Label: cETL Listed

Assembled in USA

COMPATIBILITY

 LHBM4 4" MINI-ARC REMODEL HOUSING	 LHBM4 4" MINI-ARC HID HOUSING	 LSHM4 4" SHALLOW REMODEL HOUSING
 LSHM4 4" SHALLOW MINI-ARC HID HOUSING		

Note: Wattage limitations on compatible items must be met.

2016.6.14

FEATURE:



ORDERING EXAMPLE : LR4217MO

LR4217	RING FINISH	RATING
LR4217	W :White B :Black N :Natural CO :Copper MO :Mocha	Blank :Damp Location -WL :Wet Location

ID#: 495