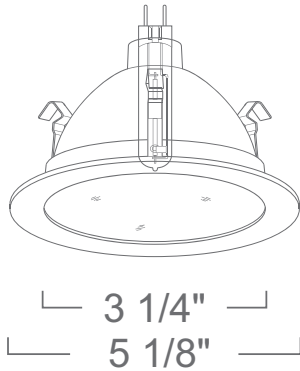


## LR4417 - CDM-T4.5 LENSED REFLECTOR 4" MINI-ARC - ARCHITECTURAL HID TRIMS



### SPECIFICATION

HID 20W/39W CDM-T4.5 G8.5

**Application:** Used for both general and accent lighting with excellent results. Allows for the precision lighting of miniature lamps in small areas such as niches and casework. This produces an environment with powerful illumination, yet without drawing attention to its source.

**Socket:** Pulse-Rated 4KV, porcelain bi-bin G8.5 socket with high temperature leads and nickel-plated contacts.

**Mounting:** Steel pressure springs mounted on trim to ensure positive retention inside housing.

**Lamp Ordering:** Ceramic Metal Halide lamp can be supplied with product packaging, use the following ordering codes:  
LLMT4-20: 20W T4, LLMT4-39: 39W T4  
Add "-T30" for 3,000K, "-T42" for 4,200K

**Warranty:** Covered by a 3 Year Warranty to be free of defects in materials and craftsmanship.

**Ring Finish:** Available in White, Black, Copper, Mocha and Natural.

**Accessories:** Takes (1) 3 11/16" Media.

**Label:** cETL Listed

**Limitation:** Not for use w/Shallow Housings.

**Assembled in USA**

### COMPATIBILITY



LHBM4

4" MINI-ARC REMODEL HOUSING



LHBM4

4" MINI-ARC HID HOUSING

Note: Wattage limitations on compatible items must be met.

2016.6.14

### FEATURE:



ORDERING EXAMPLE : LR4417W

LR4417	RING FINISH	RATING
LR4417	<b>W</b> :White <b>B</b> :Black <b>CO</b> :Copper <b>MO</b> :Mocha <b>N</b> :Natural	<b>Blank</b> :Damp Location <b>-WL</b> :Wet Location

ID#: 1567