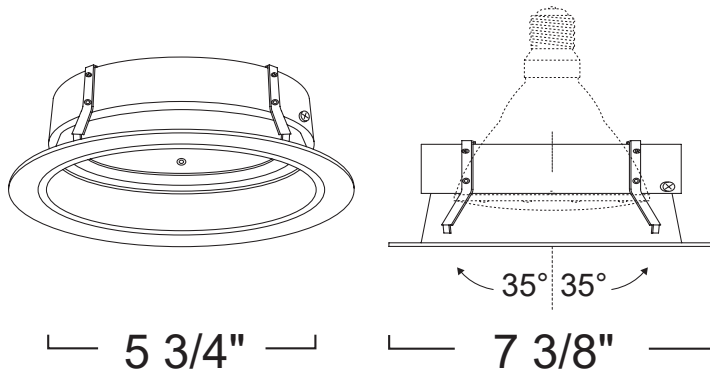


LR478 - ADJUSTABLE REFLECTOR

6" LINE VOLTAGE TRIMS



SPECIFICATION

120V 150W Max PAR38 MED E26

Application: The standard in residential adjustable illumination, the gimbal design provides flexibility and versatility from a single rotary axis. It doubles as both a downlight and as an accent light. They are an economic way to provide general and accent lighting with both vertical and horizontal aiming capabilities. Their large degrees of rotation result in both streamlined style and practical ergonomics.

PAR38 gimbals offer higher wattages accenting object far away objects.

Regressed gimbal design conveniently helps shield lamp glare from surrounding environments.

Mounting: Steel pressure springs mounted on trim to ensure positive retention inside housing.

Reflector Finish: Spun Aluminum Reflector Available in White, Black, Clear and All Natural*.

Ring Finish: Die-Formed Aluminum Trim Ring Available in White, Black, Chrome, Gold, Natural, Copper and Mocha.

COMPATIBILITY

<p>LH7</p>	<p>LH7IC</p>	<p>LH7R</p>
<p>STANDARD E26 HOUSING</p>	<p>100W IC E26 HOUSING</p>	<p>REMODEL E26 HOUSING</p>
<p>LHFR7-QC</p>		
<p>IC FIRE RATED LED HOUSING</p>		

Note: Wattage limitations on compatible items must be met.

2016.7.27

FEATURE:



ORDERING EXAMPLE : LR478W

LR478	REFLECTOR FINISH	RING FINISH
LR478	W :White	Blank :White
	B :Black	B :Black
	C :Clear	C :Chrome
	N :All Natural*	G :Gold
		N :Natural
		CO :Copper
		MO :Mocha

* Comes standard with a matching ring finish. Use "W" for White Ring.

ID# : 26