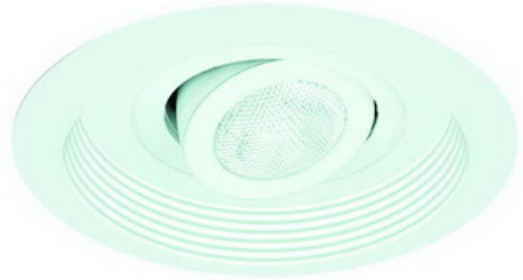
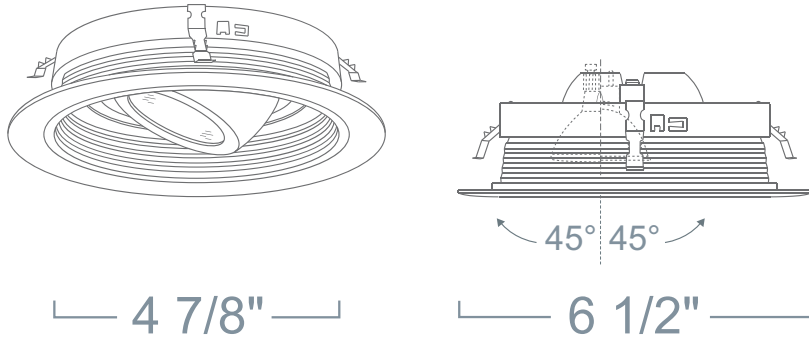


LR588 - ADJUSTABLE SPOT W/ BAFFLE

5" LINE VOLTAGE TRIMS



SPECIFICATION

120V 75W Max JDR-MR16 MED E26

Application: The MR16 adjustable trim combines the aiming capabilities of a small aperture trim while maintaining appearance of the 5" trim. These trims have a large degree of rotation that allows for pinpoint illumination in an accent lighting application. The MR16 lamp has a controlled beam spread that produces the level of light intensity needed to properly highlight an object.

Mounting: Steel pressure springs mounted on trim to ensure positive retention inside housing.

Adjustability Lamp can be tilted 45° degrees vertically and rotated 358° degrees horizontally.

Baffle Finish: Die-formed aluminum baffle ridges eliminate stray light. Available in White, Black and All Natural*.

Ring Finish: Die-Formed Aluminum Trim Ring Available in White, Black, Natural and Copper.

Label: UL Listed, cETL Listed

COMPATIBILITY



LHS
**STANDARD NEW
 CONSTRUCTION
 HOUSING**



LHSR
**STANDARD REMODEL
 HOUSING**

Note: Wattage limitations on compatible items must be met.

2016.6.14

FEATURE:



ORDERING EXAMPLE : LR588W

LR588	BAFFLE FINISH	RING FINISH
W	:White	Blank :White
B	:Black	B :Black
N	:All Natural*	N :Natural
		CO :Copper

* Comes standard with a matching ring finish. Use "W" for White Ring.

ID#: 97