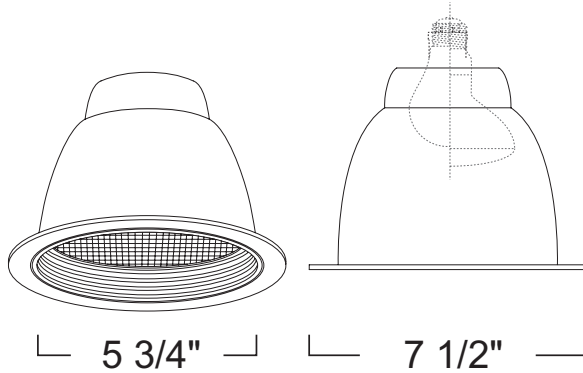


LR674 - BAFFLE W/ PRISMATIC LENS 6" INCANDESCENT TRIMS



SPECIFICATION

120V 150W Max PAR30/PAR38/A19/
 A21 MED E26

Application: Architectural-grade recessed downlight reflector for low to medium height ceilings for commercial and architectural installations. Reflector designed for minimal glare from lamp without sacrificing lumen output. Regressed tempered glass lens allows for special control of light output. Protects lamp while reducing lamp image.

Mounting: Pre-punched key holes allow mounting of socket cap assembly for housing, with vertically adjustable socket cap. Reflector held in place with 6 steel pressure springs mounted on housing frame.

Suitable for Damp and Wet Location Installations.

Warranty: Covered by a 3 Year Warranty to be free of defects in materials and craftsmanship.

Baffle / Flange Finish: One piece low-iridescent aluminum spun reflector with seem less self-flanged ring and an integrally formed baffle in lower part of reflector to reduce glare and stray light Available in Natural Baffle/Natural Flange, White Baffle/White Flange, Black Baffle/White Flange, Copper Baffle/Copper Flange and Mocha Baffle/Mocha Flange.

Glass: Quality tempered glass adds a decorative element Available in Prismatic Lens, Albalite, Center-Frost™, Clear and Frosted.

Label: UL Listed, cETL Listed

Assembled in USA

COMPATIBILITY



LH600

ARCHITECTURAL
HOUSING



LH600R

REMODEL
ARCHITECTURAL
HOUSING

Note: Wattage limitations on compatible items must be met.

2016.6.14

FEATURE:



ORDERING EXAMPLE : LR674BWF-AL

LR674	BAFFLE / FLANGE FINISH	GLASS
LR674	NNF :Natural Baffle/Natural Flange	Blank :Prismatic Lens
	WWF :White Baffle/White Flange	-AL :Albalite
	BWF :Black Baffle/White Flange	-CF :Center-Frost™
	COCOF :Copper Baffle/Copper Flange	-CL :Clear
	MOMOF :Mocha Baffle/Mocha Flange	-FR :Frosted

ID# : 555