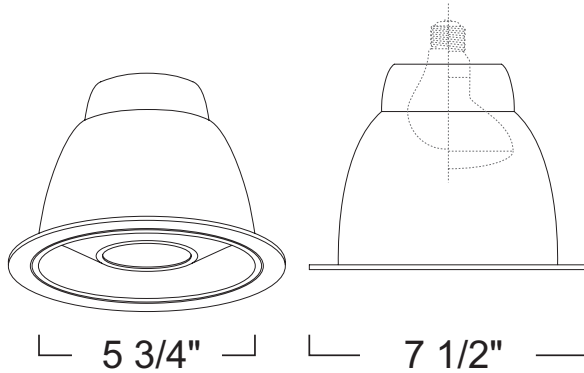


## LR676 - REFLECTOR W/ GLASS ACCENT 6" INCANDESCENT TRIMS



### SPECIFICATION

120V 150W Max PAR30/PAR38/A19/  
 A21 MED E26

**Application:** Architectural-grade recessed downlight reflector for low to medium height ceilings for commercial and architectural installations. Reflector designed for minimal glare from lamp without sacrificing lumen output. Decorative glass accent brings style and elegance to any decor. Reduces lamp image while adding a subtle decorative element to architecture.

**Mounting:** Pre-punched key holes allow mounting of socket cap assembly for housing, with vertically adjustable socket cap. Reflector held in place with 6 steel pressure springs mounted on housing frame.

**Warranty:** Covered by a 3 Year Warranty to be free of defects in materials and craftsmanship.

**Reflector / Flange Finish:** One piece spun low-iridescent aluminum reflector with seem less self-flanged ring Available in Clear Reflector/Natural Flange, Clear Reflector/White Flange, Satin Haze Reflector/Natural Flange and White Reflector/White Flange.

**Glass:** Quality tempered glass adds a decorative element Available in Amber and Blue.

**Label:** UL Listed, cETL Listed

Assembled in USA

### COMPATIBILITY



LH600

ARCHITECTURAL  
 HOUSING



LH600R

REMODEL  
 ARCHITECTURAL  
 HOUSING

Note: Wattage limitations on compatible items must be met.

2016.6.14

### FEATURE:



ORDERING EXAMPLE : LR676SNF-BL

LR676	REFLECTOR / FLANGE FINISH	GLASS
LR676	CNF :Clear Reflector/Natural Flange	-AM :Amber
	CWF :Clear Reflector/White Flange	-BL :Blue
	SNF :Satin Haze Reflector/Natural Flange	
	WWF :White Reflector/White Flange	

ID#: 558