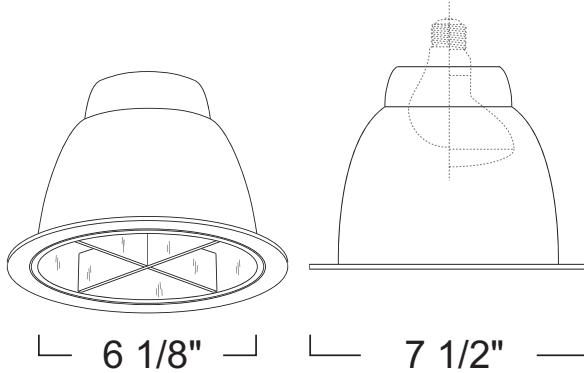


## LR678 - CROSS BLADE REFLECTOR

### LH660 SERIES - 6" LIGHT COMMERCIAL INCANDESCENT TRIMS



#### SPECIFICATION

120V 150W Max PAR30/PAR38/A19/  
 A21 MED E26

**Application:** Light commercial recessed downlight housing for medium to high ceilings for commercial and high-end residential installations. A variety of compatible trim styles and finishes are available to achieve the proper illumination.

**Mounting:** Pre-punched key holes allow mounting of socket cap assembly for housing, with vertically adjustable socket cap. Reflector held in place with 6 steel pressure springs mounted on housing frame.

**Reflector Finish:** One piece spun low-iridescent aluminum reflector with seem less self-flanged ring Available in White, Clear and Satin Haze.

**Ring Finish:** Available in Black and White.

**Label:** UL Listed, cETL Listed

#### COMPATIBILITY



LH660

LIGHT COMMERCIAL  
 HOUSING

Note: Wattage limitations on compatible items must be met.

2016.6.14

#### FEATURE:



ORDERING EXAMPLE : LR678C

LR678	REFLECTOR FINISH	RING FINISH
LR678	<b>W</b> :White	<b>Blank</b> :White
	<b>C</b> :Clear	<b>B</b> :Black
	<b>S</b> :Satin Haze	

ID#: 1535