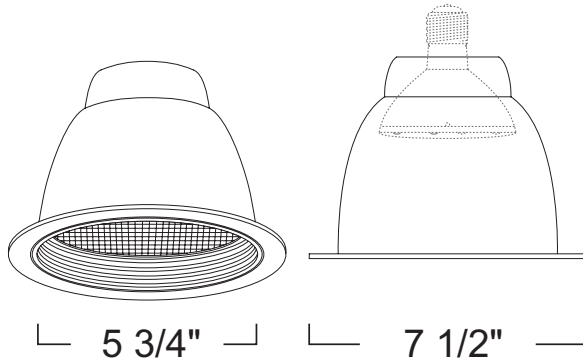


LR714 - BAFFLE W/ LENS 6" HID TRIMS



SPECIFICATION

*HID 100W Max PAR30/PAR38/ED17/
 B17 MED E26*

Application: Architectural-grade recessed downlight reflector for low to medium height ceilings for commercial and architectural installations. Reflector designed for minimal glare from lamp without sacrificing lumen output. Regressed tempered glass lens allows for special control of light output. Protects lamp while reducing lamp image.

Mounting: Pre-punched key holes allow mounting of socket cap assembly for housing, with vertically adjustable socket cap. Reflector held in place with 6 steel pressure springs mounted on housing frame.

Suitable for Damp and Wet Location Installations.

Warranty: Covered by a 3 Year Warranty to be free of defects in materials and craftsmanship.

Baffle / Flange Finish: One piece low-iridescent aluminum spun reflector with seem less self-flanged ring and an integrally formed baffle in lower part of reflector to reduce glare and stray light Available in Black Baffle/White Flange, Copper Baffle/Copper Flange, Mocha Baffle/Mocha Flange, Natural Baffle/Natural Flange and White Baffle/White Flange.

Glass: Quality tempered glass adds a decorative element Available in Prismatic Lens, Center-Frost™, Clear and Frosted.

Label: UL Listed, cETL Listed

Assembled in USA

COMPATIBILITY



LHM7

**ARCHITECTURAL
 HOUSING
 (ELECTRONIC)**



LHM7R

**REMODEL
 ARCHITECTURAL
 HOUSING**

Note: Wattage limitations on compatible items must be met.

2016.6.14

FEATURE:



ORDERING EXAMPLE : LR714BWF-CL

LR714	BAFFLE / FLANGE FINISH	GLASS
LR714	BWF :Black Baffle/White Flange	Blank :Prismatic Lens
	COCOF :Copper Baffle/Copper Flange	-CF :Center-Frost™
	MOMOF :Mocha Baffle/Mocha Flange	-CL :Clear
	NNF :Natural Baffle/Natural Flange	-FR :Frosted
	WWF :White Baffle/White Flange	

ID#: 519