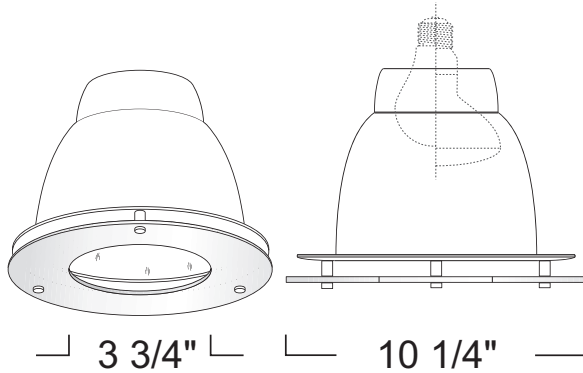


## LR8071 - REFLECTOR W/ GLASS RING 8" INCANDESCENT TRIMS



### SPECIFICATION

120V 250W Max PAR38/ A19/ A21  
 MED E26

**Application:** Architectural-grade recessed downlight reflector for high ceilings for commercial and architectural installations. Reflector designed for minimal glare from lamp without sacrificing lumen output. Decorative glass accent brings style and elegance to any decor. Reduces lamp image while adding a subtle decorative element to architecture.

**Mounting:** Pre-punched key holes allow mounting of socket cap assembly for housing, with vertically adjustable socket cap. Reflector held in place with 6 steel pressure springs mounted on housing frame.

**Warranty:** Covered by a 3 Year Warranty to be free of defects in materials and craftsmanship.

**Reflector / Flange Finish:** One piece spun low-iridescent aluminum reflector with seem less self-flanged ring Available in Clear Reflector/Clear Flange, Clear Reflector/Natural Flange, Clear Reflector/White Flange, Satin Haze Reflector/Satin Haze Flange and White Reflector/White Flange.

**Glass:** Quality tempered glass adds a decorative element Available in Blue and Frosted.

**Label:** UL Listed, cETL Listed

**Assembled in USA**

### COMPATIBILITY



LH800

ARCHITECTURAL  
 HOUSING



LH800R

REMODEL  
 ARCHITECTURAL  
 HOUSING

Note: Wattage limitations on compatible items must be met.

2016.6.14

### FEATURE:



ORDERING EXAMPLE : LR8071 CCF-BL

LR8071	REFLECTOR / FLANGE FINISH	GLASS
LR8071	<b>CCF</b> :Clear Reflector/Clear Flange	<b>-BL</b> :Blue
	<b>CNF</b> :Clear Reflector/Natural Flange	<b>-FR</b> :Frosted
	<b>CWF</b> :Clear Reflector/White Flange	
	<b>SSF</b> :Satin Haze Reflector/Satin Haze Flange	
	<b>WWF</b> :White Reflector/White Flange	

ID#: 571