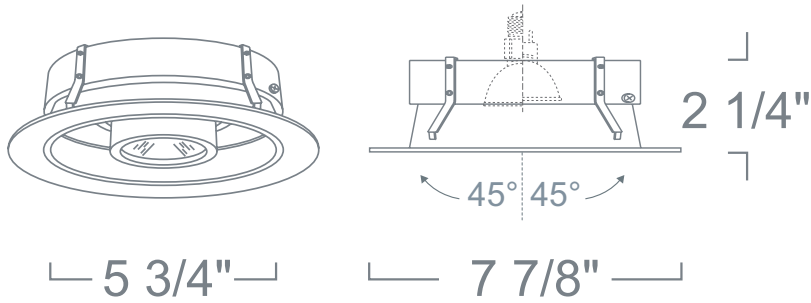


LR911 - SLOPED SPOT W/ REFLECTOR

6" LINE VOLTAGE SLOPED TRIMS



SPECIFICATION

120V 50W Max JDR-MR16 MED E26

Application: The elliptical reflector design allows the lamp to be adjusted up to 45 degrees. Also available is the eyeball trim with 45 degrees of adjustability in two directions, which makes this trim ideal for most standard slope and vaulted ceiling applications.

Mounting: Steel pressure springs mounted on trim to ensure positive retention inside housing.

Adjustability Lamp can be tilted 45° degrees vertically and rotated 358° degrees horizontally.

Reflector Finish: Spun Aluminum Reflector Only available in Black.

Ring Finish: Die-Formed Aluminum Trim Ring Only available in White.

Label: UL Listed, cETL Listed

COMPATIBILITY



LH471CA

SLOPED CEILING HOUSING

Note: Wattage limitations on compatible items must be met.

2016.6.14

FEATURE:



ORDERING EXAMPLE : LR911B

LR911	REFLECTOR FINISH	RING FINISH
LR911	B :Black	Blank :White

ID# : 78