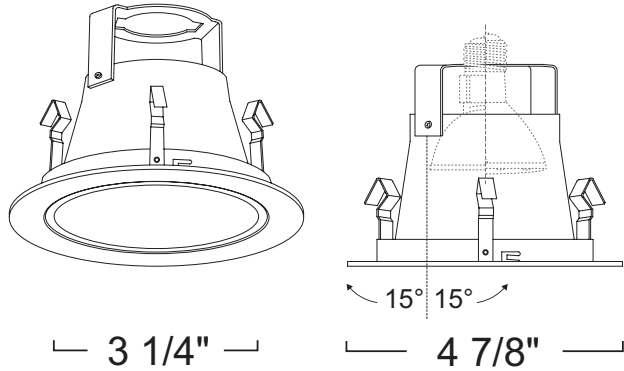


LR987 - ADJUSTABLE REFLECTOR 4" LINE VOLTAGE TRIMS



SPECIFICATION

120V 50W Max PAR20 MED E26

Application: The adjustable reflector trim incorporates the use of a socket bridge to create the maximum aiming angle. This trim excels in wall washing applications when the light source needs to be hidden.

Mounting: Steel pressure springs mounted on trim to ensure positive retention inside housing.

Reflector Finish: Spun Aluminum Reflector Available in White, Black, Clear, Gold, All Copper*, All Mocha* and Satin Haze.

Ring Finish: Die-Formed Aluminum Trim Ring Available in White, Black, Chrome, Gold, Natural, Copper and Mocha.

COMPATIBILITY



LH99

STANDARD E26
HOUSING



LH99IC

IC DOUBLE WALL E26
HOUSING



LH99R

REMODEL E26
HOUSING

Note: Wattage limitations on compatible items must be met.

2016.7.27

FEATURE:



ORDERING EXAMPLE : LR987W

LR987	REFLECTOR FINISH	RING FINISH
LR987	W :White	Blank :White
	B :Black	B :Black
	C :Clear	C :Chrome
	G :Gold	G :Gold
	CO :All Copper*	N :Natural
	MO :All Mocha*	CO :Copper
	S :Satin Haze	MO :Mocha

* Comes standard with a matching ring finish. Use "W" for White Ring.

ID#: 116