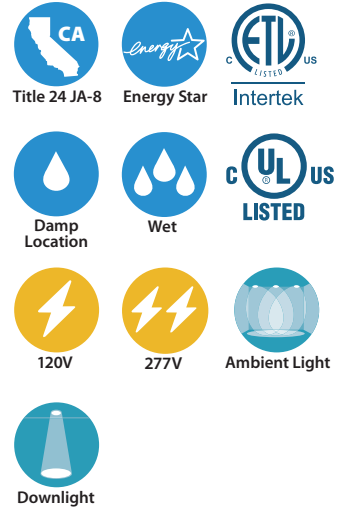
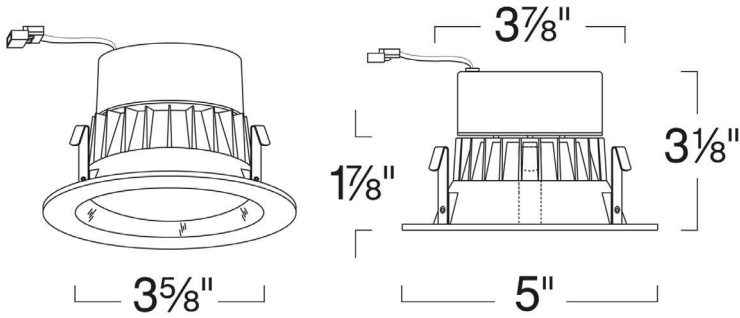


LREBLD402 : 4" GENERAL PURPOSE LED REFLECTOR FLAT LENS (DIMMABLE) 800LM/1000LM (10W/16W)



- Fully die-cast for long lasting beauty
- Trims are UL listed for wet locations
- Quick Ship Item - Readily Available
- 90 CRI Standard

ORDERING : LREBLD402W-T27

LREBLD402

Fixture	Finish	Voltage	Color Temperature	Lumens	Adapter			
White Reflector / White Ring	W	Non-Dimming (120V)	Blank	2700K	-T27	800 Lumen (10W) Blank	None	Blank
			UE¹	3000K	-T30	1000 Lumen (16W) -L10	Med Base	/SQG4-MED
		ELV and Triac Dimming (120V/277V)	UE-D10	3500K	-T35			
				4000K	-T40			
				5000K	-T50			
				ColorSelect 2700K/ 3000K/3500K/ 4000K/5000K	-TS2750			

¹ (UE) dimming option is only available with (-T27), (-T35), and (-T40).

SPECIFICATION**Application**

4" General Purpose LED Trim with GU24 Base is perfect for Retrofit, New Construction and Remodel Applications in low to medium height ceilings.

Mounting

Mounts into standard 4" General Purpose Recessed housing cans with steel pressure springs mounted on trim to ensure positive retention inside housing. Alternate mounting methods available, consult factory.

Power Connection

Comes standard with GU24 socket mounted to top of fixture. Meets CA Title 24 Requirements and other standards restricting the use of Medium base or Bi-Pin Sockets.

Lumen Maintenance

Minimum 50,000 hours L70 life based on ANSI TM-21 calculations from LM80 standardized test results.

Thermal Management

Effective thermal dissipation facilitated by integral cast-aluminum, finned heat sink design for maximum heat rejection to provide long LED life.

Driver

Electronic Direct Current driver mounted on fixture.

Dimming

Smoothly dims down to 5% of initial light output with flicker-free performance. Works with standard incandescent dimmers. Factory qualified for use with Lutron brand dimmers: S600PR, DCSCCL-153P, & DV600PR as well as Leviton IP106-600W. Works with standard electronic low voltage (ELV) dimmers. Factory qualified for use with Lutron brand dimmers: SELV300P, DVELV-300P, MAELB-600, and NELV-450.

Safety Labels

ETL/CETL listed. UL listed for wet location. NYC approved Calendar #41937. High Efficacy Luminaire Certified by the California Energy Commission (CEC) as Title 24/JA8 Compliant.

Wet Location

Suitable for Wet Location Installations.

Warranty

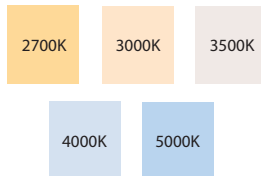
Covered by a 3-Year Warranty to be free of defects in materials and craftsmanship. Recommended for applications where ambient temperatures do not exceed 35°C, installations exceeding this temperature will result in reduced LED lamp life and a voided warranty.

SPECIFICATION (Continued)

Finish

Only available in White Reflector/ White Ring.

Color Temperature



Available in 2700K, 3000K, 3500K, 4000K, 5000K and Color Select.

Label

UL Listed, cETL Listed

Title 24/JA8 Compliant

LREBLD402_-T27
LREBLD402_-T30
LREBLD402_-T35
LREBLD402_-T40
LREBLD402_-T50