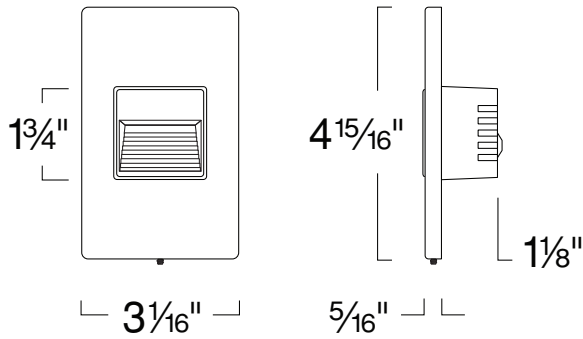


LSLD73 : VERTICAL RECTANGULAR BAFFLE LED PATHWAY/STEP LIGHT



- Ready To Ship
- US Assembled
- Intertek
- ADA Compliant
- Wet
- IP65
- CAN BE USED TO COMPLY WITH T24 2016 JA-8 (6)
- Outdoor
- 120V

- Die Cast Construction
- Sleek screw-less face plate
- Direct wiring, long leads
- No remote driver required
- Dimmable down to 5% with ELV Dimmers

ORDERING : LSLD73BB-TAM-12VDC

LSLD73

Fixture Finish Color Temperature

Finish		Color Temperature	
All Black	BB	2850K (84 CRI) (120V)	Blank
All White	WW	3500K (84 CRI) (120V)	-T35
		590nm Amber LED (12VDC)	-TAM-12VDC

2025.07.16

Custom RAL Color: Please note that we appreciate custom finishes. Custom finishes are subject to a special paint setup fee for the quantity ordered. Extended lead times may apply. Consult Factory.

SPECIFICATION

Application

Low level illumination of pathways, aisles and lower egress in residential and commercial applications. Louver design shields the lamp source to eliminate glare.

Mounting

Step Light mounts to a standard depth (1-1/2") single-gang junction box. No specialized or proprietary housing required. Faceplate is secured with a set-screw on lower edge.

Dimming

Works with standard electronic low voltage (ELV) dimmers. Factory qualified for use with Lutron brand dimmers: SELV300P, DVELV-300P, MAELV-600 and NELV-450.

Lumen Maintenance

Minimum 50,000 hours L70 life based on ANSI TM-21 calculations from LM80 standardized test results.

Thermal Management

Effective thermal dissipation facilitated by integral cast-aluminum, finned heat sink design for maximum heat rejection to provide long LED life.

Color Temperature

Comes standard with 2850K Warm White LED's binned according to ANSI C78 377A for color temperature and chromaticity ranges.

Warranty

Covered by a 3-year warranty to be free of defects in materials or craftsmanship.

Listing



ETL / cETL Listed. Assembled in USA. IP65 Rated.

ADA compliant and suitable for installation within 4ft of the ground.

Finish

Seamless and screw-less die-cast aluminum faceplate. Available in All Black and All White.

LED Details

3.5W 240 + Lumens Delivered

Color Rendering Index (CRI): 80

Color Temperature: 2850K

Lamp Equivalents: 10W Incandescent