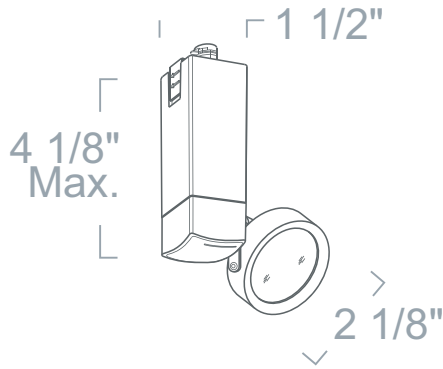


LT2719 - VERTICAL GIMBAL 2 CIRCUIT / 2 NEUTRAL TRACK LUMINARIES



SPECIFICATION

12V 50W MR16 GU5.3

Application: The most popular style of all is the gimbal design. With their low profiles, these fixtures have minimal dimensions, and best of all they won't cramp your budget. They are a perfect fit for highlighting artwork in a residence, items in a gallery or retail items in a store.

Connector: Factory Installed specification grade 2-circuit 2-Neutral track connector.

Transformer: Solid state electronic transformer for voltage reduction and noiseless operation. 120V/60Hz input – 12V output. 50 VA max. load. (Unless specified otherwise) For dimming, use electronic low voltage rated dimming controls. When using dimmer controls, it is recommended to fully power lamps without dimming for 50+ hours to maximize halogen lamp life.

Socket: 2-pin porcelain socket with aluminum heat sink plate. Lamp clips to trim to ensure proper and consistent positioning.

Finish: Only available in Black.

Label: UL Listed

COMPATIBILITY



LP20

SURFACE TRACK



LP20

RECESSED TRACK

Note: Wattage limitations on compatible items must be met.

2016.6.14

FEATURE:



ORDERING EXAMPLE : LT2719B

LT2719 FINISH
LT2719 B :Black

ID#: 1966