

LT381 : ARCHLITE

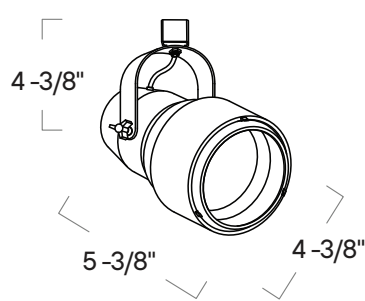
3 CIRCUIT / 1 NEUTRAL TRACK LUMINAIRES



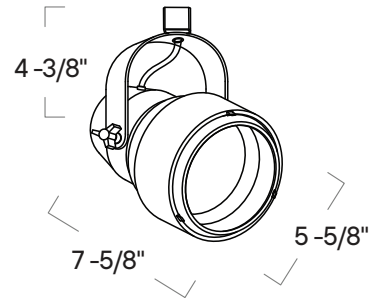
• Precision design ensures firm positioning



• Durable high quality powder coat paint



LT2815



LT2816

ORDERING : LT3815B-12

Fixture		Finish		Stem Extension	
Fixture	LT3815	Finish		Stem Extension	
Archlite 30 (75W) PAR30	LT3815	White	W	None	Blank
Archlite 38 (250W) PAR38	LT3816	Black	B	12"	-12
				18"	-18
				24"	-24
				36"	-36
				48"	-48

COMPATIBLE ITEMS

LP30
Recessed Track

LP30
Surface Track

LP944
Barndoor Shutters and Accessory holder (For LT3816 only)



SPECIFICATION**Application**

Very popular in high-end residential and retail environments. These professional grade track fixtures are fully adjustable and their position locking knobs and front-loading designs make them a perfect fit for the most demanding applications. Durable high quality powder coat paint ensures long life with little color fatigue over the years.

Mounting:

Factory Installed specification grade 3-circuit 1-Neutral track connector.

Lumen Maintenance:

Minimum 50,000 hours L70 life based on ANSI TM-21 calculations from LM80 standardized test results.

Aiming Mechanism:

High strength steel mounting yoke to provide full lateral and vertical aiming. Dual triangular plastic tightening knobs rigidly maintain aiming angle.

Electrical Components

Thermal Management:

Effective thermal dissipation facilitated by integral aluminum heat sink for maximum heat rejection to provide long LED life.

Finishes

Available in White and Black.

Socket

Standard porcelain medium screw base socket with high temperature leads.

Certifications and Listings

UL listed.

Caution

Fixtures must be grounded in accordance with national, state and/or local electrical codes. Failure to do so may result in serious personal injury.

Warranty

Covered by a 3-Year Warranty to be free of defects in materials and craftsmanship. Recommended for applications where ambient temperatures do not exceed 35°C (95°F), installations exceeding this temperature will result in reduced LED lamp life and avoided warranty.