

LT38 : GIMBAL

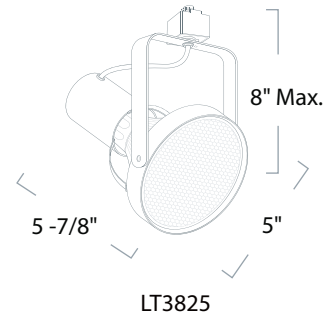
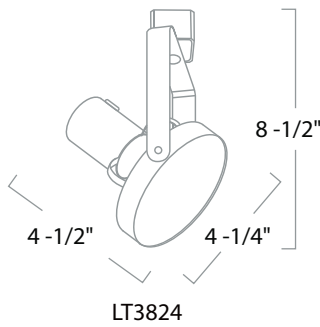
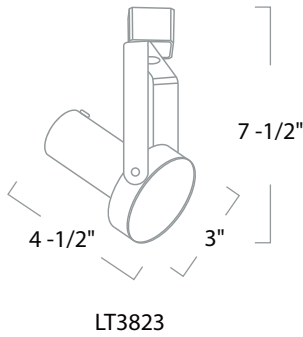
3 CIRCUIT / 1 NEUTRAL TRACK LUMINAIRES



• Factory Installed specification grade 3-circuit 1-neutral track connector

• Standard porcelain medium screw base socket

• High strength steel yoke with dual fasteners and friction washers to rigidly maintain aiming angle



ORDERING : LT3823W-12

Fixture		Finish		Stem Extension	
Fixture	LT3823	Finish		Stem Extension	
Gimbal 20 (50W) PAR20	LT3823	White	W	None	Blank
Gimbal 30 (75W) PAR30	LT3824	Black	B	12"	-12
Gimbal 38 (150W) PAR38	LT3825	Natural Metal	N	18"	-18
		Copper Metal	CO	24"	-24
				36"	-36
				48"	-48

2025.08.06

SPECIFICATION**Application**

The most popular style of all is the gimbal. With their low-profile design, these fixtures have minimal dimensions and best of all they won't cramp your budget. They are a perfect fit for highlighting artwork in a residence, items in a gallery or retail items in a store. These classic designs are traditionally styled favorites of line voltage lighting.

The Front Loading series is designed for quick and easy lamp replacement without the need to reposition the fixture after replacing the lamp.

Mounting: Factory Installed specification grade 3-circuit 1-neutral track connector.

Socket: Standard porcelain medium screw base socket with high temperature leads

Certifications and Listings

UL listed.

Aiming Mechanism

High strength steel yoke with dual fasteners and friction washers to rigidly maintain aiming angle. Optional extensions.

Caution

Fixtures must be grounded in accordance with national, state and/or local electrical codes. Failure to do so may result in serious personal injury.

Warranty

Covered by a 3-Year Warranty to be free of defects in materials and craftsmanship. Recommended for applications where ambient temperatures do not exceed 35°C (95°F), installations exceeding this temperature will result in reduced LED lamp life and avoided warranty.