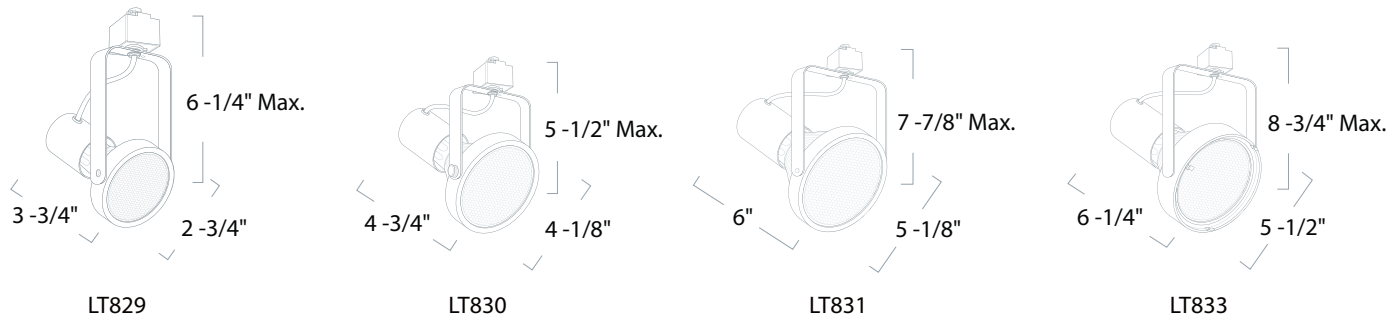


LT8 : GIMBAL RING

LINE VOLTAGE TRACK FIXTURES



ORDERING : LT829W-2C2N

Fixture	Finish	Connector Options
Fixture	Finish	Connector Options⁴
Gimbal Ring 20 (50W) PAR20	LT829	White W^{1,2}
Gimbal Ring 30 (75W) PAR30	LT830	Bright-White W-2^{3,4}
Gimbal Ring 38 (150W) PAR38	LT831	Black B^{3,4}
Gimbal Ring 38 with Clips (150W) PAR38	LT833	Natural Metal N⁴
		1CCT/1NT Connector Blank
		2CCT/2NT Connector -2C2N
		3CCT/1NT Connector -3C1N

¹ Not available for LT829.
² Not available for LT830.
³ Not available for LT831.
⁴ Not available for LT833.

COMPATIBLE ITEMS



2025.08.05

SPECIFICATION**Application**

The most popular style of all is the gimbal. With their low-profile design, these fixtures have minimal dimensions and best of all they won't cramp your budget. They are a perfect fit for highlighting artwork in a residence, items in a gallery or retail items in a store. These classic designs are traditionally styled favorites of line voltage lighting.

Mounting:

Comes standard with 3-Wire H-Type thermo-plastic track connections. Fixture is factory preset for installation on single-circuit track. Contacts may be easily adjusted to install on two-circuit track via pull-up tab. J-Type and L-Type connections are available with extended lead times - consult factory.

Socket:

Standard porcelain medium screw base socket with high temperature leads

Certifications and Listings

UL listed.

Aiming Mechanism

High strength steel yoke with dual fasteners and friction washers to rigidly maintain aiming angle. Optional extensions.

Caution

Fixtures must be grounded in accordance with national, state and/or local electrical codes. Failure to do so may result in serious personal injury.

Warranty

Covered by a 3-Year Warranty to be free of defects in materials and craftsmanship. Recommended for applications where ambient temperatures do not exceed 35°C (95°F), installations exceeding this temperature will result in reduced LED lamp life and avoided warranty.