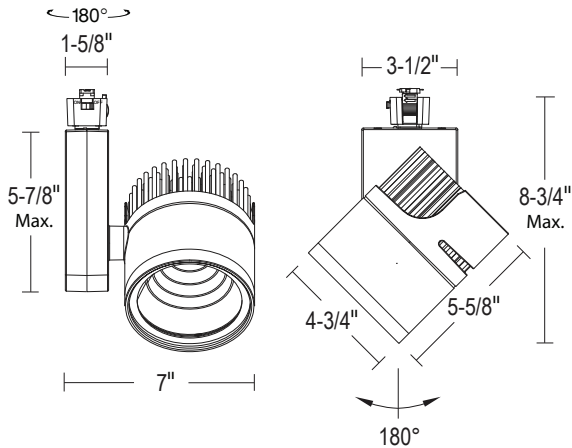
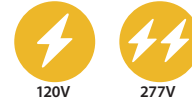


LTD7460 : APOLLO 60

LED TRACK HEAD 6000LM (60W)



- Fully die-cast for high quality, long-lasting beauty
- 3 beam spread options for fine tuning footcandle distribution
- Powerful 6000 lumen output lights objects and spaces near and far
- T4 & T6 performance in a long life, cool running LED track head
- Available with Tool-less field changeable optics

ORDERING : LTD7460B-DLV-B15-T27

LTD7460

Fixture	Finish	Control	Beam Spread	Color Temperature	Accessories	Connector Option	
	Finish	Control	Beam Spread	Color Temperature		Option	
All Black	B	120V Non-Dimming	Blank	Spot	-B15	2700K (90 CRI) -T27	None Blank
Bright White/ Black Heat Sink	W	ELV Dimming	-DLV	Narrow Flood	-B25	3000K (90 CRI) -T30	MR16 Hex Louver -LVR¹
		277V Non-Dimming	-27	Flood	-B45	3500K (90 CRI) -T35	
						4000K (90 CRI) -T40	Connector Option
							1CCT/1NT Connector Blank
							2CCT/2NT Connector -2C2N
							3CCT/1NT Connector -3C1N

2025.04.25

¹Special Order
 Available with 277V input & Multi-Circuit Track. Consult Factory.

SPECIFICATION

Application

High Output architecturally-styled APOLLO LED Trackhead is perfect for applications where powerful lumen output is required. Fully die-cast with integrated heatsink, hardware and wiring for a sleek unobtrusive appearance. APOLLO combines long-lasting beauty and energy efficiency with intense lumen output. Excels at delivering maximum footcandles to objects, spaces and features from longer distances. Ideal for Retail and Commercial applications.

Connector

LITON track fixtures come standard with 3-Wire H-Type track connections. Fixture is factory preset for installation on single-circuit track. J-Type and L-Type connections are available with extended lead times - consult factory.

Optics

Color Temperature:

Available in 2700K, 3000K, 3500K and 4000K. LEDs binned to within 3-Step MacAdam Ellipses (SDCM) and surpasses the ANSI C78 377A standard for color deviation.



Beam Spread:

Multifaceted glare reducing anodized reflector held in place with die-cast aluminum holder. Available in Flood, Narrow Flood and Spot. Optical reflectors can be ordered separately. Use part #: RL-AP50-FL, RL-AP50-NF, RL-AP50-SP.

Lumen Maintenance:

Minimum 50,000 hours L70 life based on ANSI TM-21 calculations from LM80 standardized test results.

SPECIFICATION (Continued)**Thermal Management**

Effective thermal dissipation facilitated by integral aluminum heat sink for maximum heat rejection to provide long LED life.

Driver

Electronic Constant Current driver integrally mounted in fixture casing.

Control

Low Voltage dimming option (-DLV) works with standard Electronic Low Voltage Dimmers. Factory qualified for use with LUTRON Brand Dimmers: SELV-300P, VELV-300P, NELV-450 along with 3-Way versions. (-DLV) Dimming Option also compatible with Grafik Eye Dimming Interface ELVI-1000, smoothly dims down as low as 10% of initial light output with flicker-free operation.

Finish



Available in All Black (B), and Bright White/Black Heat Sink(W).

Safety Labels

ETL/cETL listed.

Caution

Fixtures must be grounded in accordance with national, state and/or local electrical codes. Failure to do so may result in serious personal injury.

Warranty

Covered by a 5-Year Warranty to be free of defects in materials and craftsmanship. Recommended for applications where ambient temperatures do not exceed 35°C, installations exceeding this temperature will result in reduced LED lamp life and a voided warranty.