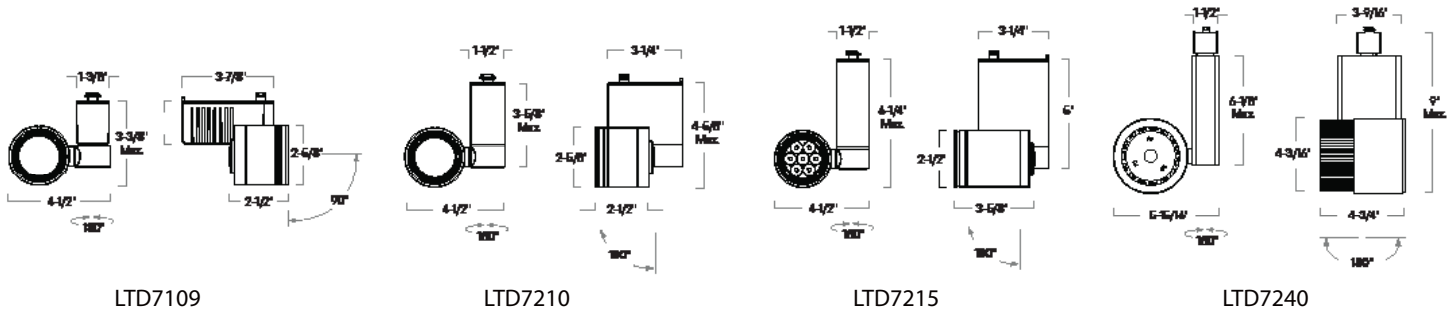
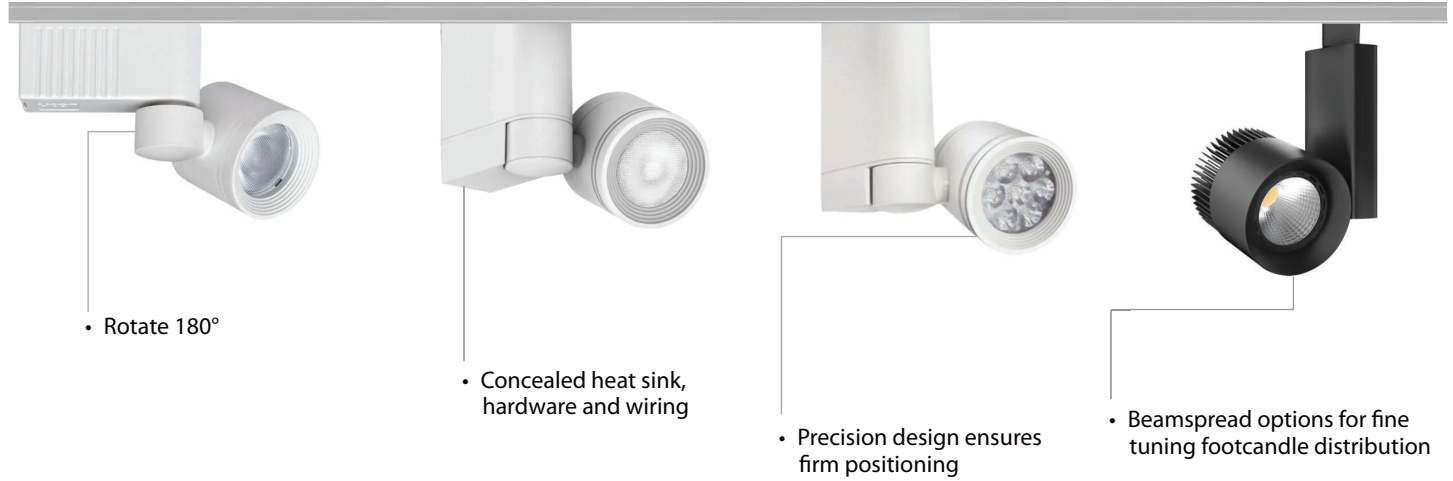


LTD7 : AZTEC

LED TRACK HEAD 420LM - 3000LM (9W - 40W)



ORDERING : LTD7109B-DLV

Fixture		Finish		Beam Spread		Extension		Control	
Fixture		Finish		Beam Spread ¹		Extension ^{1,5}		Control	
420lm 9W	LTD7109	White (3000K)	W	45° Flood	Blank⁵	None	Blank	Non-Dimming	Blank¹
420lm 10W	LTD7210	White (4000K)	W-T40³	10° Narrow Spot	-B10^{4,5}	12"	-12	Dimming	-DLV⁵
1000lm 15W	LTD7215	Black (3000K)	B²	25° Narrow Spot	-B25^{2,5}	24"	-24		
3000lm 40W	LTD7240			For LTD7240 Only		36"	-36		
				18 Spot	-B18⁶	48"	-48		
				30° Narrow Flood	-B30⁶				
				50° Flood	-B50⁶				

¹ Not available for LTD7109.
² Not available for LTD7210.
³ Only available for LTD7215.
⁴ Not available for LTD7215.
⁵ Not available for LTD7240.
⁶ Only available for LTD7240.

COMPATIBLE ITEMS



**LP02/LP04/LP06
 LP08/LP12**
 2', 4', 6', 8', 12'
 1 CCT Track Channel



**LPC02/LPC04/LPC06
 LPC08/LPC12**
 2', 4', 6', 8', 12'
 2 CCT Track Channel



LL16
 MR16 Hex Louver
 (Only for LTD7210)

SPECIFICATION**Application**

High Output architecturally-styled AZTEC LED Trackhead is perfect for applications where powerful lumen output is required. Fully die-cast with integrated heatsink, hardware and wiring for a sleek unobtrusive appearance. Its cosmetic design is similar to other Aztec track products and combines long-lasting beauty and energy efficiency with intense lumen output. Excels at delivering maximum footcandles to objects, spaces and features from longer distances. Ideal for Retail and Commercial applications.

Mounting:

Track fixtures come standard with 3-Wire H-Type track connections. Fixture is factory preset for installation on single-circuit track. J-Type and L-Type connections are available with extended lead times - consult factory.

Lumen Maintenance:

Minimum 35,000 hours L70 life based on ANSI TM-21 calculations from LM80 standardized test results.

Electrical Components

Thermal Management:

Effective thermal dissipation facilitated by integral aluminum heat sink for maximum heat rejection to provide long LED life.

Driver:

Electronic Constant Current driver integrally mounted in fixture casing.

Color Temperature:

Available in 3000K (80 CRI).

Finishes

High quality powder coat finish for maximum durability. Available in Black and White.

Control

Low Voltage dimming option (-DLV) works with standard Electronic Low Voltage Dimmers. Factory qualified for use with LUTRON Brand Dimmers: SELV-300P, VELV-300P, NELV-450 along with 3-Way versions. (-DLV) Dimming Option also compatible with Grafik Eye Dimming Interface ELVI-1000, smoothly dims down as low as 10% of initial light output with flicker-free operation.

SPECIFICATION (Continued)

Certifications and Listings

UL listed. Suitable for dry locations only

Caution

Fixtures must be grounded in accordance with national, state and/or local electrical codes. Failure to do so may result in serious personal injury.

Warranty

Covered by a 3-Year Warranty to be free of defects in materials and craftsmanship. Recommended for applications where ambient temperatures do not exceed 35°C (95°F), installations exceeding this temperature will result in reduced LED lamp life and avoided warranty.