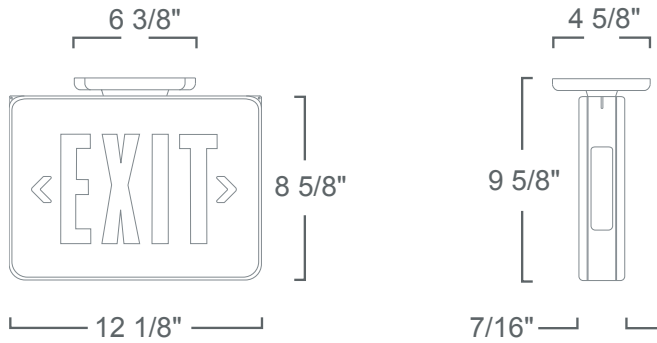


LX850 - ALUMINUM LED EXIT SIGN - NO BATTERY EXIT SIGNS



SPECIFICATION

120V/277V LED

FEATURES

- Compact, low profile design in black/brushed metal finish.
- LED 120/277V Exit sign for economy applications. LED lamp life is 25 years.
- Double or single face configuration.
- Single blank face plate included for single face applications.
- 6" letters with high color diffuser panel.
- Very energy efficient (Less than 2 watts for red letters and less than 1 watt for green letters).
- Completely self-contained. Installs in minutes with only a screwdriver.
- Universal mounting canopy for end, top, or back mount installations. Consult factory.
- Die cast aluminum brushed metal housing.
- Easily removable/re-attachable (snap-out) arrow covers to point direction(s).
- Available in 1-circuit or 2-circuit configurations (LX850 model only).
- Dual Voltage AC 120V/277V.
- UL/ETL listed.

Fixture Finish: Only available in Thermo Plastic White.

Faces: Only available in Single.

Letters: Available in Green and Red.

of Circuits: Only available in 2-Circuit.

Label: UL Listed

COMPATIBILITY



LT2780

**DIE-CAST SQUARE
 BEAM PROJECTOR**

Note: Wattage limitations on compatible items must be met.

2016.6.14

FEATURE:



ORDERING EXAMPLE : LX850G-2

LX850	FIXTURE FINISH	FACES	LETTERS	# OF CIRCUITS
LX850	Blank :Thermo Plastic White	Blank :Single	G :Green R :Red	-2 :2-Circuit

ID#: 667