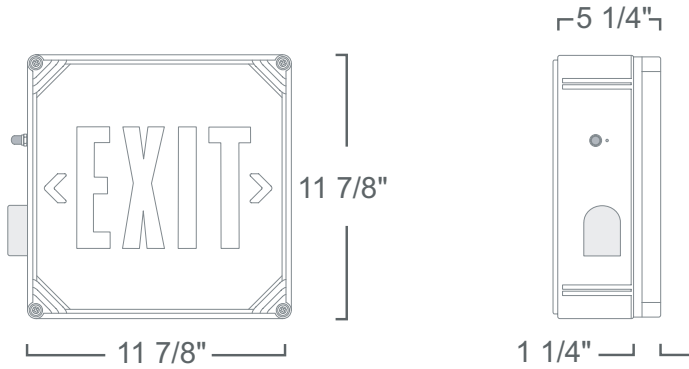


## LXD2 - WET LOCATION / OUTDOOR LED EXIT SIGN EXIT SIGNS



### SPECIFICATION

120V/277V LED

#### FEATURES

- Available in AC only or with battery back up.
- Green or red letters.
- Very energy efficient (Less than 2 watts for red letters and less than 1 watt for green letters).
- LED lamp life of 80 years.
- Completely self-contained.
- Injection molded, V-5 flame retardant, high impact, thermoplastic housing.
- Easily removable/re-attachable arrow covers to point direction(s).
- Nickel Cadmium battery.
- Dual Voltage AC 120V/277V.
- Water splash and corrosion resistant enclosure.
- Wet location listed. (ETL)

#### OPERATION

Unit is constantly illuminated by normal AC power. Whenever normal AC current fails, the internal solid state transfer switch automatically connects the internal battery to the LED lamps inside the exit sign to keep it continuously lighted for **90 minutes**. When the AC power is restored, the battery is recharged by the on board solid state recharger. The process will be completed within 12 hours.

#### WARRANTY

The fixture and internal battery carry a warranty for a period of one year to be free from defective material and workmanship. The battery is also pro-rated for a 5-year period when operated at normal temperatures.

**Letters:** Available in Green and Red.

**Label:** UL Listed

2016.6.14

#### FEATURE:



ORDERING EXAMPLE : LXD2150G

LXD2	BATTERY OPTION	LETTERS
LXD2	150 :AC Only	<b>G</b> :Green
	200 :w/ Battery	<b>R</b> :Red

ID# : 669