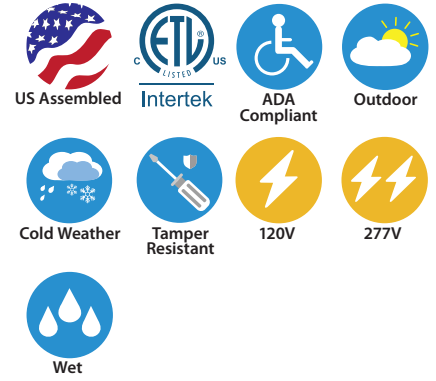
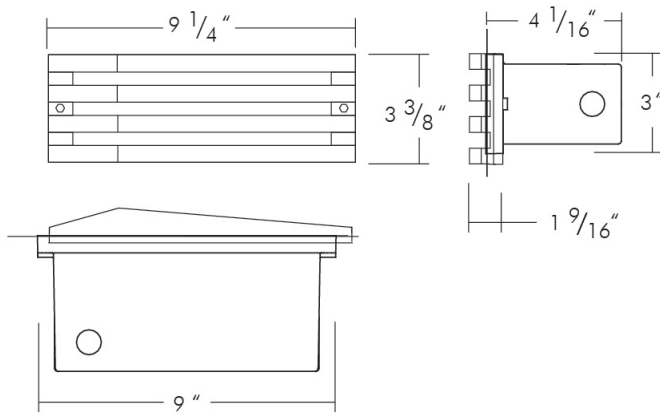


SL633 : PROTRUDED LOUVER FACEPLATE LED PATHWAY/STEP LIGHTING (11W)



- High Quality Die-Cast Construction
- High 80 CRI
- 120V/277V Option
- 5-Year Warranty
- 32W CFL Equivalent

ORDERING : SL633BUE-T30

SL633

Fixture Finish Options Color Temperature

Finish	Options	Color Temperature
Black B	120V	Blank 3000K (83 CRI) -T30
White W	120V/277V	UE 3500K (83 CRI) -T35³
Silver N¹	120V/277V	UE-DUN 4000K (83 CRI) -T40
Bronze BZ¹	2-Wire, ELV & 0-10V Dimming	RGB+W Control -RGBW²

¹ Special Order Finish. Minimum order quantity (MOQ) applies. Orders less than MOQ are subject to a special paint set-up fee for the quantity ordered. Extended lead times may apply. Consult Factory.

² Special Order. Minimum amount required and extended lead times may apply.

³ (-T35) 3500K is not available with (UE-DUN) dimming option.

Custom RAL Color: Please note that we appreciate custom finishes. Custom finishes are subject to a special paint setup fee for the quantity ordered. Extended lead times may apply. Consult Factory.

SPECIFICATION

Application

Recessed Wall Luminaire designed for commercial, architectural, and residential installation. Designed to conform to the architectural requirements for low mounting heights for the illumination of steps, stairways, walkways, aisles, ramps and other indoor and outdoor applications. Can be mounted vertically.

Housing

Constructed of high grade die cast aluminum with an integral wiring compartment and silicone gasket. Four (4) threaded holes (1/2-14 NPSM) and mounting tabs provided.

Faceplate

Rectangular angled louver one-piece die cast aluminum faceplate and semitranslucent UV stabilized polycarbonate opal lens. Faceplate can be ordered with either a two (2) screw holes (9-1/4" W x 3-3/8" H) or four (4) screw holes "-4H" (10-1/4" W x 3-15/16" H) for captive, tamper resistant, stainless steel screws.

Electrical

120V/277V Modular LED Engine (Field Replaceable) Consult Factory for dimming and sensor options.

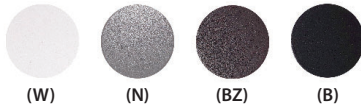
Minimum Operating Temperature:

Standard: -10°C/14°F

Cold Weather Option: (UE-DUN) -30°C/-22°F

Finish

Available in Black, White, Silver and Bronze.



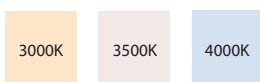
Listing

ETL /cETL Listed, suitable for wet location and for all types of constructions including mounting within 1.2 m (4 feet) of the ground, use in poured concrete, Type IC, Type Non-IC. ADA compliant. Assembled in USA. (IP65).

Warranty

Covered by a 5-Year Warranty to be free of defects in materials and craftsmanship.

Color Temperature



Available in 3000K, 3500K, 4000K, and Color Changing.

SPECIFICATION (Continued)

LED Details

9W 1000 lamp
120 delivered lumens
Color Rendering Index (CRI): 83
Lamp Equivalents: A19 32W CFL