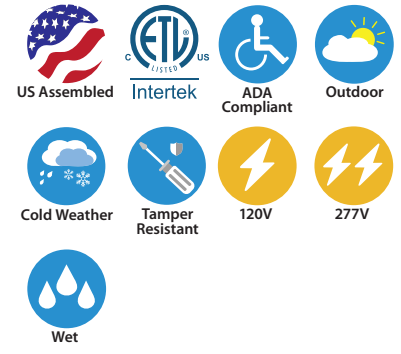
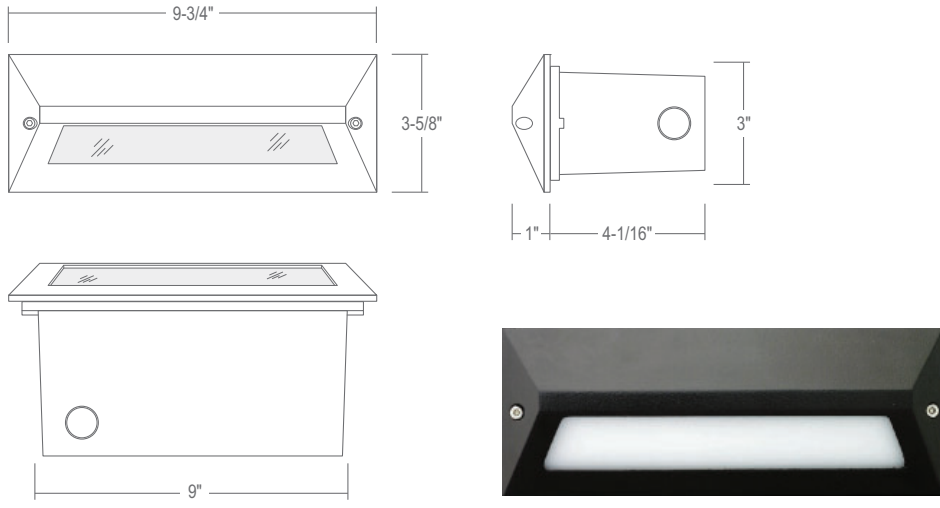


# SL650 : HALF LID FACEPLATE LED STEP LIGHT

## LED PATHWAY/STEP LIGHTING (9W)



- High Quality Die-Cast Construction
- High 83 CRI
- 120V/277V Option
- 5-Year Warranty
- 32W CFL Equivalent



### ORDERING : SL650B-T30

SL650		Mounting		Finish		Options		Color Temperature	
Fixture	(2) Hole	Blank	Black	B	120V	Blank	3000K (83 CRI)	-T30	
			White	W	120V/277V	UE	3500K (83 CRI)	-T35 <sup>3</sup>	
			Silver	N <sup>1</sup>	120V/277V	UE-DUN	4000K (83 CRI)	-T40	
			Bronze	BZ <sup>1</sup>	2-Wire, ELV & 0-10V Dimming		RGB+W Control	-RGBW <sup>2</sup>	

<sup>1</sup>Special Order Finish. Minimum order quantity (MOQ) applies. Orders less than MOQ are subject to a special paint set-up fee for the quantity ordered. Extended lead times may apply. Consult Factory.

<sup>2</sup>Special Order. Minimum amount required and extended lead times may apply.

<sup>3</sup>(-T35) 3500K is not available with (UE-DUN) dimming option.

Custom RAL Color: Please note that we appreciate custom finishes. Custom finishes are subject to a special paint setup fee for the quantity ordered. Extended lead times may apply. Consult Factory.

2025.02.19

### SPECIFICATION

#### Application

---

Recessed Wall Luminaire designed for commercial, architectural, and residential installation. Designed to conform to the architectural requirements for low mounting heights for the illumination of steps, stairways, walkways, aisles, ramps and other indoor and outdoor applications. Can be mounted vertically.

#### Housing

---

Constructed of high grade die cast aluminum with an integral wiring compartment and silicone gasket. Four (4) threaded holes (1/2-14 NPSM) and mounting tabs provided.

#### Faceplate

---

Rectangular open one-piece die cast aluminum faceplate and semi-translucent UV stabilized polycarbonate opal lens. Faceplate is installed by two (2) captive, tamper resistant, stainless steel screws.

#### Electrical

---

120V/277V Modular LED Engine (Field Replaceable) Consult Factory for dimming and sensor options.

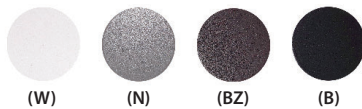
Minimum Operating Temperature:

Standard: -10°C/14°F

Cold Weather Option: (UE-DUN) -30°C/-22°F

#### Finish

---



Available in Black, White, Silver and Bronze.

#### Listing

---

ETL /cETL Listed, suitable for wet location and for all types of constructions including mounting within 1.2 m (4 feet) of the ground, use in poured concrete, Type IC, Type Non-IC. ADA compliant. Assembled in USA. (IP65).

#### Warranty

---

Covered by a 5-Year Warranty to be free of defects in materials and craftsmanship.

#### Color Temperature

---

Available in 3000K, 3500K, 4000K, and Color Changing.





# SL650 : HALF LID FACEPLATE LED STEP LIGHT

## LED PATHWAY/STEP LIGHTING (9W)

### SPECIFICATION (Continued)

#### LED Details

---

9W 1000 lamp  
120 delivered lumens  
Color Rendering Index (CRI): 83  
Lamp Equivalents: A19 32W CFL